



ASSESSMENT and
QUALIFICATIONS
ALLIANCE

Mark scheme

June 2003

GCSE

Electronics

3432

Foundation

Copyright © 2003 AQA and its licensors. All rights reserved.

Foundation Tier

- 1 (a) top to bottom on diagram, earth wire✓
live wire✓
fuse✓
cord grip✓ (4)
- (b) (i) green/yellow✓
(ii) brown✓
(iii) blue✓ (3)
- (c) (i) neutral wire✓
(ii) ensure no bare wire showing/ put further into terminal✓
(iii) fuse has too large a value✓ (3)

(10 marks)

- 2 LED✓ output✓
thermistor✓ input✓
lamp✓ output✓
LDR✓ input✓
loudspeaker✓ output✓

(10 marks)

- 3 (a) (i) temperature sensor✓
(ii) display✓
(iii) amplifier✓
(iv) latch✓ (4)
- (b) (i) amplifier or ADC✓
(ii) latch✓
(iii) temperature sensor✓ (3)
- (c) (i) amplifier✓
(ii) display✓
(iii) latch✓ (3)

(10 marks)

- 4 (a) top to bottom on diagram OR✓
AND✓
NAND✓ (3)

(b)

A	B	C	D	Q
0	0	0	1	0
0	1	1	1	1
1	0	1	1	1
1	1	1	0	0

✓✓ ✓✓ ✓✓

(2 per col, -1 per error)

(6)

- (c) middle tank✓ (1)

(10 marks)

- 5 (a) (i) light emitting diode / LED ✓
gives off light ✓
(ii) diode ✓
allows current one way only ✓
0.7V ✓ (5)
- (b) resistor ✓
5 ✓ 6 ✓ 000Ω ✓
10% ✓ (5)

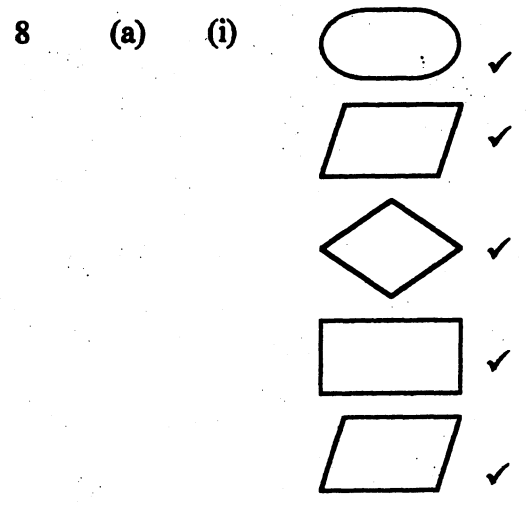
(10 marks)

- 6 (a) amplifier ✓ (1)
- (b) (i) loudspeakers ✓
(ii) cassette deck ✓
(iii) tuner ✓ (3)
- (c) (i) converts radio waves ✓ into electrical signals ✓
(ii) selects wanted channel ✓ rejects other channels ✓
(iii) converts modulated wave ✓ into audio signal ✓ (6)

(10 marks)

- 7 (a) (i) resistor ✓
(ii) capacitor ✓ (2)
- (b) (i) watt ✓
(ii) hertz ✓ (2)
- (c) (i) 0.06A ✓
(ii) $9 - 6 = 3V$ ✓
(iii) $3 / 0.06$ ✓ = 50Ω ✓
(iv) 3×0.06 ✓ = 0.18W ✓ (6)

(10 marks)

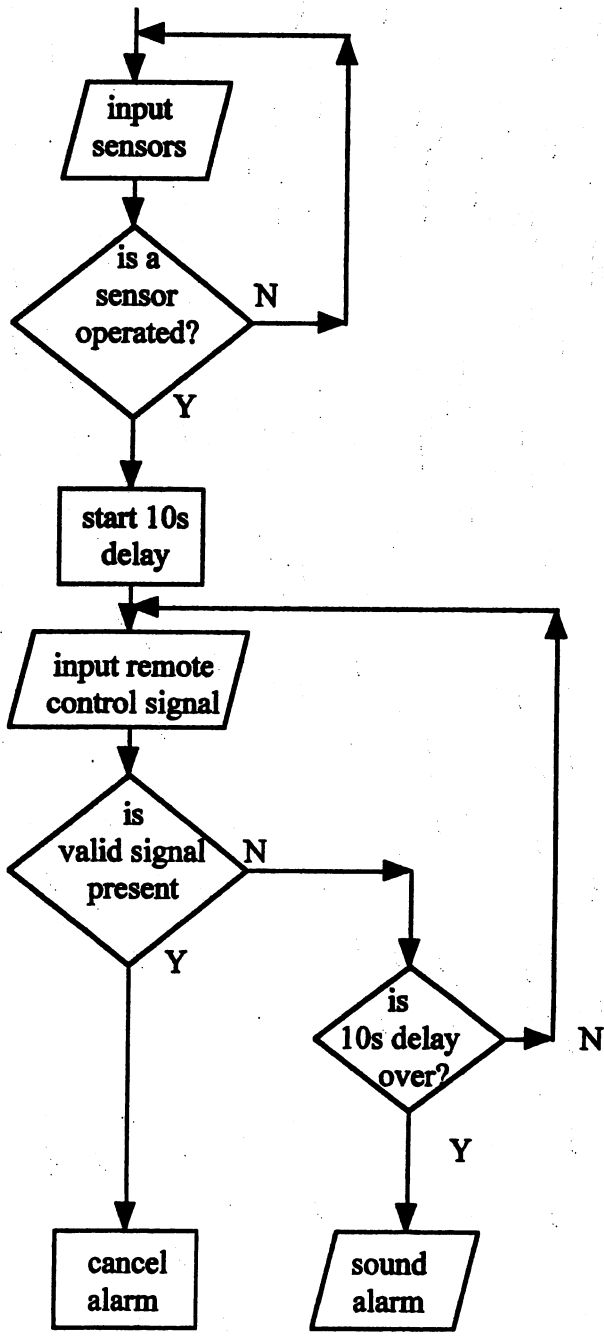


- (ii) decision, diamond ✓
loop, return to an earlier point ✓
process, rectangle ✓
- input, parallelogram ✓
output, parallelogram ✓

(10)

- 8 (b) 30sec delay starts✓
 no remote control signal present, delay completes✓
 sidelights flash and one bleep✓
 system loops back to start another delay✓
 repeats above sequence✓
 reminder to set alarm✓ (max 5) (5)

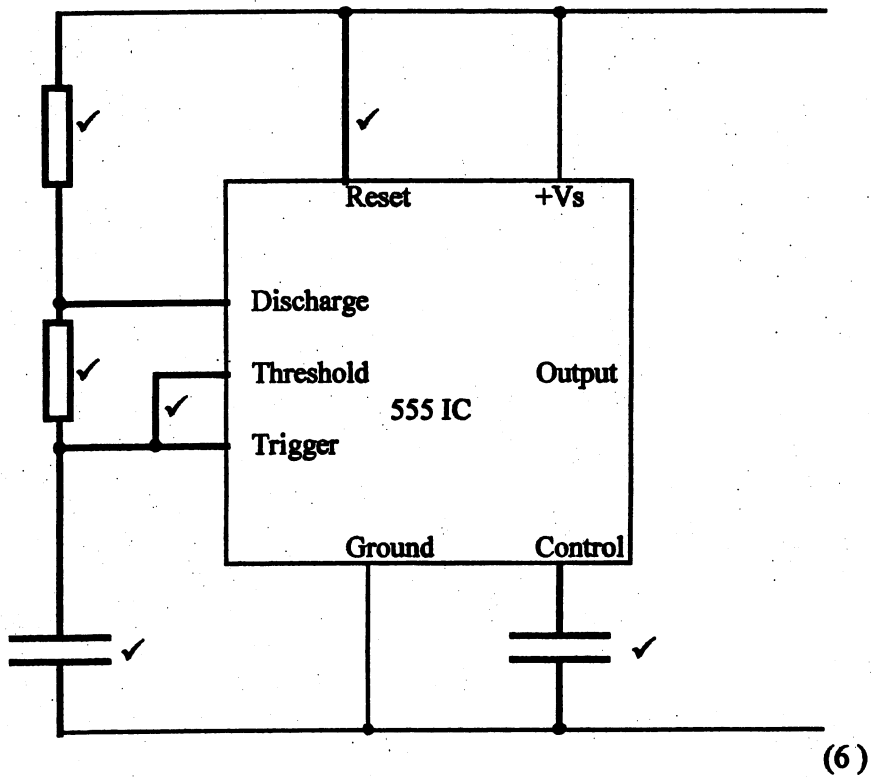
(c) example answer only



(max 5) (5)

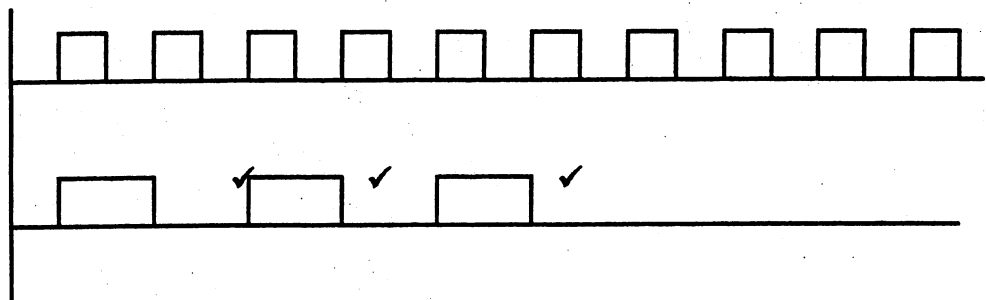
(20 marks)

9 (a)



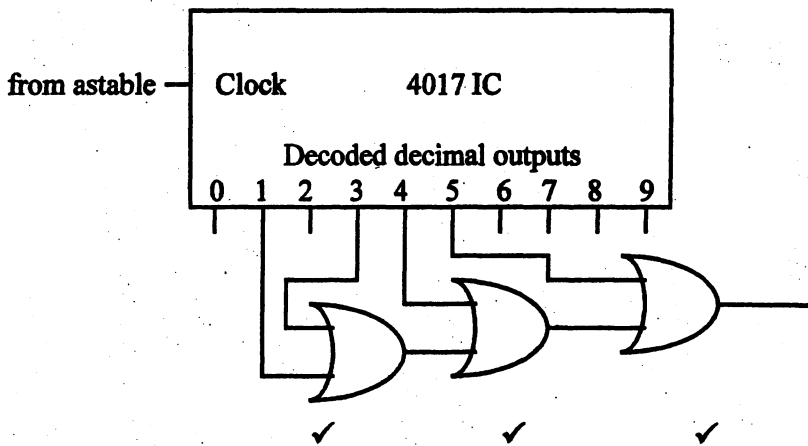
(b) (i) only one of the decoded outputs is high at any one time ✓
the others are all low ✓
in sequence ✓

(ii)



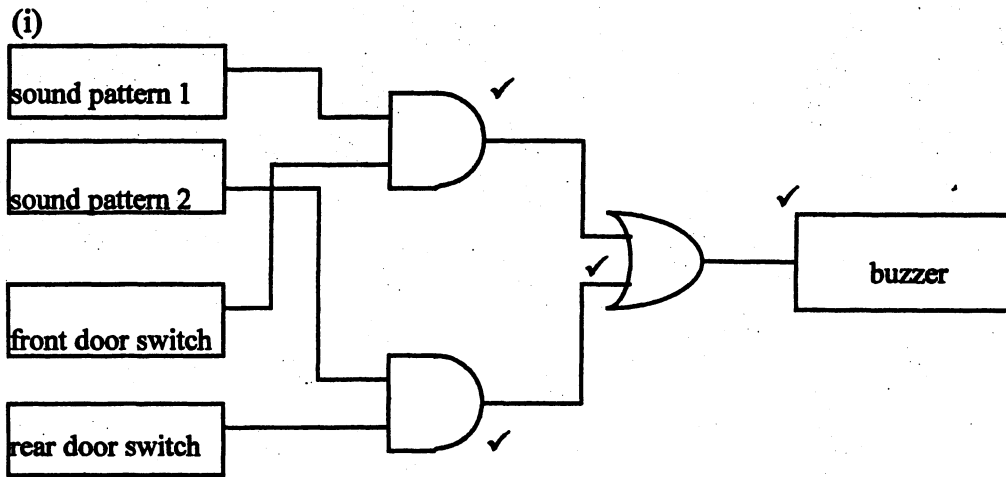
(iii) Three short buzzes ✓
a long gap ✓
repetitively ✓

(iv)



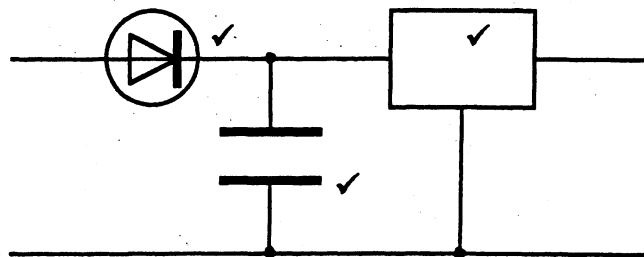
(12)

(c)



(ii) 4017 may be on a silent part of sequence when switch pressed ✓
push switch to activate a monostable before AND gate ✓
(6)

(d) diode or bridge rectifier symbol, ✓
capacitor symbol, ✓
3 terminal regulator symbol, ✓



(6)

(Paper total 120 marks)

(30 marks)