

INSTRUCTIONS TO CANDIDATES

- Write your name in capital letters, your Centre Number and Candidate Number in the boxes above and on each of the A3 answer sheets inside this folder.
- Use blue or black ink. Pencil may be used for graphs and diagrams only.
- Read each question carefully and make sure that you know what you have to do before starting your answer.
- Answer **all** questions.
- Write your answer to each question in the space provided.
- All diagrams should be drawn accurately unless otherwise stated. Drawing aids may be used. Colour or shading should only be used if asked for in the question. Use your discretion where dimensions are not given.

INFORMATION FOR CANDIDATES

- The number of marks for each question is given in brackets [] at the end of each question or part question.
- The total number of marks for this Section is **50**.
- Dimensions are in mm unless stated otherwise.
- Marks will be awarded for the use of correct drawing conventions.

	TOTAL
	5
	4
	3
	2
	1

FOR EXAMINER'S USE

Centre Number	Candidate Number
<input style="width: 100%;" type="text"/>	<input style="width: 100%;" type="text"/>
Candidate Forename	Candidate Surname
<input style="width: 100%;" type="text"/>	<input style="width: 100%;" type="text"/>

OCR
RECOGNISING ACHIEVEMENT

H

GENERAL CERTIFICATE OF SECONDARY EDUCATION
DESIGN AND TECHNOLOGY

Graphic Products (Full Course)
Graphic Products (Short Course)
Paper 2 (Higher Tier)

THURSDAY 22 MAY 2008
Morning

Time: 1 hour 30 minutes

1955/02
1055/02

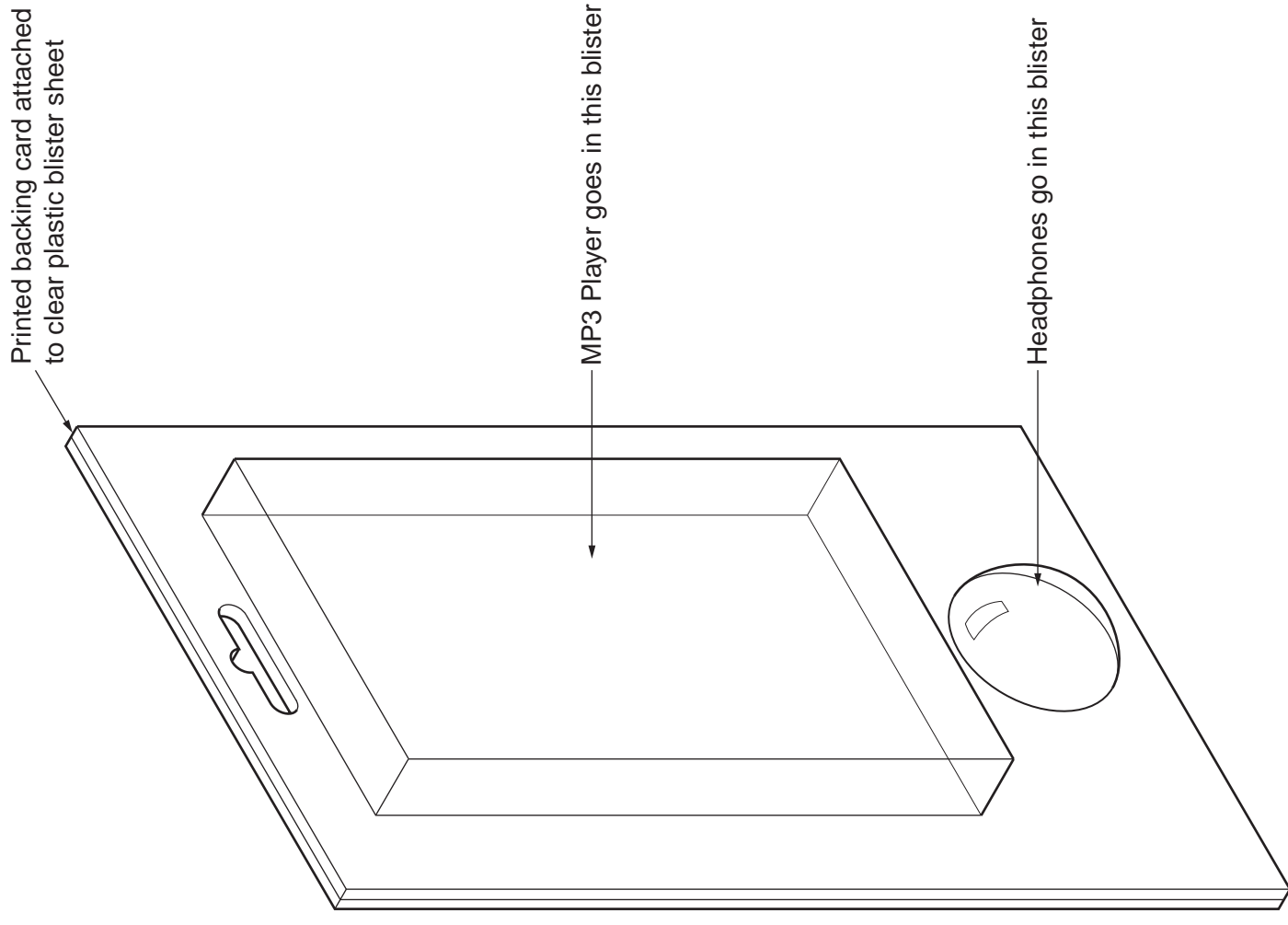
Additional materials (required):
Drawing aids may be used

Additional materials (enclosed): None

Candidates answer on the question paper

* C U P / T 4 3 2 7 5 *

- 1 A new MP3 player called EYE is to be marketed.
A pictorial (3D) drawing of an incomplete design for a blister pack to hold the **EYE MP3 player** and a pair of headphones is shown below.



- (a) Give **one** advantage of this type of packaging over card boxes.

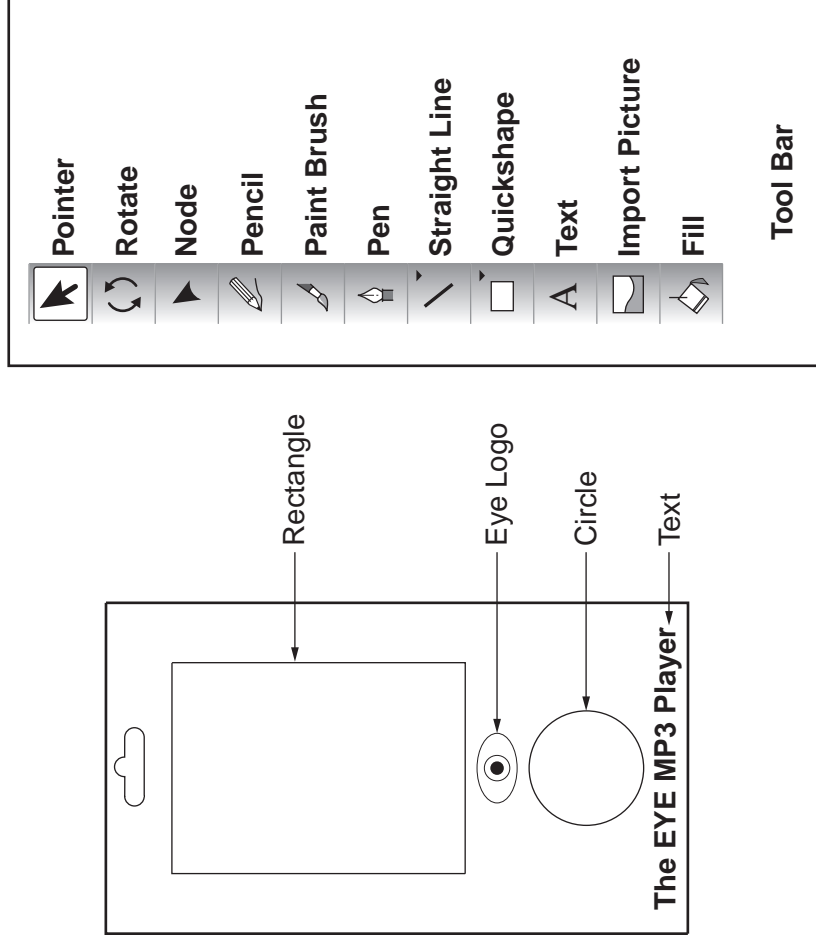
Advantage _____ [1]

- (b) Name the process used to produce the clear blister sheet from a thermoplastic.

_____ [1]

- (c) The drawing shows an initial idea for the backing card.

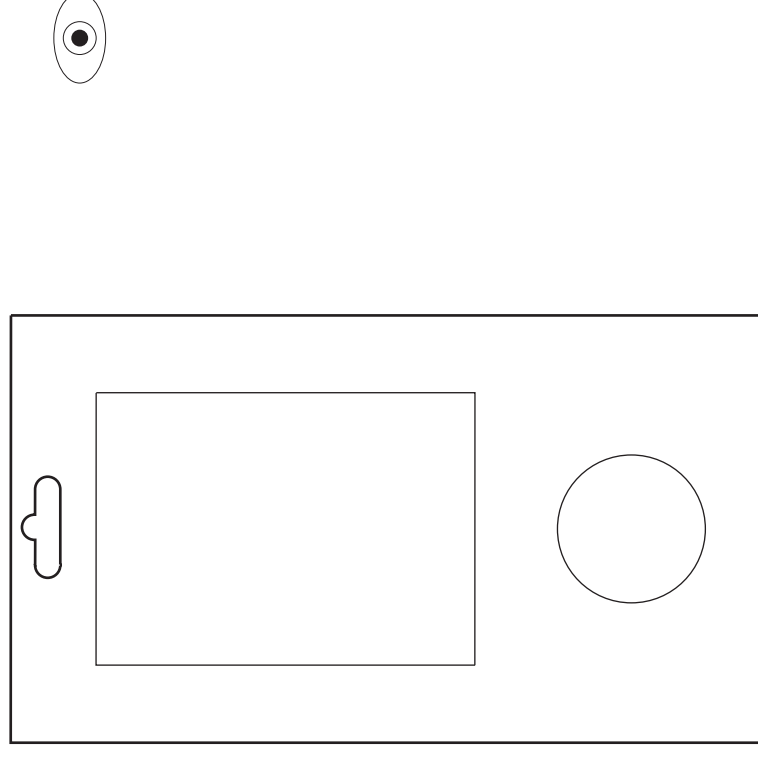
The final design will be produced on a computer using tools from the tool bar shown below.



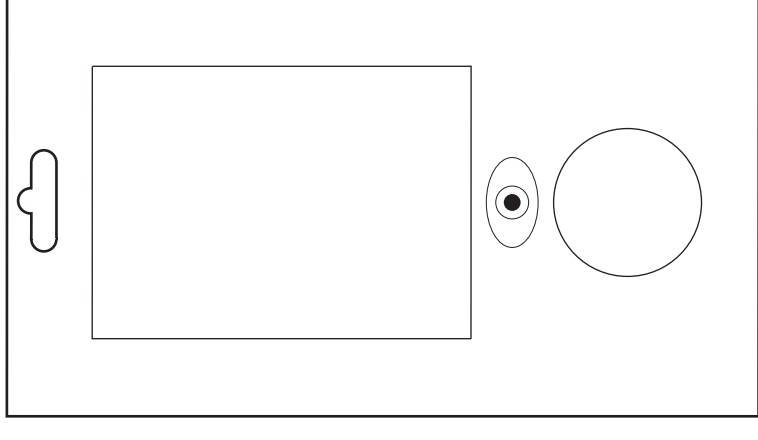
- (i) Add sketches and notes to the given drawing to explain how the **rectangle** and **circle** would be drawn using tools from the tool bar. [4]



- (ii) Add sketches and notes to the given drawing to explain how the 'EYE' logo would be moved to its correct position using tools from the tool bar. [2]

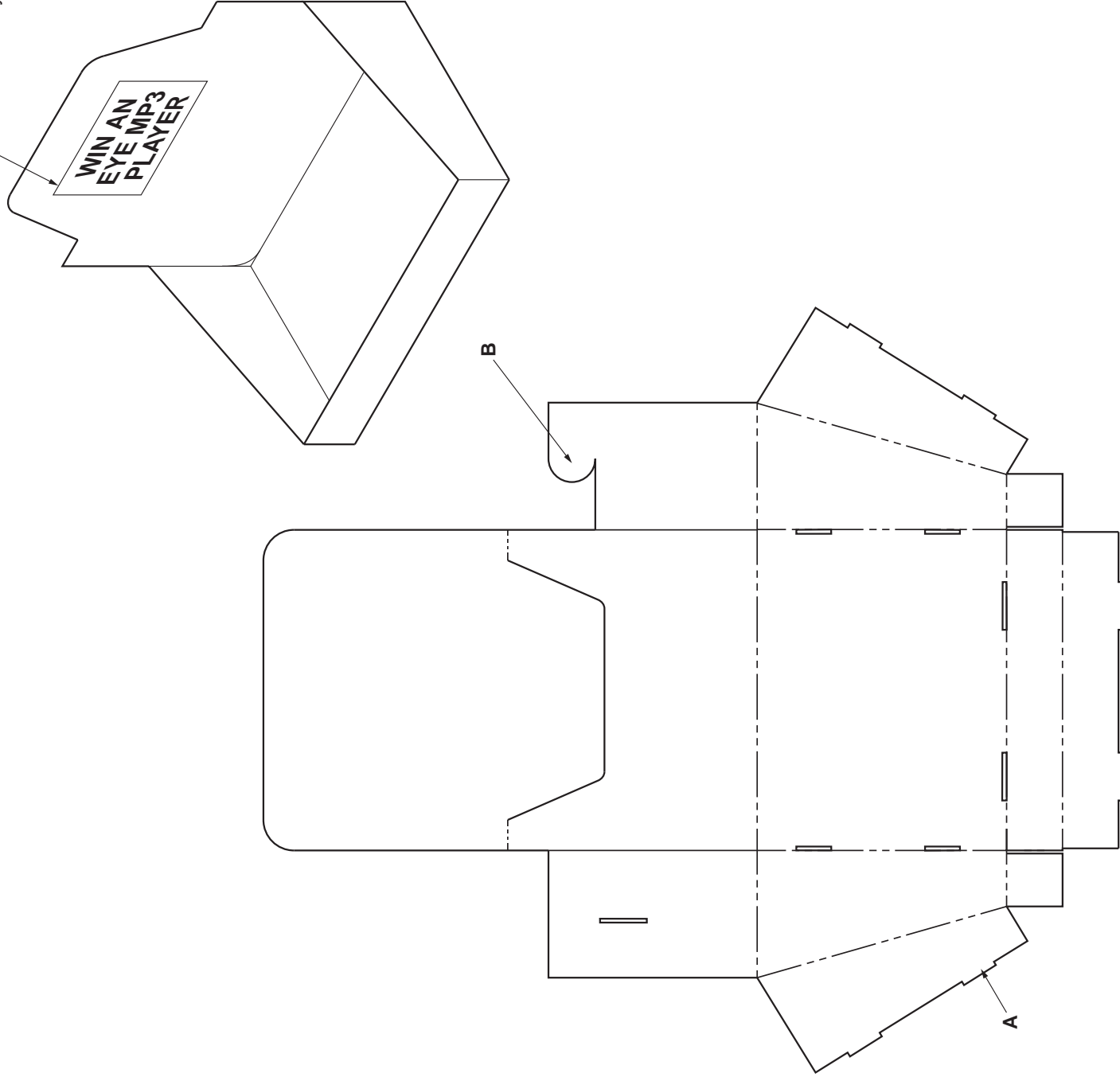


- (iii) Add sketches and notes to the given drawing to explain how the **text** would be added using tools from the tool bar. [2]



2 Details are given below about a card tray used to hold competition entry forms to win an EYE MP3 player. [2]

Printed label
stuck onto tray



(b) Use a sketch and notes to explain the design feature shown at **A**. [2]

(c) Use a sketch and notes to explain the design feature shown at **B**. [2]

(d) Give **two** reasons why it is better to print information onto labels rather than straight onto the trays. Reason 1 _____ [1]
Reason 2 _____ [1]

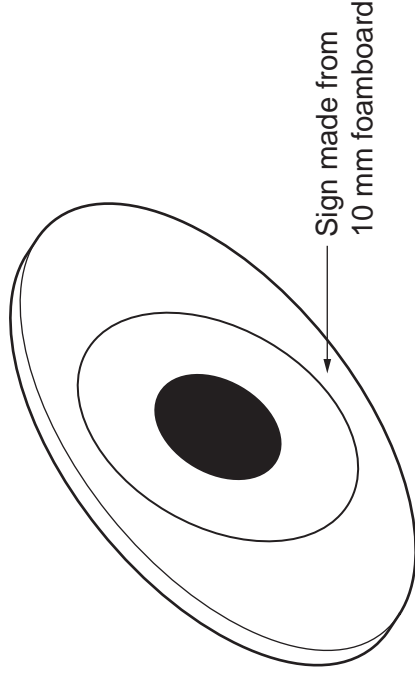
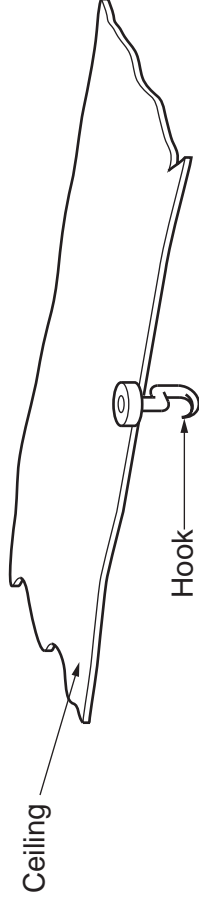
(Not to scale)

(a) Give **two** reasons why this type of product is designed so that it can be assembled without the use of glue. Reason 1 _____ [1]
Reason 2 _____ [1]

(e) Use a sketch and notes to show a modification to the tray which would make it easier to remove the entry forms. [2]

3 The pictorial (3D) view below shows a hanging sign which will be used to advertise the EYE MP3 player.
The sign will be hung from the ceiling by a hook.

(a) Complete the sketch below by adding a method of hanging the sign from the hook.
Show clearly the method of attachment to the sign. [2]



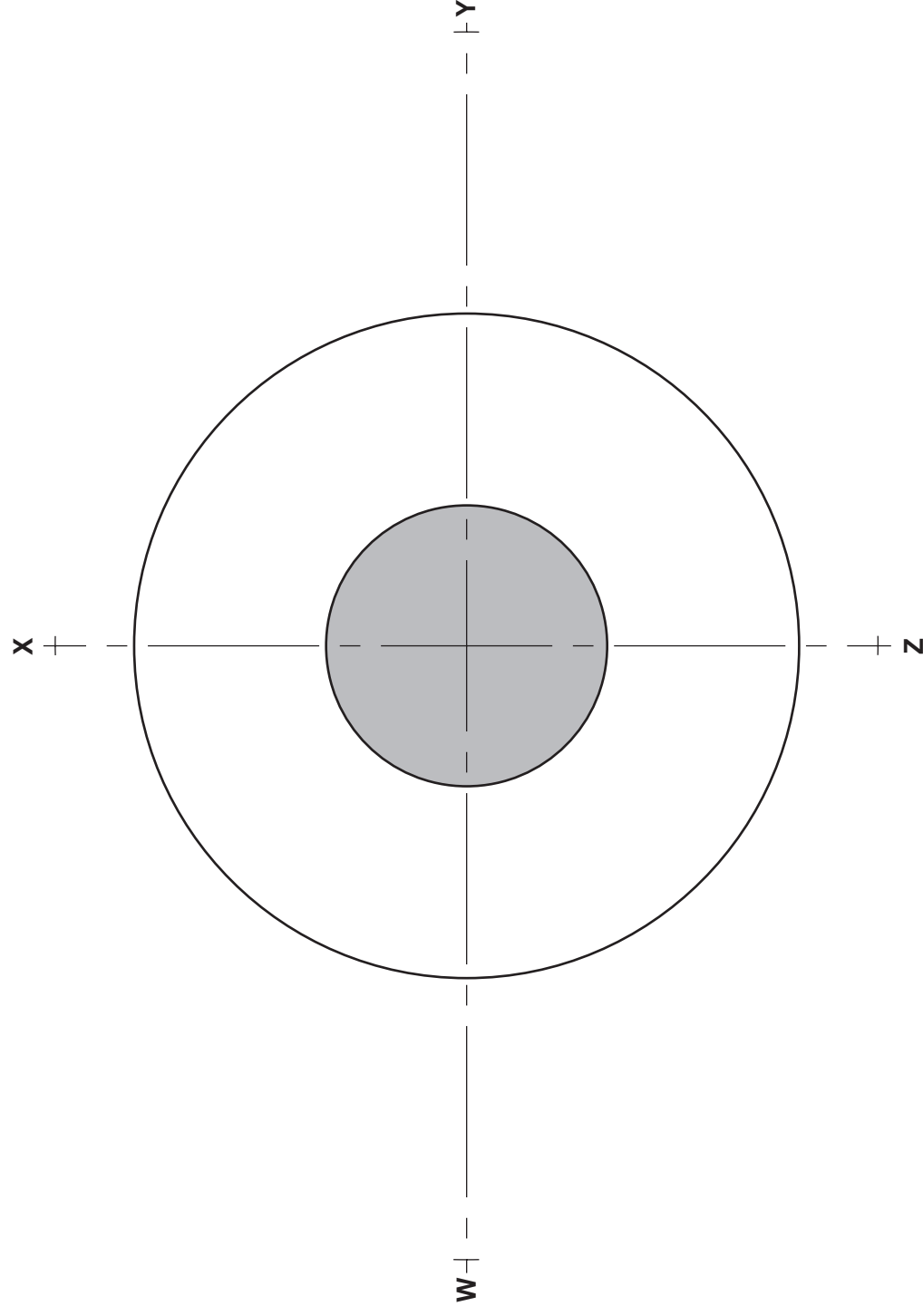
(b) The sign is made from foamboard.
Use a sketch and notes to explain what this material looks like. [2]

(c) Give **two** properties of foamboard that make it suitable for the manufacture of large hanging signs.

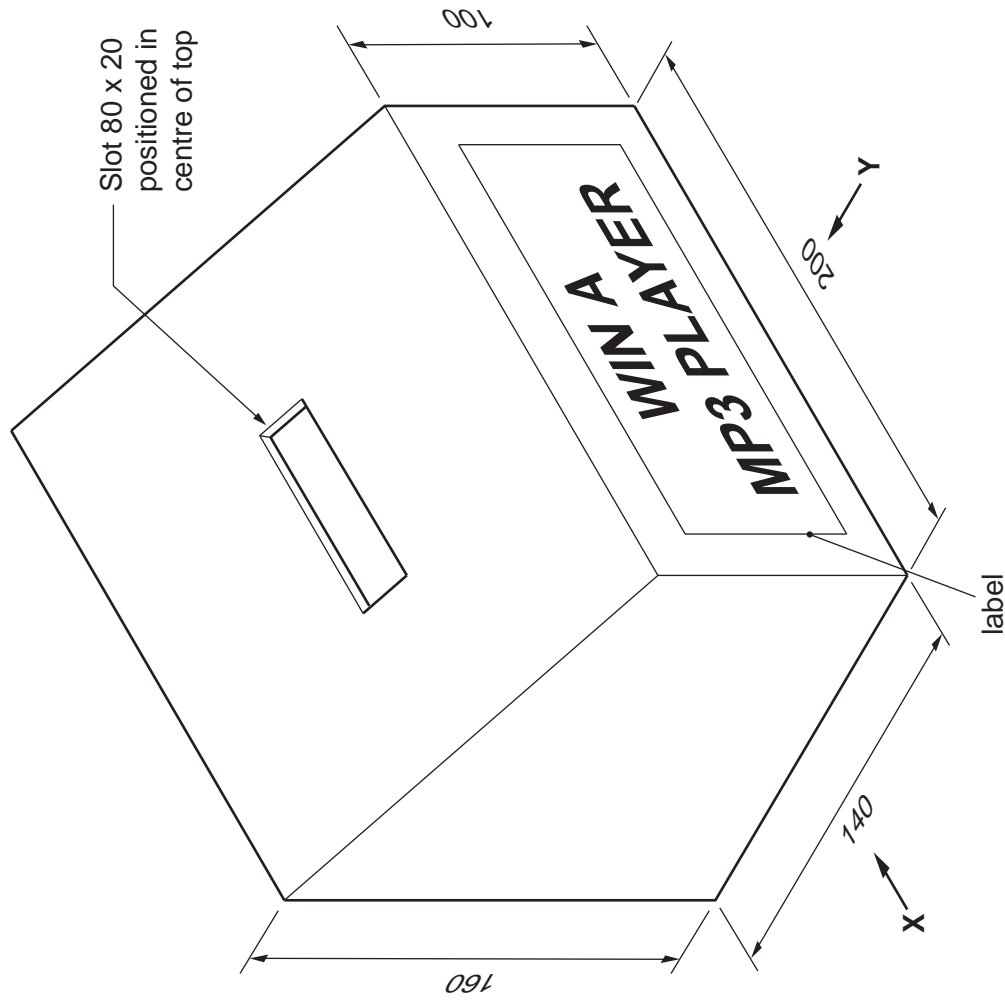
Property 1 _____ [1]

Property 2 _____ [1]

(d) Complete the front view of the foamboard sign by drawing an ellipse which passes through the points **W**, **X**, **Y** and **Z**.
Construction for the ellipse must be clearly shown. [4]



4 A pictorial (3D) view of a collection box for completed competition entry forms is shown.
The box is made from card.



(a) Use instruments to complete to a scale of 1:2 the orthographic views of the box by:

- (i) drawing the end view in the direction of arrow X.
Use the given starter line A B; [2]
- (ii) drawing the front view in the direction of arrow Y.
Do not include the label or the lettering [4]



(b) Use a sketch and notes to show a way of opening and closing the box to remove the entry forms. [2]

(c) Complete the manufacturing specification for the collection box. [2]

Production Run	100,000
Card Thickness	_____
Cutting and Creasing method	_____

- 5** Packaging to hold three accessories for the EYE MP3 player is required.
The packaging consists of a thin plastic moulded tray which slides into a card box.

Specification points for the plastic tray:

- The size of the tray must be 80 mm × 95 mm × 20mm
- It must have spaces to hold accessory 1 – size 80 mm × 35 mm × 20mm
accessory 2 – size 30 mm × 30 mm × 20mm
accessory 3 – size 50 mm × 30 mm × 20mm

Specification points for the card box:

- It must be made from a one piece development (net)
- It must include a window so that only accessory 1 can be seen
- It must be possible to open and close the box

(a) Use sketches and notes to design the thin plastic tray. [2]

(b) Use sketches and notes to design the card box and the development (net). [3]

(c) Draw the full size development (net) of the card box that you have designed in part (b).
Clearly label all glue tabs, fold lines and fold-in flaps. [5]

Permission to reproduce items where third-party owned material protected by copyright is included has been sought and cleared where possible. Every reasonable effort has been made by the publisher (OCR) to trace copyright holders, but if any items requiring clearance have unwittingly been included, the publisher will be pleased to make amends at the earliest possible opportunity.

OCR is part of the Cambridge Assessment Group. Cambridge Assessment is the brand name of University of Cambridge Local Examinations Syndicate (UCLES), which is itself a department of the University of Cambridge.

© OCR 2008
