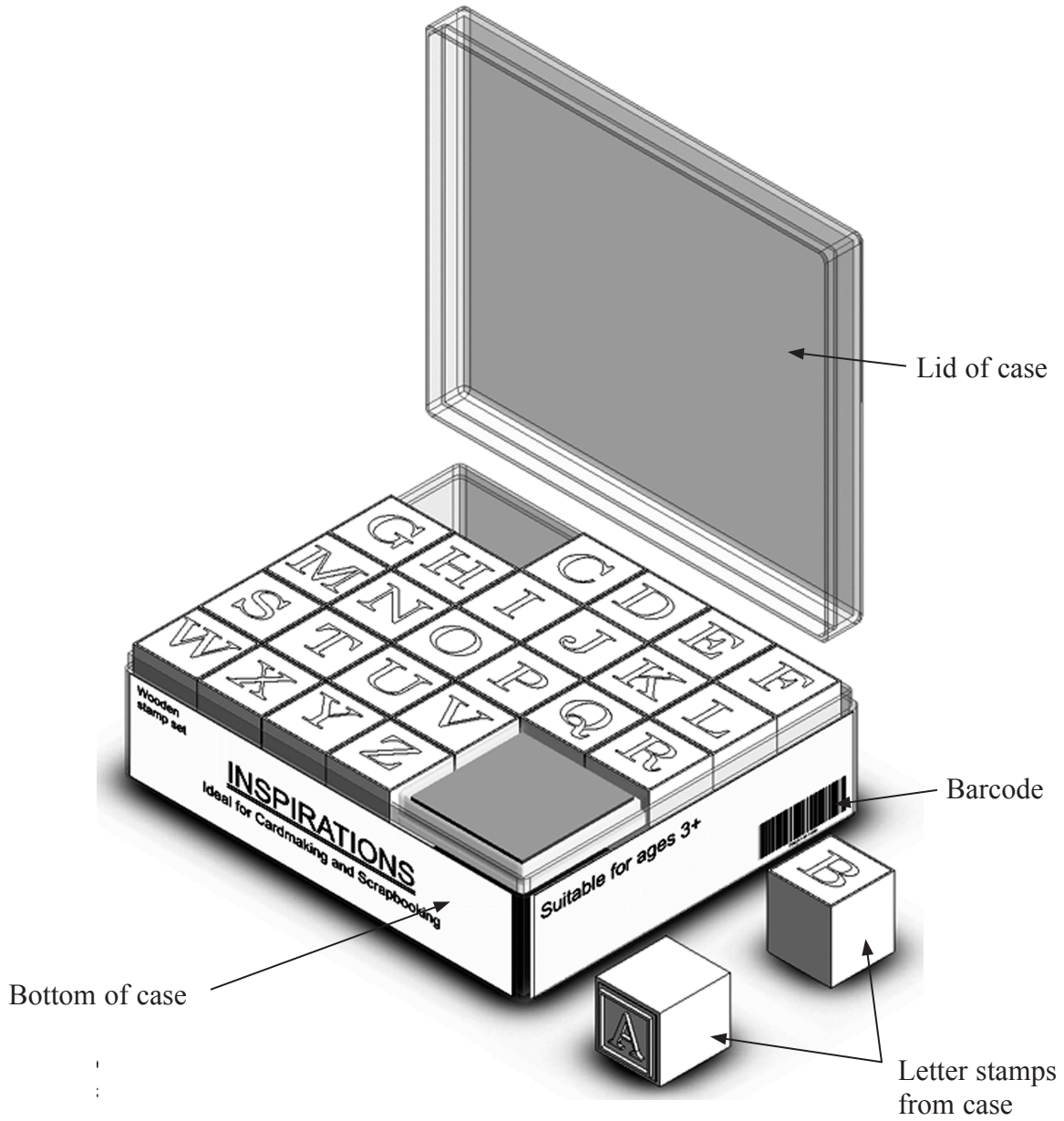




Answer ALL the questions. Write your answers in the spaces provided.

1. The drawing below shows a child's letterpress stamping set.

The lid fits tightly onto the bottom.



(a) Two specification points for the **case** of the stamping set are that it must:

- protect the contents
- allow the retailer to easily monitor sales.

Under each of the following headings, give **one** more point that should be included in the specification for the case.

For each point, give **one** reason why it should be included.

(i) **Quality**

Point .....

.....

Reason .....

.....

.....

**(2)**

(ii) **Environment**

Point .....

.....

Reason .....

.....

.....

**(2)**

(iii) **Safety**

Point .....

.....

Reason .....

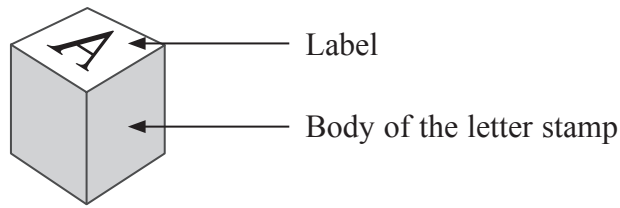
.....

.....

**(2)**



(b) The drawing below shows one of the letter stamps.



The body of the letter stamp is made from pine.

One reason why the body of the letter stamp is made from pine is that it is attractive.

Give **two** other reasons why pine is a suitable material from which to make the body of the letter stamp.

1 .....

.....

2 .....

.....

**(2)**

(c) The label on the top of the letter stamp is manufactured using lithography.

Give **two** reasons why lithography is a suitable process to manufacture the label.

1 .....

.....

2 .....

.....

**(2)**

(d) The label on the top of the letter stamp is finished by using varnishing.

Explain **one** reason why varnishing is used for finishing this label.

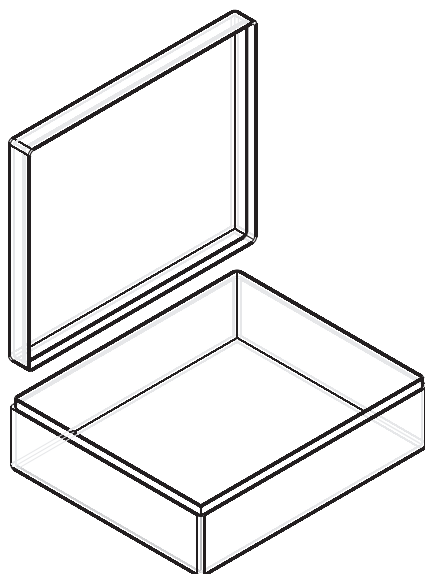
.....

.....

**(2)**



(e) The drawing below shows the case of the stamping set.



The case is made from acrylic.

Give **two** properties of acrylic that make it a suitable material for the case.

For each property, give **one** reason why it makes acrylic suitable.

Property 1 .....

Reason .....

.....

Property 2 .....

Reason .....

.....

(4)



(f) The manufacturer of the case uses sampling during production.

Explain **one** reason for sampling during the production of the case.

.....  
.....  
.....  
.....

(2)

(g) Two purposes of the **case** of the stamping set are to:

- protect the contents
- allow the retailer to easily monitor sales.

Explain under the following headings how the **case** of the stamping set achieves these purposes.

(i) Protect the contents.

.....  
.....  
.....  
.....

(2)

(ii) Allow the retailer to easily monitor sales.

.....  
.....  
.....  
.....

(2)

Q1

(Total 22 marks)

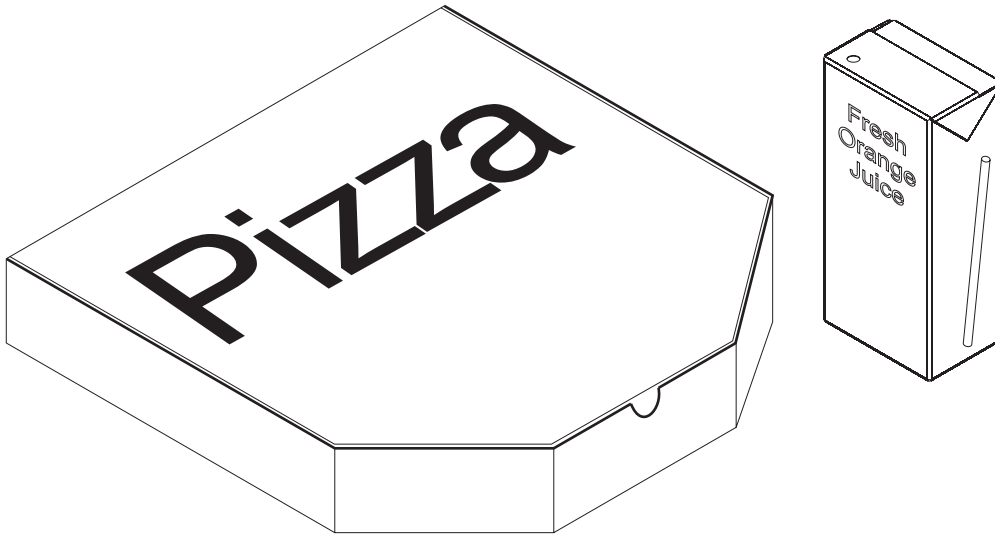
--	--



**BLANK PAGE**



2. The drawings below show the containers from a takeaway meal.



(a) The orange juice carton is made from a laminate of three different materials. Each material has a specific function.

Complete the table below with the missing material and the two missing functions.

Material	Function
Polyethylene	
	Acts as a barrier to light
Paper	

(3)





(b) The pizza box is made from corrugated card.

(i) In the space below, draw the edge of a piece of corrugated card.

(2)

(ii) State **two** properties of corrugated card.

1 .....

2 .....

(2)

(c) A cutting mat should be put under corrugated card when it is being cut with a scalpel.

Give **two** reasons for using a cutting mat.

1 .....

.....

2 .....

.....

(2)

(d) The pizza box was produced by adapting an existing commercial packaging net. One reason for adapting an existing net is that the design process is made quicker.

Give **two** more reasons for adapting existing packaging nets.

1 .....

.....

2 .....

.....

(2)

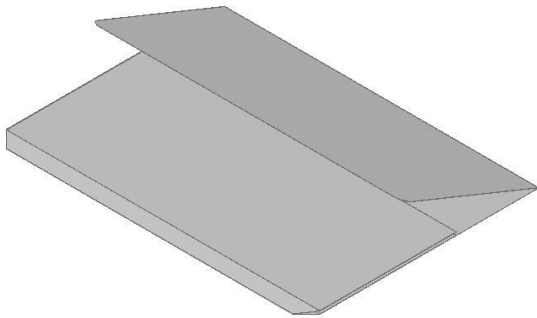
(Total 11 marks)

Q2

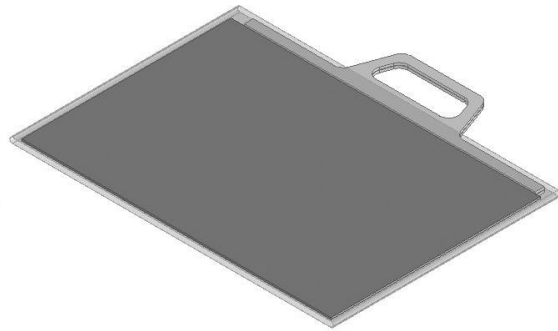
--	--



3. (a) The drawings below show two different folders that are used by students to carry their designs.



Folder made from card



Folder made from PVC

(i) State **three** properties of card.

- 1 .....
- .....
- 2 .....
- .....
- 3 .....
- .....

**(3)**

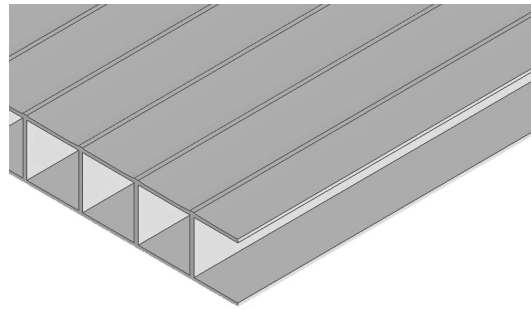
(ii) State **two** advantages of making a folder from PVC instead of card.

- 1 .....
- .....
- 2 .....
- .....

**(2)**



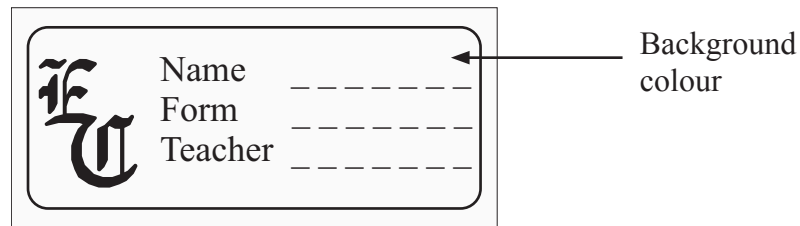
(b) The drawing below shows the edge of a plastic material that can be used to make folders.



Name the plastic material shown.

..... (1)

(c) The drawing below shows a label that could be put on the front of a folder.



Coloured paper or a colour printer could be used to provide the background colour.

Explain **one** advantage of printing onto coloured paper instead of using a colour printer to provide the background colour.

.....  
.....  
.....  
..... (2)



(d) The drawing below shows the logo from the label.



The logo was produced using a paint program.

Describe what would happen to the appearance of the logo if it was enlarged using a paint program.

.....  
.....  
.....  
.....

(2)

(e) State **one** reason why using a fine line pen would not be a suitable method for writing on the front of a plastic folder.

.....  
.....

(1)

Q3

--	--

(Total 11 marks)

**TOTAL FOR PAPER: 44 MARKS**

**END**

