

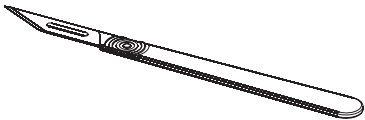
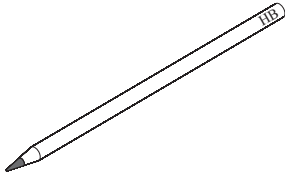
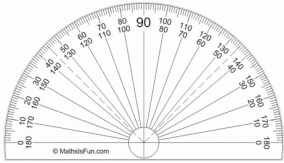

Answer ALL the questions. Write your answers in the spaces provided.

1. The table below shows some tools and equipment.

(a) Complete the table by:

- (i) naming each tool or item of equipment
- (ii) describing its use.

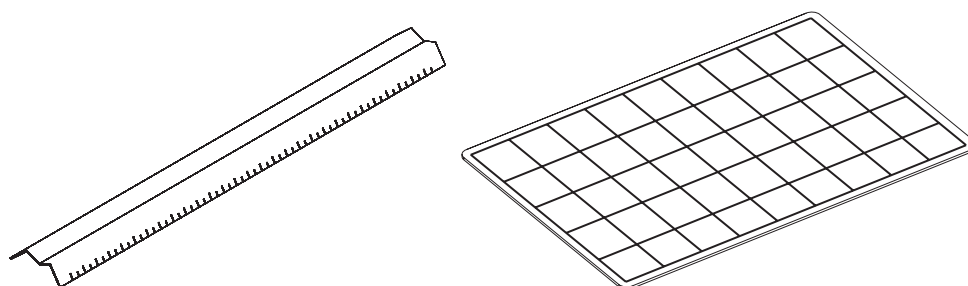
The first one has been done for you.

Tool / Equipment	Name	Use
	Scalpel	Cutting card
		
		
		

(6)



(b) Shown below are two items of equipment used when cutting card with a scalpel.



Name the **two** pieces of equipment shown above.

1

2

(2)

(c) Materials that have been cut can be joined together with glue.

Name a glue that is suitable to join each of the materials listed below.

Each named glue should be different.

The first one has been done for you.

Material	Glue
Paper	Glue stick
Pine	
Acrylic	
Aluminium	

(3)

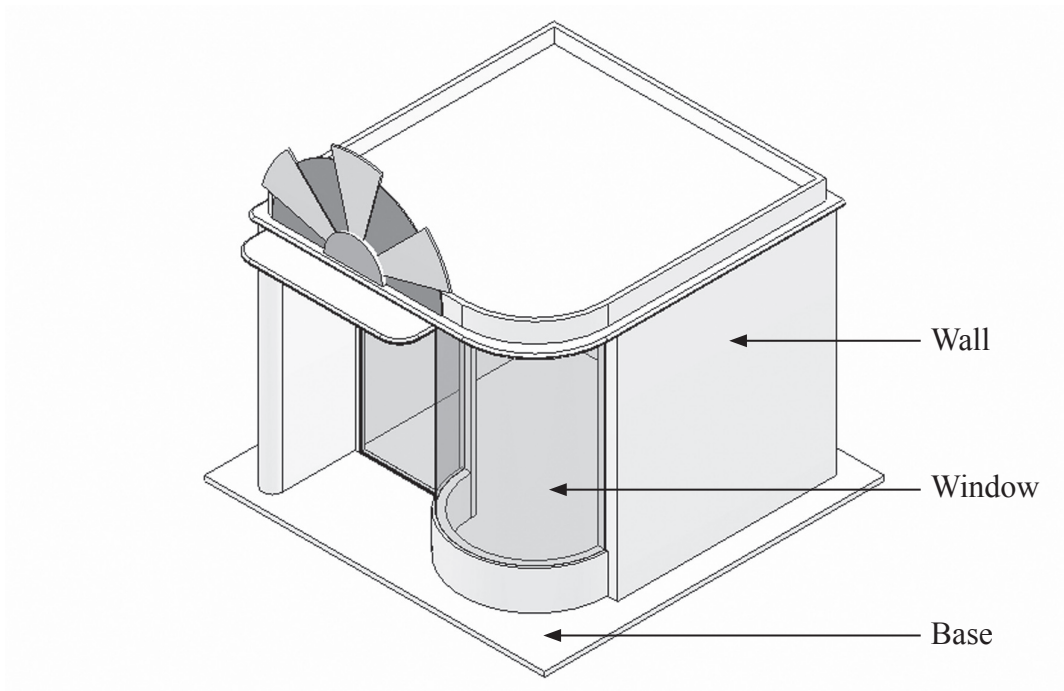
(Total 11 marks)

Q1

--	--



2. The drawing below shows a model of a shop produced by a student.



(a) The model is made from materials with differing properties.

On the table below draw a line to link the name of a property to the meaning of that property. The first one has been done for you.

Name of property	Meaning of property
Texture	How hard it is to break a material
Strength	The way a material looks
Rigidity	How hard it is to bend a material
Visual impact	How a material feels to touch

(3)



(b) The walls are made from corrugated card.

In the space below, draw the edge of a piece of corrugated card.

(2)

(c) The walls had colour put onto them using an airbrush.

State **two** advantages of applying colour with an airbrush compared with using colouring pencils.

1

2

(2)

(d) The window is made from acetate.

State **two** properties of acetate that make it a suitable material for the window.

1

2

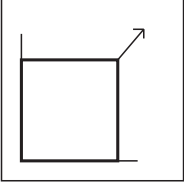
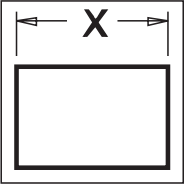
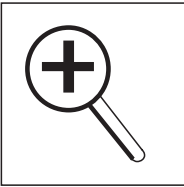
(2)



(e) CAD software programmes have a number of tools.

Complete the table below by stating what each tool does.

The first one has been done for you.

Tool	What the tool does
	<p>Draws a rectangle</p>
	
	

(2)

Q2

(Total 11 marks)

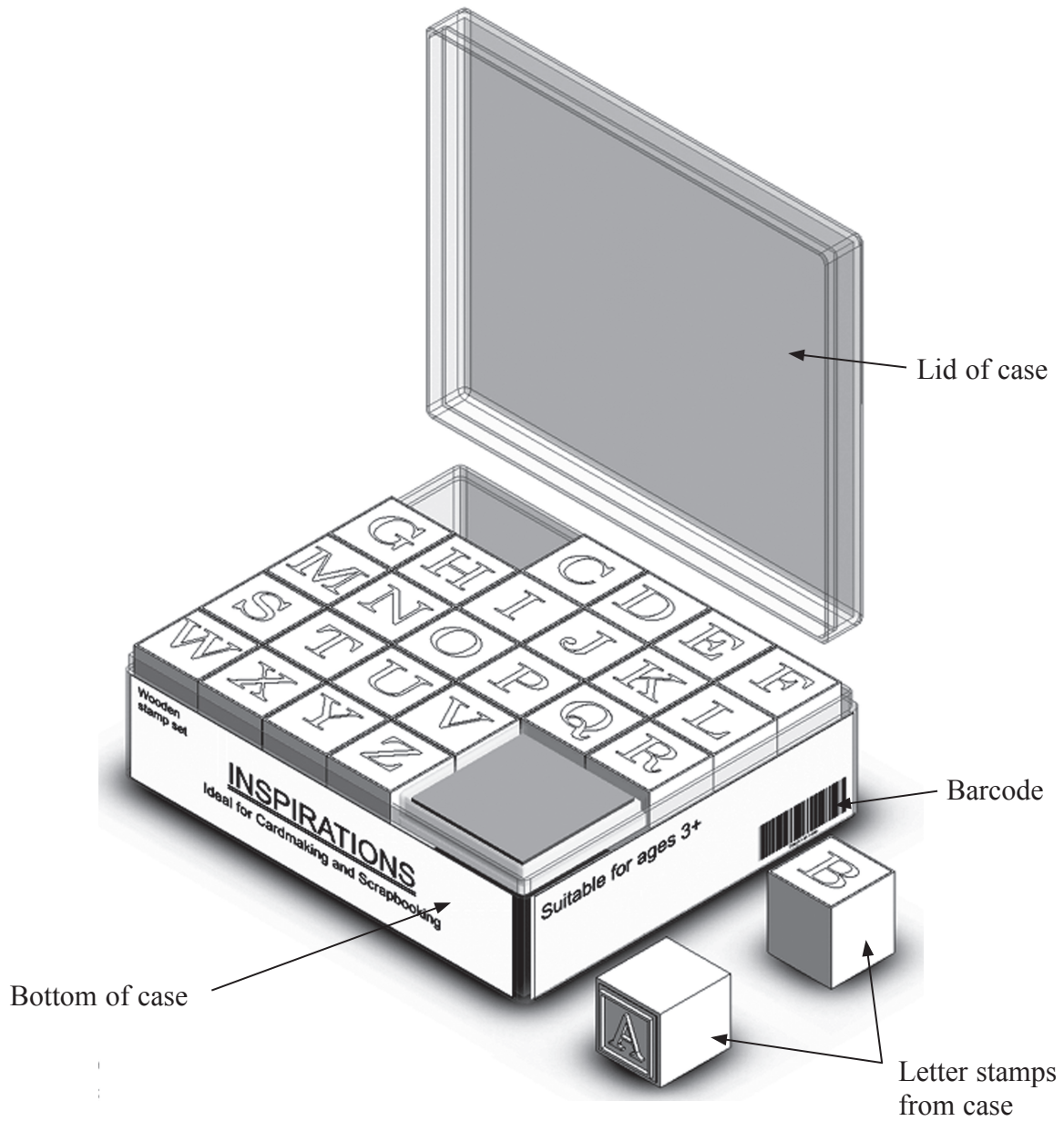


BLANK PAGE



3. The drawing below shows a child's letterpress stamping set.

The lid fits tightly onto the bottom.



(a) Two specification points for the **case** of the stamping set are that it must:

- protect the contents
- allow the retailer to easily monitor sales.

Under each of the following headings, give **one** more point that should be included in the specification for the case.

For each point, give **one** reason why it should be included.

(i) **Quality**

Point

.....

Reason

.....

.....

(2)

(ii) **Environment**

Point

.....

Reason

.....

.....

(2)

(iii) **Safety**

Point

.....

Reason

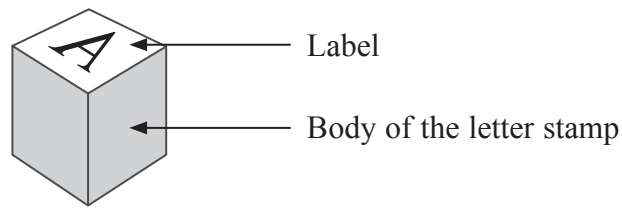
.....

.....

(2)



(b) The drawing below shows one of the letter stamps.



The body of the letter stamp is made from pine.

One reason why the body of the letter stamp is made from pine is that it is attractive.

Give **two** other reasons why pine is a suitable material from which to make the body of the letter stamp.

- 1
 -
 - 2
 -
- (2)**

(c) The label on the top of the letter stamp is manufactured using lithography.

Give **two** reasons why lithography is a suitable process to manufacture the label.

- 1
 -
 - 2
 -
- (2)**

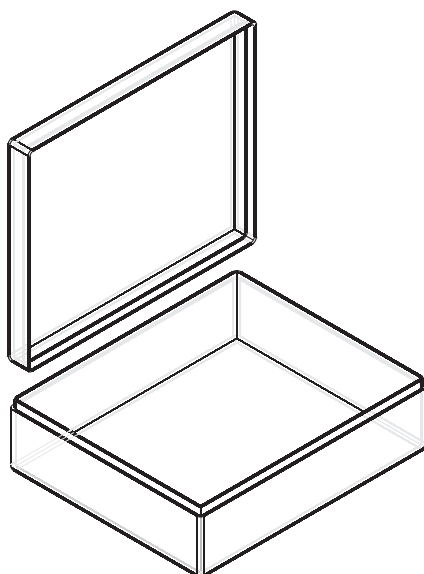
(d) The label on the top of the letter stamp is finished by using varnishing.

Explain **one** reason why varnishing is used for finishing this label.

-
 -
- (2)**



(e) The drawing below shows the case of the stamping set.



The case is made from acrylic.

Give **two** properties of acrylic that make it a suitable material for the case.

For each property, give **one** reason why it makes acrylic suitable.

Property 1

Reason

.....

Property 2

Reason

.....

(4)



(f) The manufacturer of the case uses sampling during production.

Explain **one** reason for sampling during the production of the case.

.....
.....
.....
.....

(2)

(g) Two purposes of the **case** of the stamping set are to:

- protect the contents
- allow the retailer to easily monitor sales.

Explain under the following headings how the **case** of the stamping set achieves these purposes.

(i) Protect the contents.

.....
.....
.....
.....

(2)

(ii) Allow the retailer to easily monitor sales.

.....
.....
.....
.....

(2)

Q3

(Total 22 marks)

TOTAL FOR PAPER: 44 MARKS

END

