

**GENERAL CERTIFICATE OF SECONDARY EDUCATION
TWENTY FIRST CENTURY SCIENCE
ADDITIONAL SCIENCE A**

A218/02

Unit 4: Ideas in Context (Higher Tier)

**Tuesday 7 June 2011
Afternoon**

Duration: 45 minutes

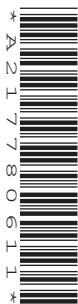
Candidates answer on the question paper.
A calculator may be used for this paper.

OCR supplied materials:

- Insert (inserted)

Other materials required:

- Pencil
- Ruler (cm/mm)




Candidate forename		Candidate surname	
--------------------	--	-------------------	--

Centre number						Candidate number				
---------------	--	--	--	--	--	------------------	--	--	--	--

INSTRUCTIONS TO CANDIDATES

- The insert will be found in the centre of this document.
- Write your name, centre number and candidate number in the boxes above. Please write clearly and in capital letters.
- Use black ink. Pencil may be used for graphs and diagrams only.
- Read each question carefully. Make sure you know what you have to do before starting your answer.
- Write your answer to each question in the space provided. Additional paper may be used if necessary but you must clearly show your candidate number, centre number and question number(s).
- Answer **all** the questions.
- Do **not** write in the bar codes.

INFORMATION FOR CANDIDATES

- The number of marks is given in brackets [] at the end of each question or part question.
- The total number of marks for this paper is **40**.
- A list of physics equations is printed on page two.
- The Periodic Table is printed on the back page.
-  Where you see this icon you will be awarded marks for the quality of written communication in your answer.
- This document consists of **12** pages. Any blank pages are indicated.

TWENTY FIRST CENTURY SCIENCE EQUATIONS

Useful Relationships

Explaining Motion

$$\text{speed} = \frac{\text{distance travelled}}{\text{time taken}}$$

$$\text{momentum} = \text{mass} \times \text{velocity}$$

$$\text{change of momentum} = \text{resultant force} \times \text{time for which it acts}$$

$$\text{work done by a force} = \text{force} \times \text{distance moved in the direction of the force}$$

$$\text{change in energy} = \text{work done}$$

$$\text{change in GPE} = \text{weight} \times \text{vertical height difference}$$

$$\text{kinetic energy} = \frac{1}{2} \times \text{mass} \times [\text{velocity}]^2$$

Electric Circuits

$$\text{resistance} = \frac{\text{voltage}}{\text{current}}$$

$$\frac{\text{voltage across primary coil}}{\text{voltage across secondary coil}} = \frac{\text{number of turns in primary coil}}{\text{number of turns in secondary coil}}$$

$$\text{energy transferred} = \text{power} \times \text{time}$$

$$\text{power} = \text{potential difference} \times \text{current}$$

$$\text{efficiency} = \frac{\text{energy usefully transferred}}{\text{total energy supplied}} \times 100\%$$

The Wave Model of Radiation

$$\text{wave speed} = \text{frequency} \times \text{wavelength}$$

BLANK PAGE

Question 1 starts on page 4

PLEASE DO NOT WRITE ON THIS PAGE

Answer **all** the questions.

1 This question is based on the article ‘Rocket science’.

(a) (i) Explain how the rocket engine makes the rocket move.

Your answer should include

- the role of the exhaust gases
- the sizes and directions of the forces involved.

.....

.....

.....

.....

.....

.....

..... **[3]**

(ii) The rocket flies straight up.

At its highest point the rocket stops rising. It then falls.

What is the momentum of the rocket at its highest point?

momentum = kg m/s **[1]**

(b) During which time period was the velocity of the rocket at its greatest?

Put a tick (✓) in the box next to the correct answer.

- | | |
|-------------------|--------------------------|
| 0 to 2.5 seconds | <input type="checkbox"/> |
| 2.5 to 5 seconds | <input type="checkbox"/> |
| 5 to 7.5 seconds | <input type="checkbox"/> |
| 7.5 to 10 seconds | <input type="checkbox"/> |
| 10 to 15 seconds | <input type="checkbox"/> |

[1]

(c) As the rocket burns fuel, the total mass of the rocket changes.

Explain why this means that the rocket reaches a greater velocity than if its mass did not change.

.....
.....
..... [2]

(d) The potential energy of the rocket at its highest point is 112500J.

(i) Show that the weight of the rocket at **the highest point** is about 30 N.

You must show your calculation.

[2]

(ii) After reaching its highest point the rocket falls to the ground.

Once all the fuel has been used the rocket's mass is 3 kg.

Use ideas about energy to calculate the maximum possible speed of the rocket, when it hits the ground.

speed = m/s [3]

(e) The rocket falls back to the ground due to the pull of gravity acting on it.

This force is one of a pair of interaction forces.

What does the other force of the interaction pair act on?

Put a **ring** around the correct answer.

- air the Earth exhaust gases rocket space

[1]

[Total: 13]

Turn over

2 This question is based on the article 'Brain power – the frontier of medical research into ageing'.

(a) The **central nervous system** has two main parts.

One part is the brain.

What is the name of the other part?

..... [1]

(b) Name **two** types of neuron.

answer and [1]

(c) The microscopic gap between two neurons is called a synapse.

Explain how a nerve impulse is transmitted across a synapse.

.....
.....
.....
.....
.....
..... [3]

(d) Professor Yankner studied the brains of thirty people.

The people were aged between 26 and 106 years.

Two people were over 100 years old.

What **percentage** of the group of people was over 100 years old?

Show your working.

answer = % [2]

(e) Scientists are doing research into memory.

(i) What is **memory**?

.....
..... [2]

(ii) Some people are more likely to experience loss of **memory** than loss of **balance** as they get older.

What information in the article can be used to explain this?

.....
.....
..... [2]

(iii) Older people may lose their **short-term** memory but keep their **long-term** memory.

Use the **information processing model** to explain why.



One mark is awarded for writing in sentences with correct spelling, punctuation and grammar.

.....
.....
.....
.....
.....
.....
..... [2+1]

[Total: 14]

3 This question is based on the article ‘Copper – not just in mobile phones’.

- (a)** Some of the metals used in mobile phones must be extracted using electrolysis rather than by heating with carbon.

Explain why.

..... [1]

- (b)** Copper mines produce large amounts of waste rock.

The amount of waste rock is much larger than the amount of copper produced.

Explain why.

..... [1]

- (c)** The ‘electrolysis’ process produces sulfuric acid.

Suggest how this sulfuric acid could be recycled in the process.

..... [1]

- (d)** Both the ‘blister’ process and the ‘electrolysis’ process use large amounts of energy.

Each process uses the energy in different ways.

Use information from the flow diagrams to say how the energy is used in each process.

.....
..... [2]

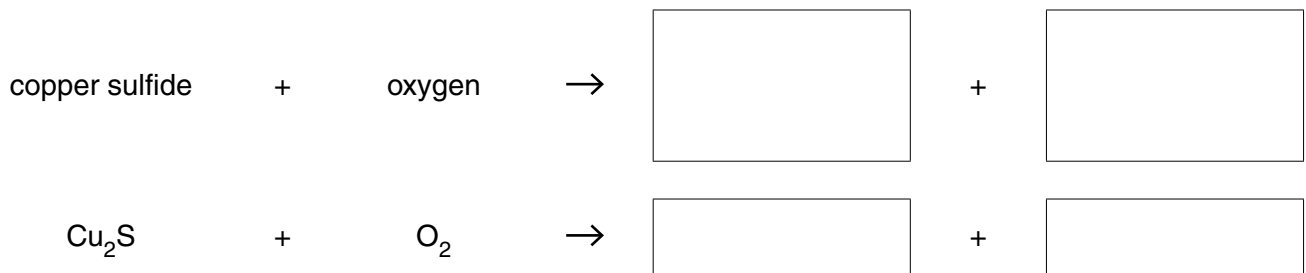
- (e) (i) During the 'blister' process, sulfur is **oxidised**.

Explain what this means.

.....
 [1]

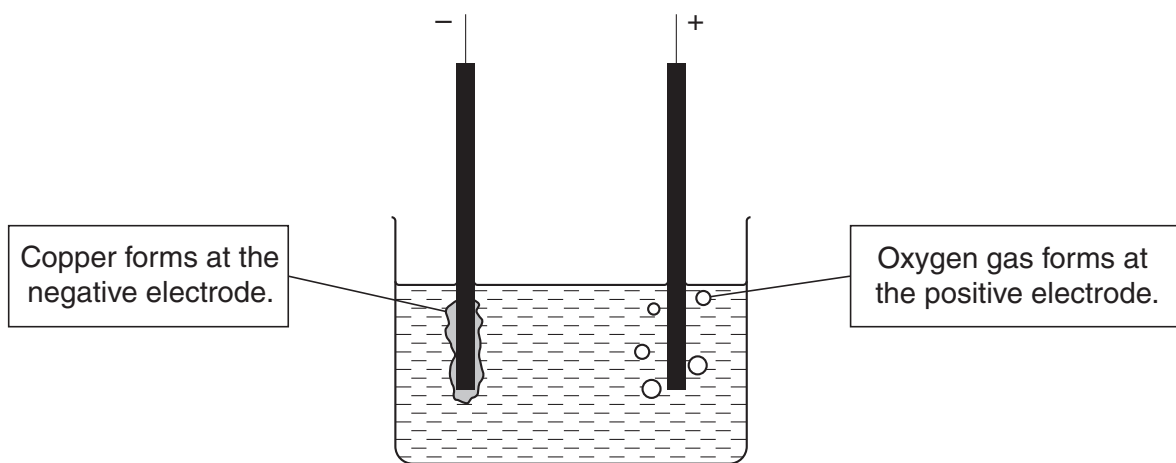
- (ii) In the '**blistering**' step of the 'blister' process, copper sulfide reacts with oxygen.

Fill in the boxes to show the word equation and the balanced symbol equation for this reaction.



[2]

- (f) The diagram shows the products of the electrolysis of dilute copper sulfate solution.



During the electrolysis process, copper ions (Cu^{2+}) change to copper atoms.

Explain how this happens.

.....

 [2]

(g) Copper sulfate is an ionic compound.

Copper sulfate solution and copper metal both conduct electricity.

Outline the differences between the ways that solutions and metals conduct electricity.

.....

.....

.....

.....

.....

..... [3]

[Total: 13]

END OF QUESTION PAPER

PLEASE DO NOT WRITE ON THIS PAGE



Copyright Information

OCR is committed to seeking permission to reproduce all third-party content that it uses in its assessment materials. OCR has attempted to identify and contact all copyright holders whose work is used in this paper. To avoid the issue of disclosure of answer-related information to candidates, all copyright acknowledgements are reproduced in the OCR Copyright Acknowledgements Booklet. This is produced for each series of examinations and is freely available to download from our public website (www.ocr.org.uk) after the live examination series.

If OCR has unwittingly failed to correctly acknowledge or clear any third-party content in this assessment material, OCR will be happy to correct its mistake at the earliest possible opportunity.

For queries or further information please contact the Copyright Team, First Floor, 9 Hills Road, Cambridge CB2 1GE.

OCR is part of the Cambridge Assessment Group; Cambridge Assessment is the brand name of University of Cambridge Local Examinations Syndicate (UCLES), which is itself a department of the University of Cambridge.

The Periodic Table of the Elements

1 2 3 4 5 6 7 0

7 Li lithium 3	9 Be beryllium 4							4 He helium 2									
23 Na sodium 11	24 Mg magnesium 12							20 Ne neon 10									
39 K potassium 19	40 Ca calcium 20	45 Sc scandium 21	48 Ti titanium 22	51 V vanadium 23	52 Cr chromium 24	55 Mn manganese 25	56 Fe iron 26	59 Co cobalt 27	59 Ni nickel 28	63.5 Cu copper 29	65 Zn zinc 30	70 Ga gallium 31	73 Ge germanium 32	75 As arsenic 33	79 Se selenium 34	80 Br bromine 35	84 Kr krypton 36
85 Rb rubidium 37	88 Sr strontium 38	89 Y yttrium 39	91 Zr zirconium 40	93 Nb niobium 41	96 Mo molybdenum 42	[98] Tc technetium 43	101 Ru ruthenium 44	103 Rh rhodium 45	106 Pd palladium 46	108 Ag silver 47	112 Cd cadmium 48	115 In indium 49	119 Sn tin 50	122 Sb antimony 51	127 I iodine 53	131 Xe xenon 54	
133 Cs caesium 55	137 Ba barium 56	139 La* lanthanum 57	178 Hf hafnium 72	181 Ta tantalum 73	184 W tungsten 74	186 Re rhenium 75	190 Os osmium 76	192 Ir iridium 77	195 Pt platinum 78	197 Au gold 79	201 Hg mercury 80	204 Tl thallium 81	207 Pb lead 82	209 Bi bismuth 83	[210] At astatine 85	[222] Rn radon 86	
[223] Fr francium 87	[226] Ra radium 88	[227] Ac* actinium 89	[261] Rf rutherfordium 104	[262] Db dubnium 105	[266] Sg seaborgium 106	[264] Bh bohrium 107	[277] Hs hassium 108	[268] Mt meitnerium 109	[271] Ds darmstadtium 110	[272] Rg roentgenium 111	Elements with atomic numbers 112-116 have been reported but not fully authenticated						

Key

relative atomic mass
atomic symbol
name
atomic (proton) number

1 H hydrogen 1

* The lanthanoids (atomic numbers 58-71) and the actinoids (atomic numbers 90-103) have been omitted.

The relative atomic masses of copper and chlorine have not been rounded to the nearest whole number.