

**GENERAL CERTIFICATE OF SECONDARY EDUCATION  
TWENTY FIRST CENTURY SCIENCE  
ADDITIONAL SCIENCE A**

**A216/01**

Unit 2: Modules B5 C5 P5 (Foundation Tier)

**Tuesday 28 June 2011  
Morning**

**Duration: 40 minutes**

Candidates answer on the question paper.  
A calculator may be used for this paper.

**OCR supplied materials:**  
None

**Other materials required:**

- Pencil
- Ruler (cm/mm)



Candidate forename		Candidate surname	
-----------------------	--	----------------------	--

Centre number						Candidate number				
---------------	--	--	--	--	--	------------------	--	--	--	--

**INSTRUCTIONS TO CANDIDATES**

- Write your name, centre number and candidate number in the boxes above. Please write clearly and in capital letters.
- Use black ink. Pencil may be used for graphs and diagrams only.
- Read each question carefully. Make sure you know what you have to do before starting your answer.
- Write your answer to each question in the space provided. Additional paper may be used if necessary but you must clearly show your candidate number, centre number and question number(s).
- Answer **all** the questions.
- Do **not** write in the bar codes.

**INFORMATION FOR CANDIDATES**

- The number of marks is given in brackets [ ] at the end of each question or part question.
- The total number of marks for this paper is **42**.
- A list of physics equations is printed on page 2.
- The Periodic Table is printed on the back page.
- This document consists of **20** pages. Any blank pages are indicated.

**TWENTY FIRST CENTURY SCIENCE EQUATIONS****Useful Relationships****Explaining Motion**

$$\text{speed} = \frac{\text{distance travelled}}{\text{time taken}}$$

$$\text{momentum} = \text{mass} \times \text{velocity}$$

$$\text{change of momentum} = \text{resultant force} \times \text{time for which it acts}$$

$$\text{work done by a force} = \text{force} \times \text{distance moved in the direction of the force}$$

$$\text{change in energy} = \text{work done}$$

$$\text{change in GPE} = \text{weight} \times \text{vertical height difference}$$

$$\text{kinetic energy} = \frac{1}{2} \times \text{mass} \times [\text{velocity}]^2$$

**Electric Circuits**

$$\text{resistance} = \frac{\text{voltage}}{\text{current}}$$

$$\frac{\text{voltage across primary coil}}{\text{voltage across secondary coil}} = \frac{\text{number of turns in primary coil}}{\text{number of turns in secondary coil}}$$

$$\text{energy transferred} = \text{power} \times \text{time}$$

$$\text{power} = \text{potential difference} \times \text{current}$$

$$\text{efficiency} = \frac{\text{energy usefully transferred}}{\text{total energy supplied}} \times 100\%$$

**The Wave Model of Radiation**

$$\text{wave speed} = \text{frequency} \times \text{wavelength}$$

**BLANK PAGE**

**Question 1 starts on page 4**

**PLEASE DO NOT WRITE ON THIS PAGE**

Answer **all** the questions.

- 1 When the Romans came to Britain they extracted lead from mines in Somerset.

The chemical symbol for lead is **Pb**, which comes from its Roman name.

Lead ore contains lead sulfide.

Lead sulfide is a compound of lead and sulfur only.

- (a) Put a (ring) around the formula of lead sulfide.

**Pbs**      **PBS**      **PbS**      **PbSO<sub>4</sub>**

[1]

- (b) Lead ore contains impurities as well as the lead sulfide.

Roman lead ore contained 10 tonnes of lead in every 100 tonnes of ore.

Ores mined today do not have as much lead.

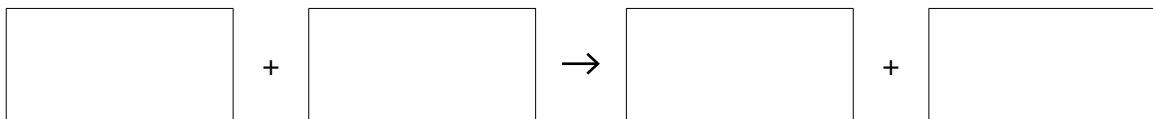
Suggest why modern ores have less lead than Roman ores.

.....

..... [2]

- (c) Lead oxide reacts with lead sulfide to make lead and sulfur dioxide.

Fill in the boxes to complete a word equation for this reaction.



[1]

(d) Some substances are left over after the lead is extracted.

One of these is silicon dioxide – silicon dioxide is a solid.

Sulfur dioxide is also produced – sulfur dioxide is a gas.

Complete the table about solid silicon dioxide and sulfur dioxide gas.

For **each** description put **one** tick (✓) in the correct column to show whether it is true for **silicon dioxide only**, **sulfur dioxide only**, **both** or **neither**.

description	silicon dioxide only	sulfur dioxide only	both	neither
has a high melting point				
has a low melting point				
has covalent bonds				
has ionic bonds				
is a giant structure				
is a simple molecular compound				
has weak forces between molecules				

[4]

(e) The Romans used lead to line water troughs because it could be bent so easily. They also used it to make heavy weights, and they would fill gaps between stones with melted lead.

Draw lines to link each **use** of lead to the **property** that makes it so useful.

use	property
line water troughs	lead has a low melting point
heavy weights	lead is dense
filling gaps in stones	lead is malleable

[2]

(f) World production of lead is about 8500 million tonnes a year.

Of this, about 4000 million tonnes are made from lead ore.

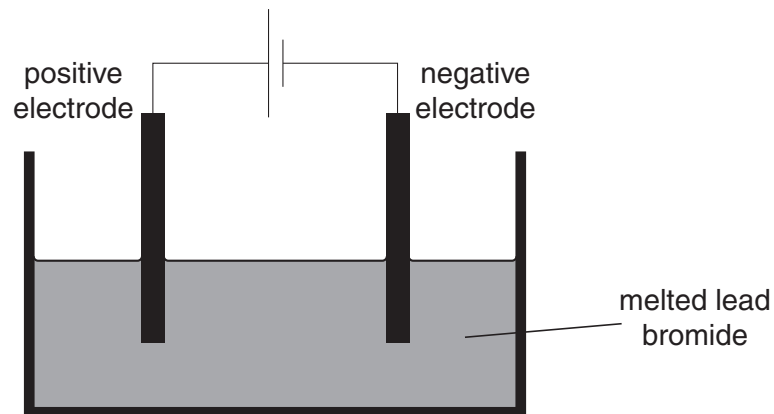
(i) What percentage of the world's lead is made from the ore?

Put a **ring** around the correct answer.

2.125%      47%      50%      53%

[1]

(ii) Mary knows that some compounds can be broken down by electrolysis.



She electrolyses melted lead bromide using carbon electrodes.

The lead bromide breaks down into a gas, bromine, and a dense liquid, lead.

State briefly

- how will she know that bromine gas is being formed
- where will the bromine be formed
- where will the lead be formed?

.....

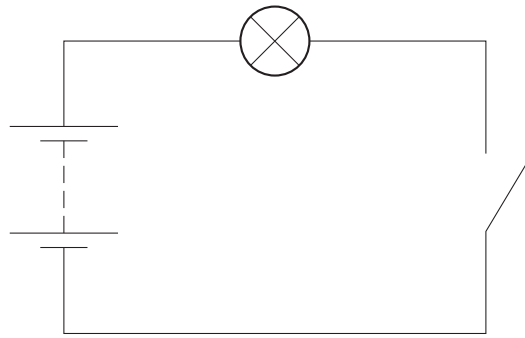
.....

.....

..... [3]

[Total: 14]

2 Jo builds this circuit.



(a) She has a switch in her circuit.

Put a ring around the switch.

[1]

(b) Draw straight lines to link each **component** in the circuit to **its job in the circuit**.

component	its job in the circuit
lamp	pushes charge around the circuit
switch	heats up as charge flows through it
battery	changes resistance from very large to very low

[2]

(c) Jo presses the switch.

The lamp lights up.

Describe what is happening **in the circuit** when the lamp lights up.

Use the terms **charge** and **energy** in your answer.

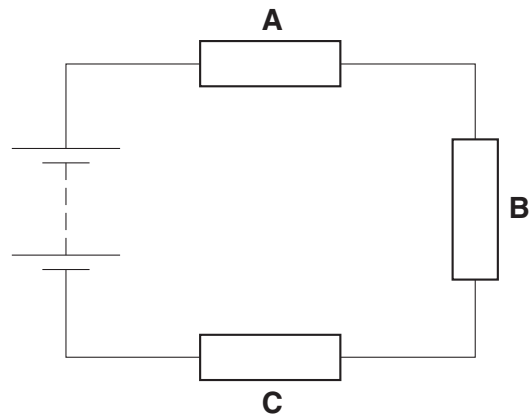
.....

.....

..... [2]

[Total: 5]

- 3 This circuit has three identical resistors, **A**, **B** and **C**, in series with a battery.



- (a) Here are some statements about the circuit.

Put a tick (✓) in the box next to the correct statement.

Resistor **B** has the greatest current.

All three resistors have the same current.

Resistor **C** has a larger current than resistor **A**.

[1]

- (b) The battery provides a potential difference of 6V.

Which of these is another word for potential difference?

Put a ring around the correct word.

**current**

**power**

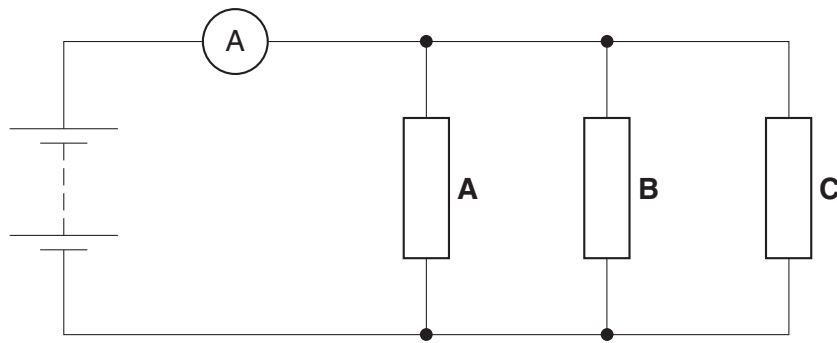
**resistance**

**voltage**

[1]



- (c) The three identical resistors are now connected in parallel to the battery.



The potential difference across the battery is 6V.

- (i) What is the potential difference across each resistor?

potential difference = ..... V [1]

- (ii) The ammeter in the circuit reads 3A.

Calculate the power provided by the battery when the current is 3A.

power = ..... W [1]

- (d) Complete the sentence below. Choose from these words.

**force      power      speed**

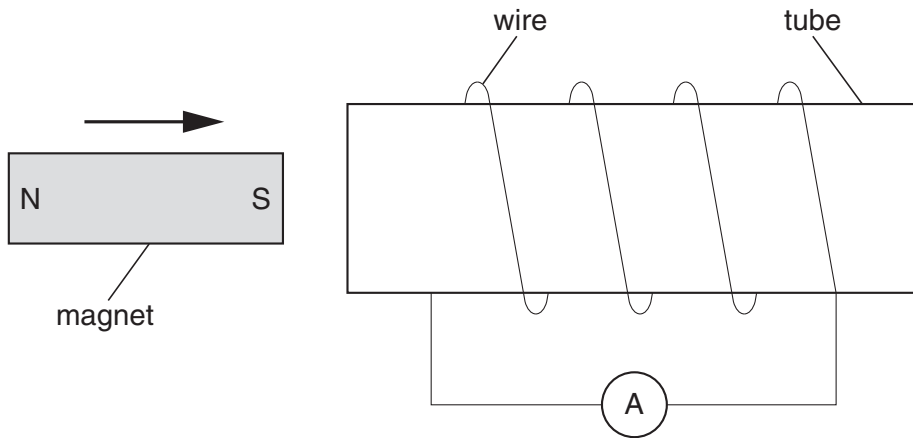
The battery delivers energy to the circuit.

The rate at which it does this is called .....

[1]

**[Total: 5]**

4 Pete pushes a magnet into a tube.



(a) There is a coil of wire around the tube.

Complete the sentences. Choose from these words.

**charge      current      voltage      power**

As the magnet moves into the tube, a ..... is induced across the ends of the coil.

This results in a ..... in the ammeter. [2]

(b) Here are some ways of changing the reading of the ammeter.

Put ticks (✓) in the boxes next to the **two** ways which would **increase** the reading.

- Increase the length of the tube.
- Decrease the length of the tube.
- Move the magnet more slowly into the tube.
- Move the magnet more quickly into the tube.
- Increase the number of turns of wire in the coil.
- Decrease the number of turns of wire in the coil.

[2]

[Total: 4]

5 An animal cell contains proteins.

(a) DNA carries the instructions to make proteins.

Put a ring around the correct words to complete the sentences.

DNA molecules are made of **two** / **three** / **four** strands.

Each strand contains **two** / **three** / **four** different bases. [2]

(b) (i) Which part of the cell contains DNA?

..... [1]

(ii) Which part of the cell makes protein?

..... [1]

[Total: 4]

6 Labradors and poodles are breeds of dog.

A labrador mates with a poodle and produces a puppy.

The puppy has chromosomes from both the labrador and the poodle.



(a) The labrador has 78 chromosomes in each body cell.

The table shows chromosome numbers in each body cell of the labrador, the poodle and the puppy.

	chromosomes in labrador	chromosomes in poodle	chromosomes in puppy
<b>A</b>	78	78	156
<b>B</b>	78	78	78
<b>C</b>	78	46	46
<b>D</b>	78	39	39

Which row, **A**, **B**, **C** or **D**, is correct?

answer ..... [1]

(b) The puppy cells have chromosomes from both parents.

Explain why the cells have chromosomes from both parents.

Include in your answer

- what type of cell division produces gametes
- what happens to the chromosome number when a gamete is formed
- what happens when the gametes fuse.

.....

.....

.....

..... [3]

[Total: 4]

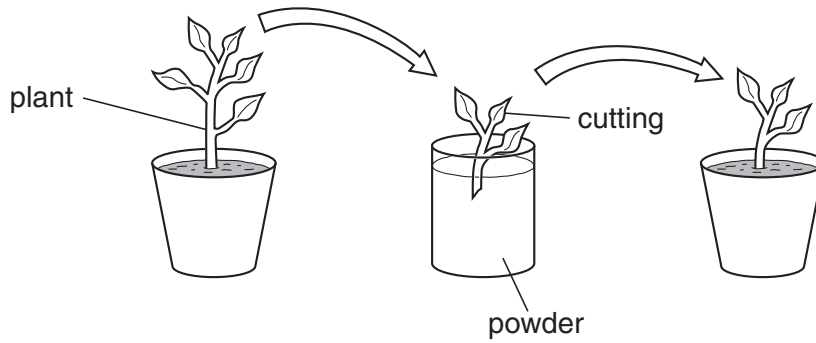
7 Ray grows plants for a garden centre.

He selects a healthy plant and takes a cutting.

He dips the cutting into a special powder.

The cutting grows into a clone of the original plant.

The diagram shows the process.



(a) Explain why he dips the cutting in special powder.

In your answer include

- what the powder contains
- what effect it has on the cutting.

.....

.....

..... [2]

(b) The cutting makes new cells when it grows.

Some cells can develop into different types of cells.

Draw **one** line from each **type of cell** to its correct **property**.

You should draw **three** lines only.

type of cell	property
phloem	can develop into different types of cells
meristem	cannot develop into different types of cells
xylem	

[2]

(c) Both plants and animals grow.

Which statement is correct?

Put a tick (✓) in the box next to the correct answer.

Animals and plants continue to grow in width and height all their lives.

Animals and plants have some cells which continue to divide by mitosis.

Animals and plants have only specialised cells.

[1]

(d) What happens to chromosomes during mitosis?

Put a tick (✓) in the box next to the correct answer.

Spare chromosomes die off.

Chromosomes change their function.

Chromosomes separate.

Chromosomes link together.

[1]

[Total: 6]

**END OF QUESTION PAPER**



17  
**BLANK PAGE**

**PLEASE DO NOT WRITE ON THIS PAGE**

**18**  
**BLANK PAGE**

**PLEASE DO NOT WRITE ON THIS PAGE**

**PLEASE DO NOT WRITE ON THIS PAGE**



**Copyright Information**

OCR is committed to seeking permission to reproduce all third-party content that it uses in its assessment materials. OCR has attempted to identify and contact all copyright holders whose work is used in this paper. To avoid the issue of disclosure of answer-related information to candidates, all copyright acknowledgements are reproduced in the OCR Copyright Acknowledgements Booklet. This is produced for each series of examinations and is freely available to download from our public website ([www.ocr.org.uk](http://www.ocr.org.uk)) after the live examination series.

If OCR has unwittingly failed to correctly acknowledge or clear any third-party content in this assessment material, OCR will be happy to correct its mistake at the earliest possible opportunity.

For queries or further information please contact the Copyright Team, First Floor, 9 Hills Road, Cambridge CB2 1GE.

OCR is part of the Cambridge Assessment Group; Cambridge Assessment is the brand name of University of Cambridge Local Examinations Syndicate (UCLES), which is itself a department of the University of Cambridge.

