

Candidate Name	Centre Number	Candidate Number
		4



Entry Level

725/05

GRAPHICAL AND MATERIAL STUDIES (Core)

P.M. THURSDAY, 13 March 2008

$\frac{1}{2}$ hour

Examiner only

Total Marks	
------------------------	--

INSTRUCTIONS TO CANDIDATES

Write your name, centre number and candidate number in the spaces at the top of this page.

Answer **all** the questions.

Underline the correct answer **or** sketch **or** write in the spaces provided in this booklet.

If you have difficulty in reading a question, put up your hand and the teacher-in-charge will read it to you.

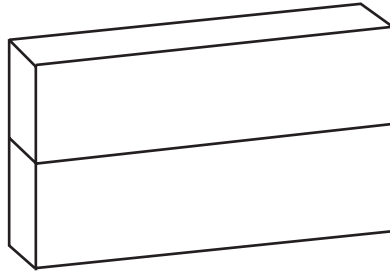
INFORMATION FOR CANDIDATES

Each question carries **five** marks.

Answer **all** questions.

Underline the correct answer or sketch or write in the spaces provided.

1. The joint shown below can be used in the Design and Technology room for joining Wood or Metal or Plastic.



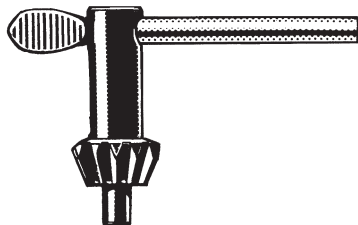
The joint shown above is **one** (1) of the following:

- (a) Edge joint;
- (b) Butt joint;
- (c) Seam joint;
- (d) Flat joint.

Underline the correct answer.

[5]

2. The piece of equipment shown is used on a Drilling machine in the Design and Technology room.



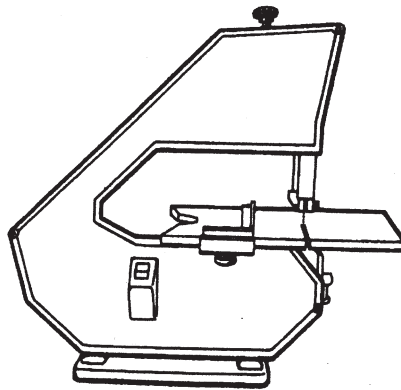
The piece of equipment shown above is **one** (1) of the following:

- (a) Key lock;
- (b) Drill lock;
- (c) Chuck key;
- (d) Twist key.

Underline the correct answer.

[5]

3. The mechanical saw shown below is used in the Design and Technology room.



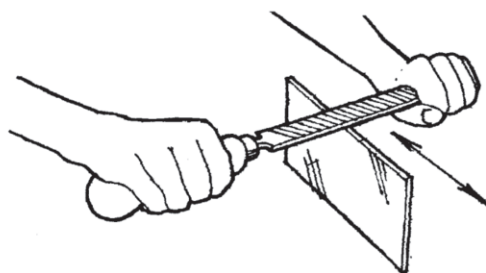
The mechanical saw shown above is **one** (1) of the following:

- (a) Band saw;
- (b) Circular saw;
- (c) Bow saw;
- (d) Hegner saw.

Underline the correct answer.

[5]

4. The method of cleaning up the edge of a piece of Metal and Plastic is shown below.



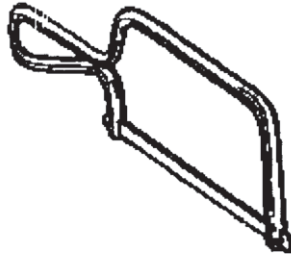
The method of cleaning the edge of the material is **one** (1) of the following:

- (a) edge filing;
- (b) sketch filing;
- (c) smooth filing;
- (d) draw filing.

Underline the correct answer.

[5]

5. The saw shown below is used in the Design and Technology room.



The saw shown above is **one** (1) of the following:

- (a) Tenon saw;
- (b) Hand saw;
- (c) Junior Hack saw;
- (d) Coping saw.

Underline the correct answer.

[5]

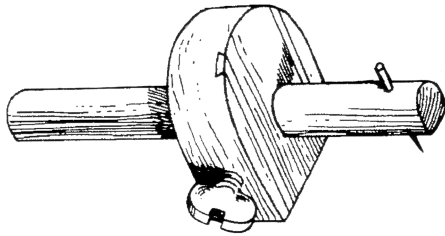
6. Pencil's are graded by the *hardness* or *softness* of the leads inside them.

On the line below, name **four** (4) types of Pencil lead and put them in the correct order of hardness.

.....

[5]

7. The tools shown below are used for the same process in the Design and Technology room.



The tools shown above are used for **one** (1) of the following:

- (a) marking lines at right angles to an edge of the material;
- (b) copying shapes;
- (c) drawing circles;
- (d) marking lines parallel with the edge of the material.

Underline the correct answer.

[5]

8. Many different types of *holding devices* are used in the Design and Technology room.

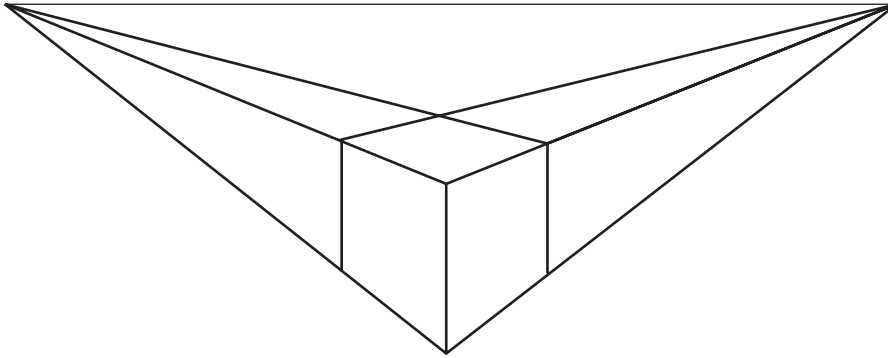
On the lines below name **three** (3) different types of *holding devices* that you have used in your coursework.

Holding device 1: [1]

Holding device 2: [2]

Holding device 3: [2]

9. The type of drawing shown below is often used when drawing pictures.



The type of drawing shown above is for **one** (1) of the following:

- (a) Two Point perspective drawing;
- (b) Isometric projection;
- (c) Orthographic projection;
- (d) Working drawing.

Underline the correct answer.

[5]

10. On the lines below, **complete** the sentence.

Abrasive paper is used for

.....

.....

.....

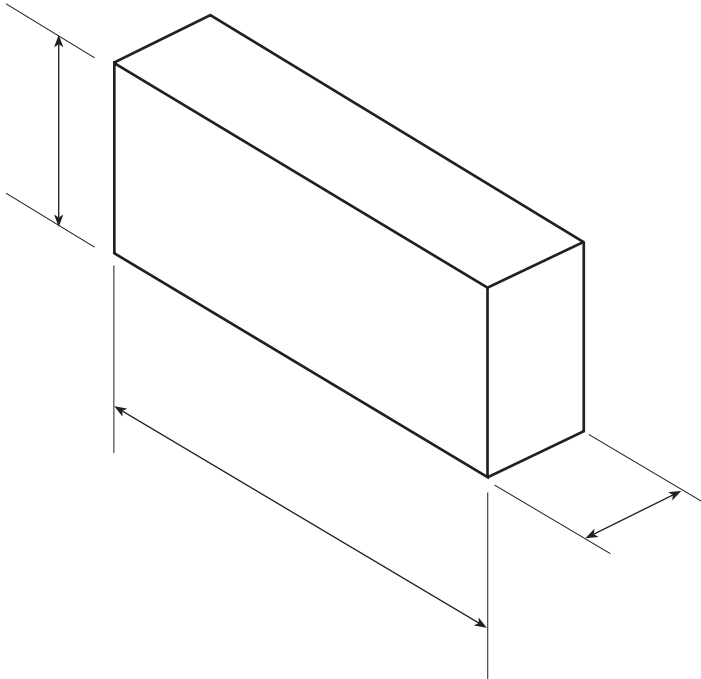
[5]

11. A piece of Metal is shown below.

Put the dimensions (sizes) in correct places **on the dimension lines**.

[2]

The dimensions (sizes) have been given at the bottom of the question.



NOT TO SCALE

- L = 100 mm [1]
- W = 25 mm [1]
- T = 15 mm [1]

12. On the lines below, complete the following sentence.

A Scale Drawing is

.....

.....

.....

[5]

13. Complete the sentences below about **materials**, using answers from the list below.

- a type of glue;
- a type of man-made board;
- a type of finish;
- a type of hinge;
- a type of plastic;
- a type of nail.

M.D.F. is [2]

A.B.S. is [3]

14. This question is about types of finish you have used in your coursework.

(a) Name **one** (1) finish you have used. [1]

(b) Complete the following sentence.

I applied my chosen finish by

.....

.....

.....

[4]

15. This question is about planning your coursework.

Complete the following sentence.

A Cutting list is

.....

.....

[5]

16. This question is about personal safety when carrying out your coursework.

On the lines below, name **three** (3) pieces of Personal Protective Equipment (PPE)

(a) [1]

(b) [2]

(c) [2]

17. This question is about using the Sanding Disc safely.

On the lines below state **five** (5) safety rules which you **MUST** follow when using a Sanding Disc.

General safety rules will **NOT** be accepted.

- (a) [1]
- (b) [1]
- (c) [1]
- (d) [1]
- (e) [1]

18. In the space below **sketch** a Joint that you have used in your coursework. [5]

19. In the space below, **sketch** a Mallet or a Hammer you have used in your coursework. [5]

20. In the space below **sketch** a Chisel you have used in your coursework. [5]