

Candidate Name	Centre Number	Candidate Number
		4



Entry Level

725/02

GRAPHICAL AND MATERIAL STUDIES (Graphics)

P.M. THURSDAY, 13 March 2008

$\frac{1}{2}$ Hour

Examiner only

Total Marks	
------------------------	--

ADDITIONAL MATERIALS

In addition to this examination paper, you will need:

- a separate sheet of A4 paper;
- a separate sheet for use with Question 11;
- basic drawing instruments: ruler, pencil, eraser, set squares, protractor, compass;
- coloured pencils.

INSTRUCTIONS TO CANDIDATES

Write your name, centre number and candidate number in the spaces at the top of this page.

Answer **all** questions in Section A, in the spaces provided in this booklet.

Answer only **one** question from Section B, **on the separate A4 paper provided.**

If you have difficulty in reading a question, put up your hand and the teacher-in-charge will read it to you.

INFORMATION FOR CANDIDATES

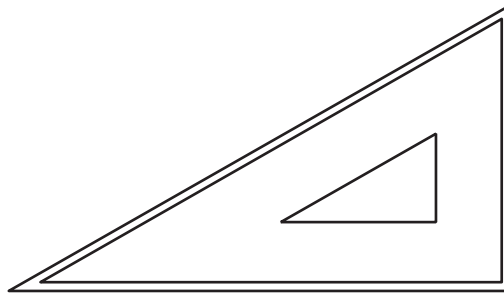
Section A: **Each** question carries **five** marks.

Section B: **Each** question carries **fifty** marks.

SECTION A

*Answer **all** questions in this section in the spaces provided.*

1. The piece of equipment is used in the Design and Technology room.



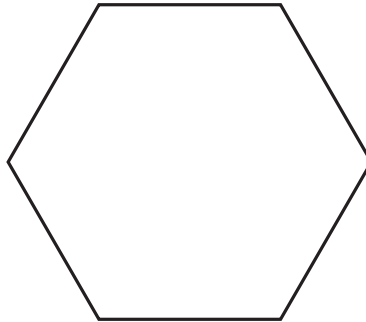
The drawing instrument shown is **one** (1) of the following:

- (a) Compass;
- (b) 30°/60° set square;
- (c) Try square;
- (d) 45° set square.

Underline the correct answer.

[5]

2. The drawing below is a geometric shape.



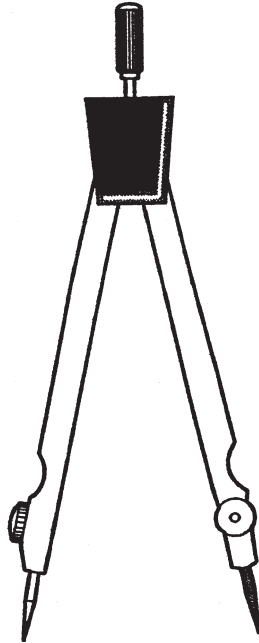
The shape shown is **one** (1) of the following:

- (a) Cube;
- (b) Square;
- (c) Hexagon;
- (d) Triangle.

Underline the correct answer.

[5]

3. The piece of equipment is used in the Design and Technology room.



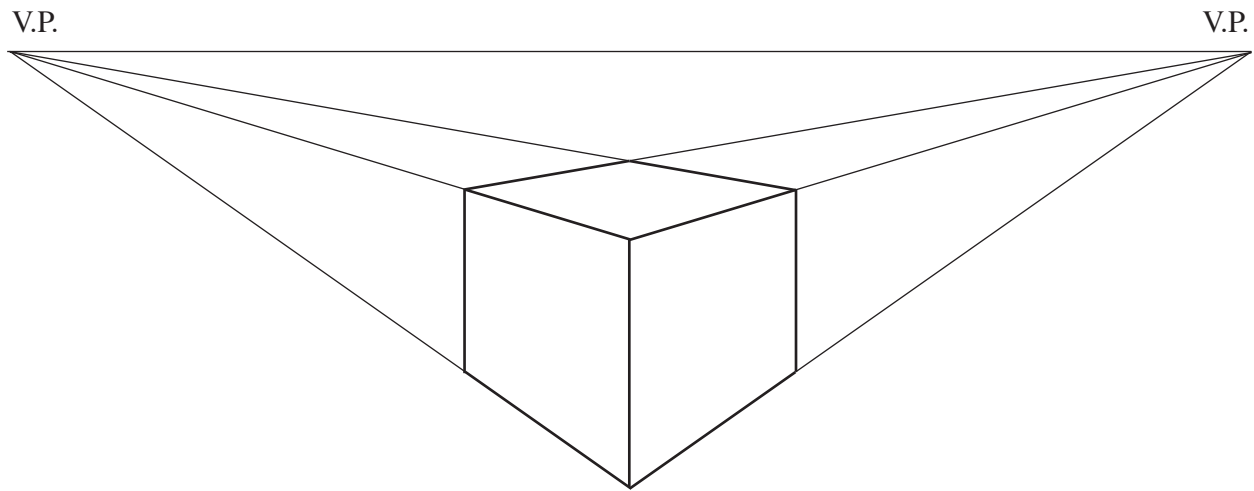
The drawing instrument shown is **one** (1) of the following:

- (a) Compass;
- (b) Protractor;
- (c) Try square;
- (d) Pencil.

Underline the correct answer.

[5]

4. A 3D drawing is shown below.



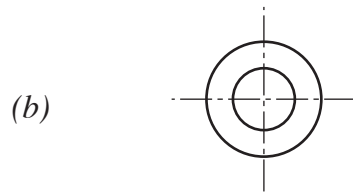
The drawing shown is **one** (1) of the following:

- (a) Two point perspective drawing;
- (b) Isometric drawing;
- (c) Orthographic drawing;
- (d) Oblique drawing.

Underline the correct answer.

[5]

5. The symbols below are used in Graphics.

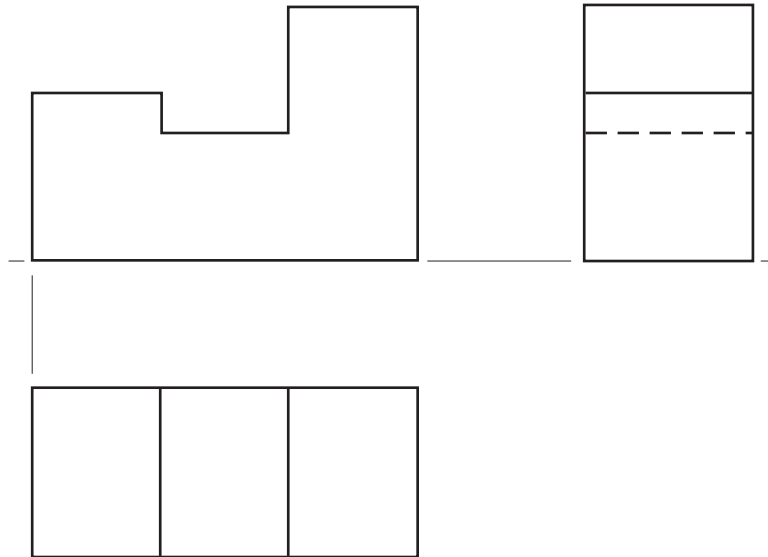


Which **one** (1) is the correct symbol for “diameter”?

Underline the correct answer.

[5]

6. The drawings below show a graphical projection.



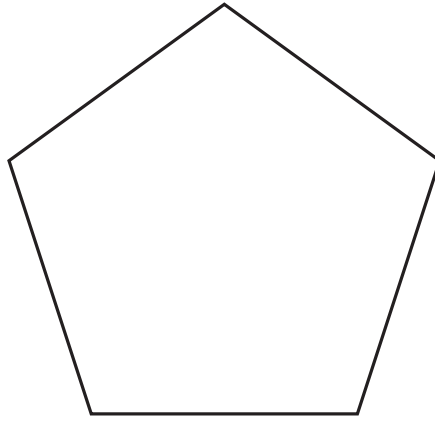
The projection shown is **one** (1) of the following:

- (a) Perspective;
- (b) Oblique;
- (c) Isometric;
- (d) Orthographic.

Underline the correct answer.

[5]

7. The drawing below is a geometric shape.



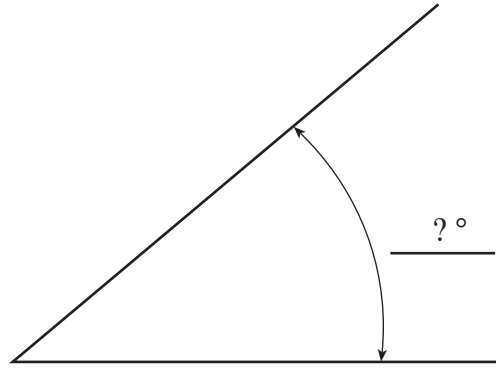
The shape shown is **one** (1) of the following:

- (a) Hexagon;
- (b) Pentagon;
- (c) Octagon;
- (d) Circle.

Underline the correct answer.

[5]

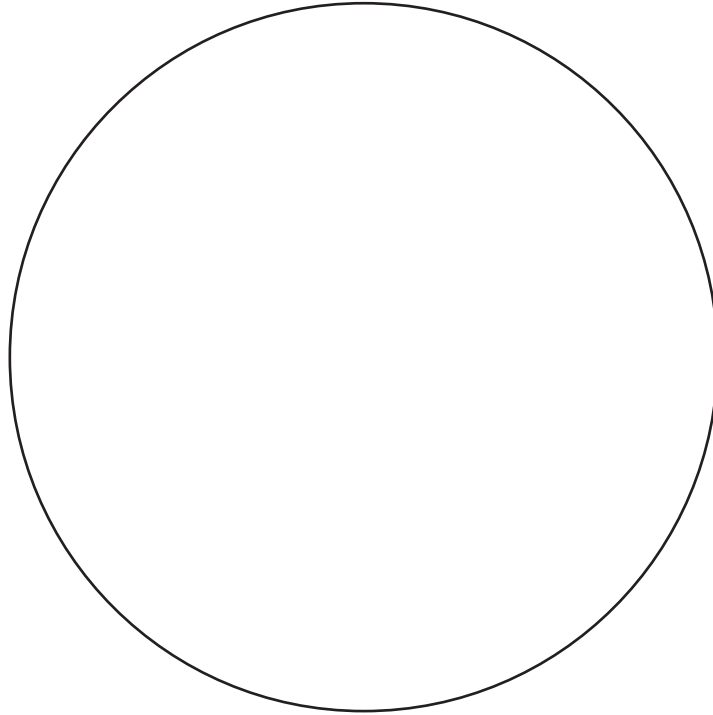
8. You will need to use a protractor to measure the angle.



The angle shown above measures °.

[5]

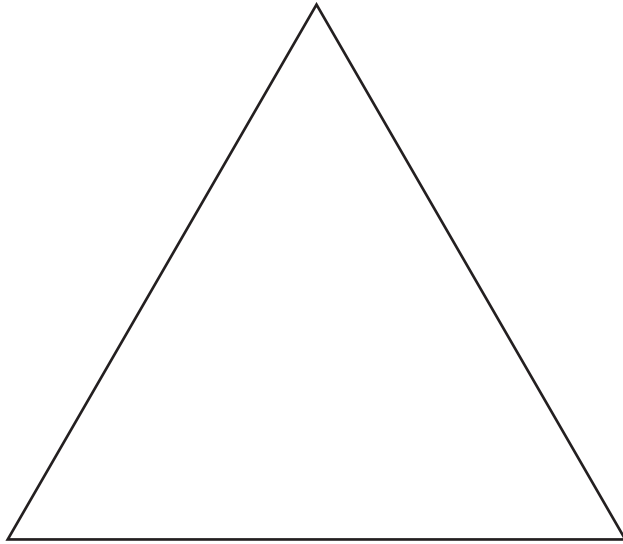
9. The drawing below shows a circle.



Using drawing instruments, find the centre of the circle.

[5]

10. The drawing below is an equilateral triangle.



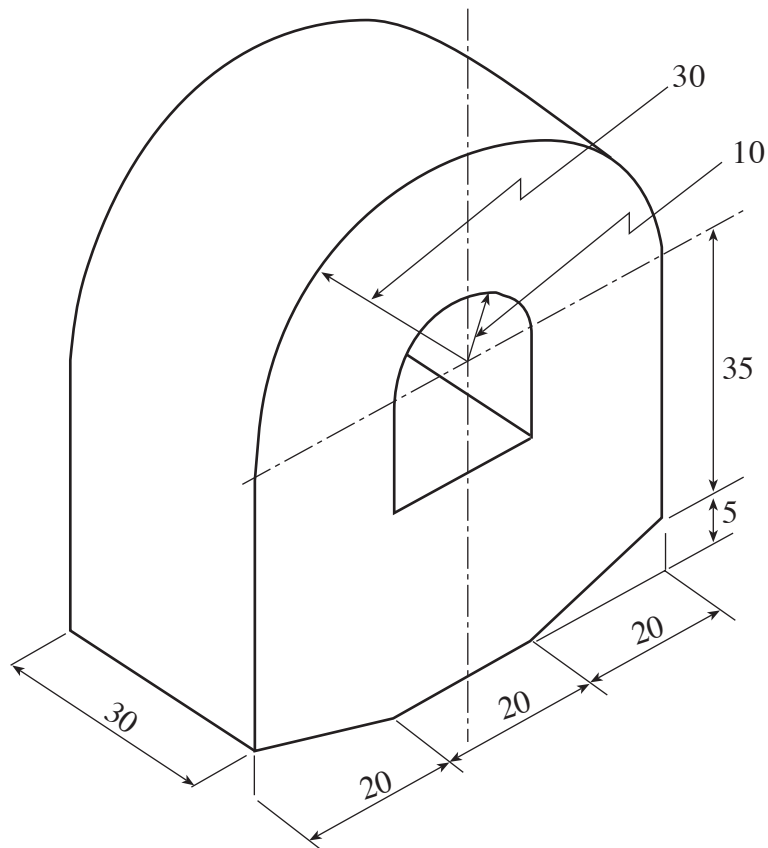
Use drawing instruments to find the centre of the equilateral triangle.

[5]

SECTION B

Only answer **one** (1) question from this section on the separate paper provided.

11. The drawing below shows a marking gauge stock which can be found in the Design and Technology room. From the drawing complete the three views.



[50]

12. Draw a calculator.

It must be a presentation drawing and you **must** use **colour** and **shading**. You **must** also use **simple notes with arrows** to explain how it works and what it is used for. [50]