

| | | |
|----------------|---------------|------------------|
| Candidate Name | Centre Number | Candidate Number |
| | | |

WELSH JOINT EDUCATION COMMITTEE



CYD-BWYLLGOR ADDYSG CYMRU

ENTRY LEVEL CERTIFICATE

TYSTYSGRIF LEFEL MYNEDIAD

725/05

Entry Level Certificate

GRAPHICAL AND MATERIAL STUDIES

(Core)

P.M. THURSDAY, 23 March 2006

(½ Hour)

Examiner only

| | |
|------------------------|--|
| Total Marks | |
|------------------------|--|

INSTRUCTIONS TO CANDIDATES

Write your name, centre number and candidate number in the spaces at the top of this page.

Answer **all** the questions.

Underline the correct answer **or** sketch **or** write in the spaces provided in this booklet.

If you have difficulty in reading a question, put up your hand and the teacher-in-charge will read it to you.

INFORMATION FOR CANDIDATES

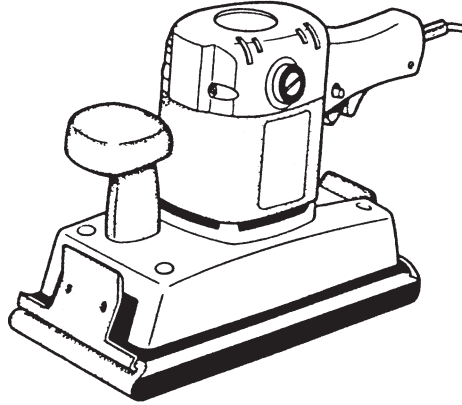
Each question carries **five** marks.

No certificate will be awarded to a candidate detected in any unfair practice during the examination.

Answer **all** questions.

Underline the correct answer or sketch or write in the spaces provided.

1. The tool shown below is used in the Design and Technology room.



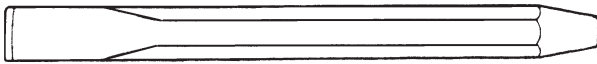
Write the correct name of the tool on the line below.

[5]

.....

2. The tools shown below are used in the Design and Technology room.

They look similar but they are used on different materials.



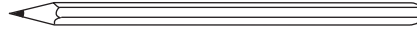
The tools shown are used for **one** (1) of the following processes:

- (a) screwing in screws;
- (b) stirring paint;
- (c) removing waste materials from wood and metal;
- (d) levering out nails and screws.

Underline the correct answer.

[5]

3. The tools shown below are used in the Design and Technology room.
They look similar but they are used on different materials.



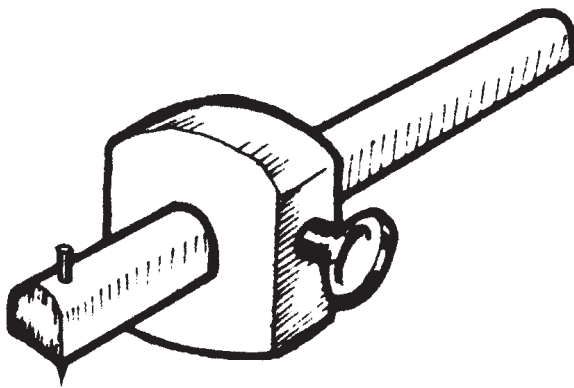
The tools shown are used for **one** (1) of the following processes:

- (a) drawing lines on materials;
- (b) shading in sketches;
- (c) drawing on whiteboards;
- (d) removing scrap from holes.

Underline the correct answer.

[5]

4. The tools shown below are used in the Design and Technology room.
They look similar but they are used on different materials.



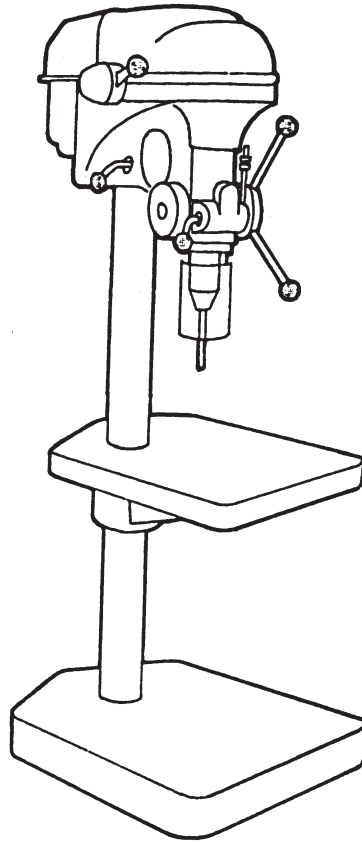
The tools shown are used for **one** (1) of the following processes:

- (a) making holes before drilling;
- (b) checking sizes of round materials;
- (c) marking a line parallel to the edge of the material;
- (d) measuring the length of long pieces of material.

Underline the correct answer.

[5]

5. The machine shown below is used in the Design and Technology room.



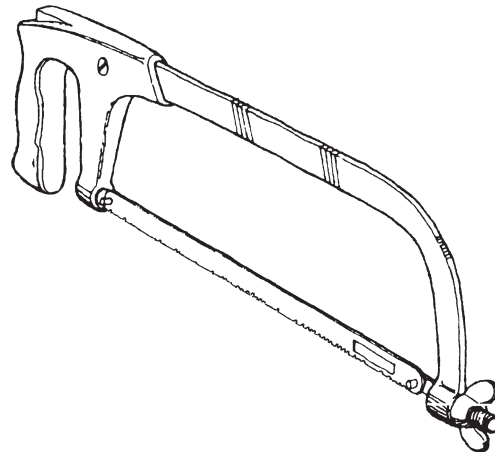
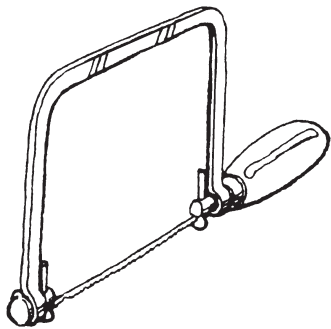
Write the correct name of the machine on the line below.

[5]

.....

6. The tools shown below are used in the Design and Technology room.

They look similar but they are used on different materials.

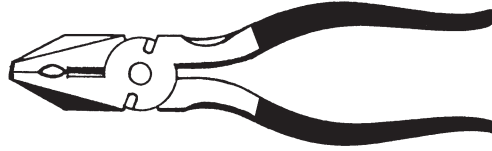


[2]

[3]

Write the correct name of **each** tool on the lines above.

7. The tool shown below is used in the Design and Technology room.



Write the correct name of the tool on the line below.

[5]

.....

8. This question is about the Design Process.

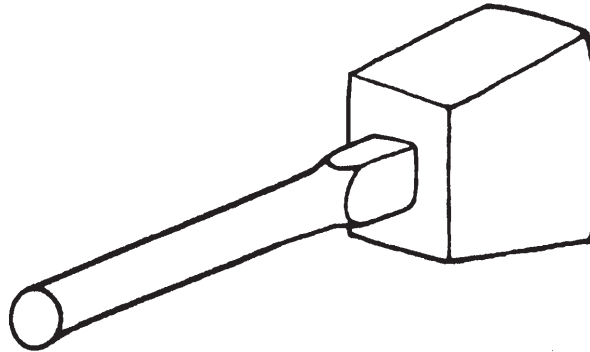
On the lines, **name three** (3) sources or places where you can find information before you start your research.

(a) [1]

(b) [2]

(c) [2]

9. The tool shown below is used in the Design and Technology room.



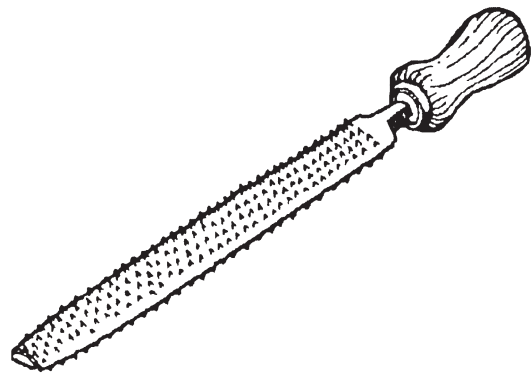
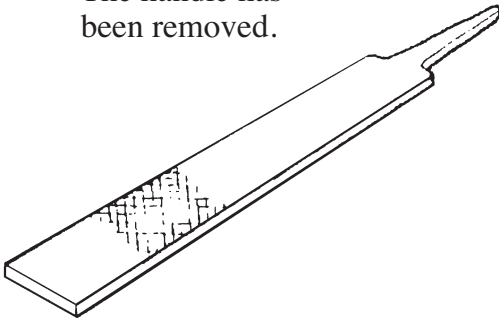
Write the correct name of the tool on the line below.

[5]

10. The tools shown below are used in the Design and Technology room.

They look similar but they are used on different materials.

The handle has
been removed.



The tools shown are used for **one** (1) of the following processes:

- (a) removing dirt from other tools;
- (b) removing waste materials from wood or metal;
- (c) removing lids from paint tins;
- (d) removing scrap from vices.

Underline the correct answer.

[5]

11. This question is about cleaning up material before applying (putting on) a finish.

Choose one (1) of the materials you have used to make any of your coursework items and on the lines below:

(a) name the material [1]

(b) describe how you ‘cleaned up’ the **edge**. [4]

.....
.....
.....

12. The following words are used in Design and Technology.

Coniferous

Non Ferrous

Acrylic

Underline one (1) of the words.

On the lines below, **describe** what your chosen word means. [5]

.....
.....
.....

13. This question is about types of materials used in your coursework.

The following letters are used as shortened versions of certain materials.

Complete each of the following statements.

M.D.F. means [2]

P.V.C. means [3]

14. This question is about types of finishes used in Design and Technology.

Write one (1) sentence for **each** of your answers.

(a) How would you prevent (stop) metal from rusting? [2]

.....
.....

(b) How would you prevent (stop) wood from rotting, if a product was to be used outside? [3]

.....
.....
.....

15. This question is about glues used in Design and Technology.

On the lines below, **name three** (3) different types of glue.

You can use '*trade*' names.

(i) [1]

(ii) [1]

(iii) [3]

16. This question is about holding devices used in the Design and Technology room.

On the lines below, **name three** (3) different cramps.

(i) [1]

(ii) [1]

(iii) [3]

17. This question is about personal safety in the Design and Technology room.

On the lines below, **name five** (5) different types of safety equipment.

- (i) [1]
- (ii) [1]
- (iii) [1]
- (iv) [1]
- (v) [1]

18. This question is about fixings used in Design and Technology.

In the space below, **sketch either** a Bolt **or** a Screw. [5]

19. In the space below, **sketch** a Hammer.

[5]

20. In the space below, **sketch** a Bench Hook.

[5]