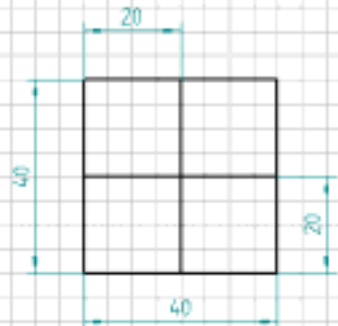


**2003**

**CAREER AWARD IN ICT**  
Standard Level

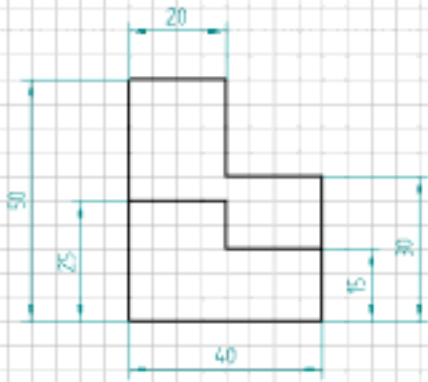
**MARK SCHEME**

**MODULE: 5195/A**  
**COMPUTER AIDED DESIGN**

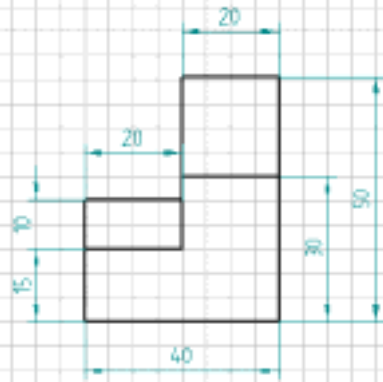


Plan View C

Should display Elevations as shown, including external dimensions on all three views.



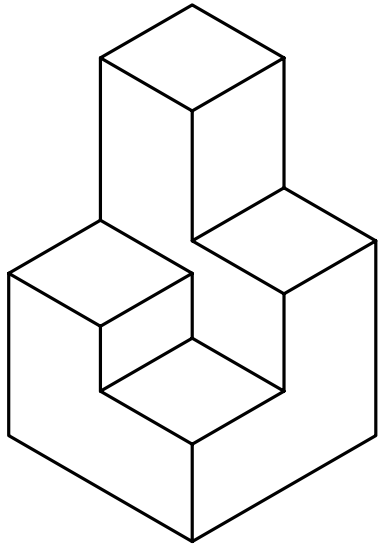
Front View A



End View B

Should display Title block, which contains: Title, scale, dimensions, name and date

Title : Bracket
Scale 1:1
Dimensions all in millimeters
Date : 24/02/2002
Drawn by : A.Jones

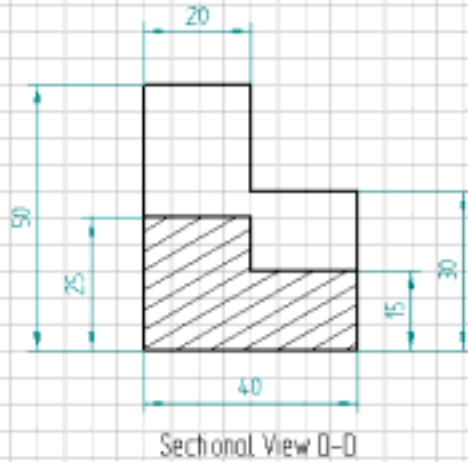


Isometric View

Should display  
 Isometric projection in 3 planes at 60 degree angles.  
 No dimensions on the diagram but dimensions must match the specification.  
 Centre lines and hidden detail not required. Do not penalise if present.

Should display  
 Title block, which contains: Title, scale, dimensions, name and date

Title : Bracket
Scale 1:1
Dimensions all millimeters
Date : 24/02/2002
Drawn by : Jones



Should display  
Elevation including hatching as shown

Should display  
Title block, which contains: Title, scale, dimensions, name and date

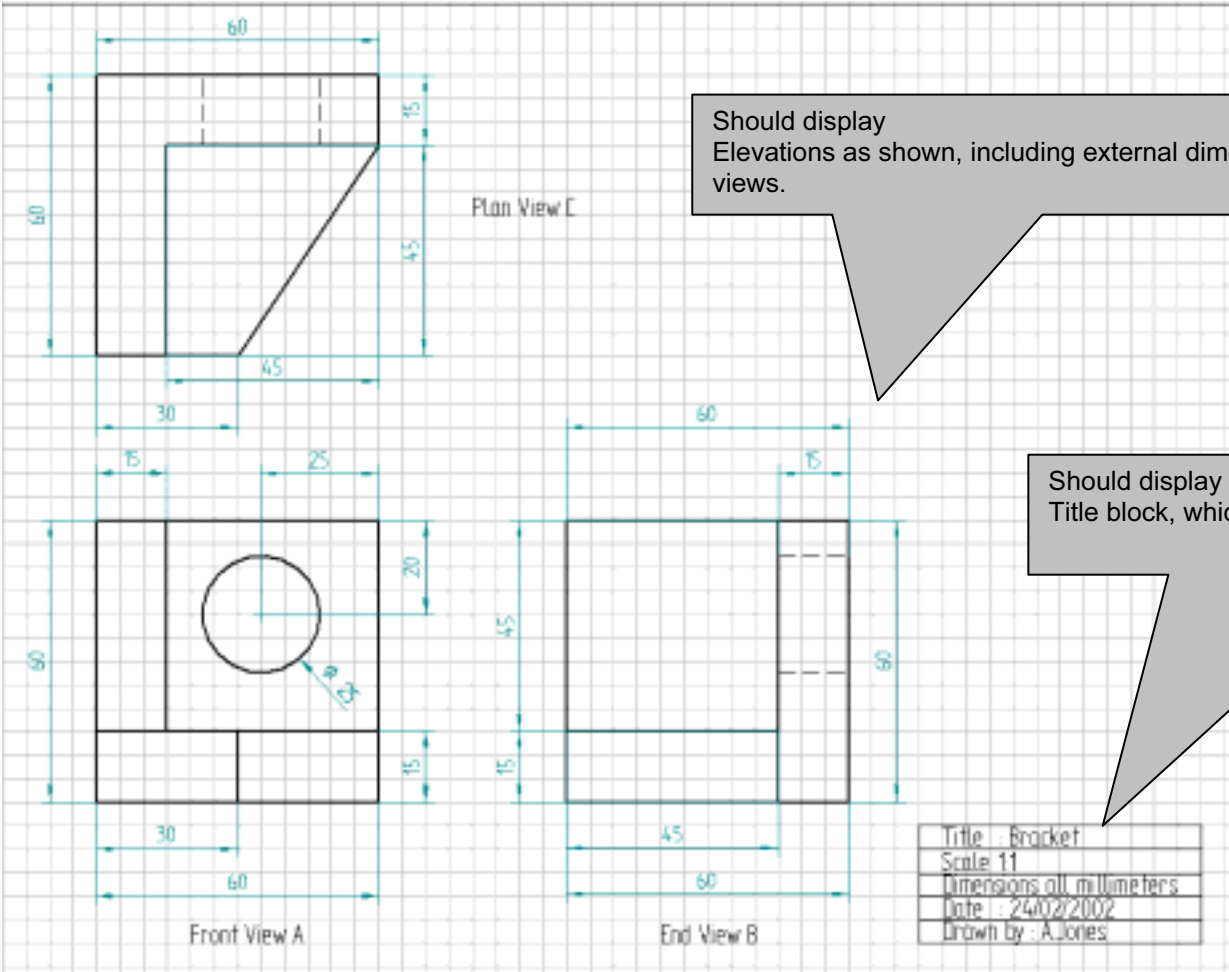
Title : Bracket
Scale 1:1
Dimensions all millimeters
Date : 24/02/2002
Drawn by : A.Jones

**2003**

**CAREER AWARD IN ICT**  
Standard Level

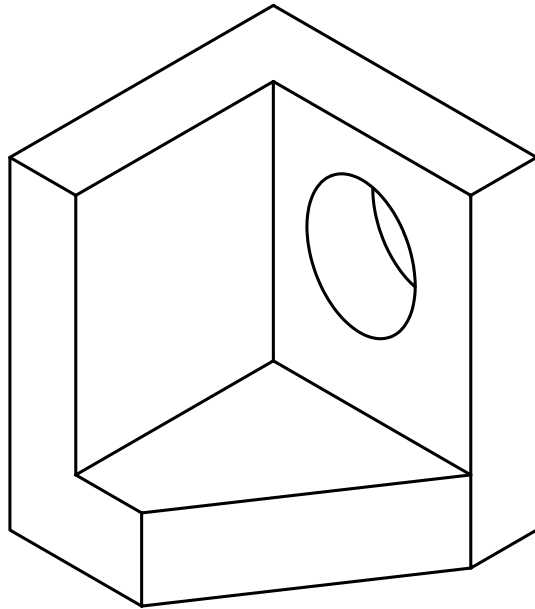
**MARK SCHEME**

**MODULE: 5195/B**  
**COMPUTER AIDED DESIGN**



Should display Elevations as shown, including external dimensions on all three views.

Should display Title block, which contains: Title, scale, dimensions, name and date

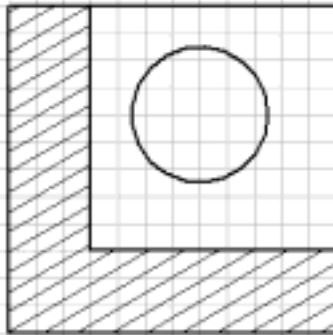


Isometric View

Should display  
 Isometric projection in 3 planes at 60 degree angles.  
 No dimensions on the diagram but dimensions must match the specification.  
 Centre lines and hidden detail not required. Do not penalise if present.

Should display  
 Title block, which contains: Title, scale, dimensions, name and date

Title : Bracket
Scale 1:1
Dimensions all millimeters
Date : 24/02/2002
Drawn by : Jones



Should display  
Elevation including hatching as shown

Sectional View D-D

Should display  
Title block, which contains: Title, scale, dimensions, name and date

Title : Bracket
Scale 1:1
Dimensions all millimeters
Date : 24/02/2002
Drawn by : A Jones

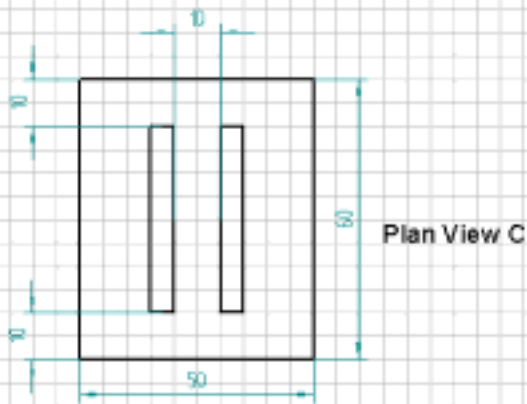


**2003**

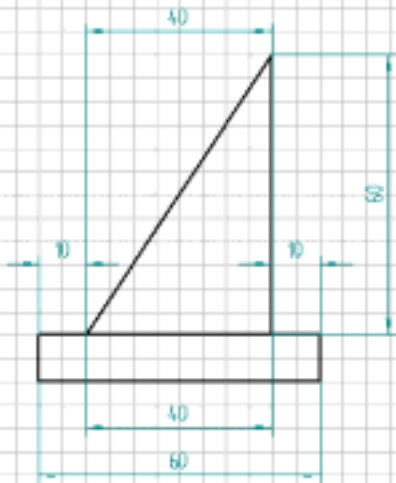
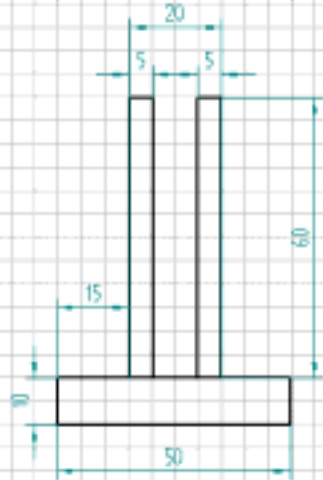
**CAREER AWARD IN ICT**  
Standard Level

**MARK SCHEME**

**MODULE: 5195/C**  
**COMPUTER AIDED DESIGN**



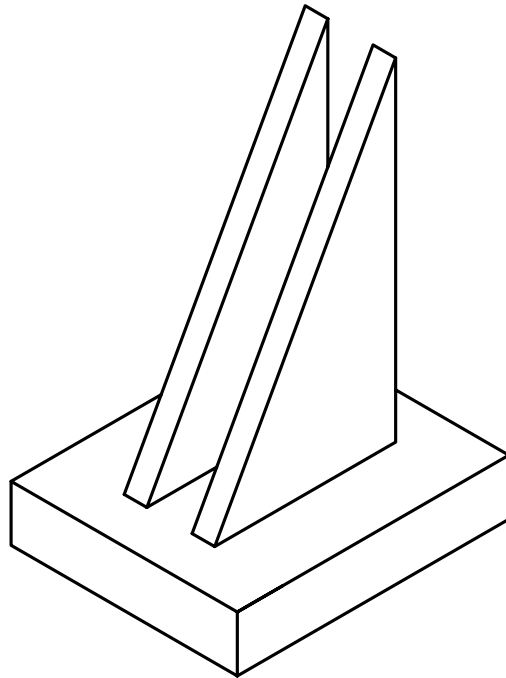
Should display Elevations as shown, including external dimensions on all three views.



Should display Title block, which contains: Title, scale, dimensions, name and date

Title : Bracket
Scale 1:1
Dimensions all millimeters
Date : 24/02/2002
Drawn by : A.Jones

<b>Page 2</b>	<b>Mark Scheme</b>	<b>Module</b>
	<b>ICT CAREER AWARD - 2003</b>	<b>5195/C</b>

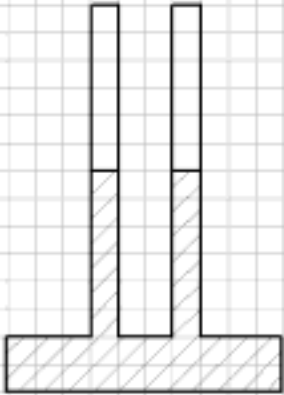


Isometric View

Should display  
 Isometric projection in 3 planes at 60 degree angles.  
 No dimensions on the diagram but dimensions must match the specification.  
 Centre lines and hidden detail not required. Do not penalise if present.

Should display  
 Title block, which contains: Title, scale, dimensions, name and date

Title : Basket
Scale 1:1
Dimensions all millimeters
Date : 24/02/2002
Drawn by : Jones



Sectional View D-D

Should display  
Elevation including hatching as shown

Should display  
Title block, which contains: Title, scale, dimensions, name and date

Title : Bracket
Scale 1:1
Dimensions all millimeters
Date : 24/02/2002
Drawn by : A Jones