

UNIVERSITY OF CAMBRIDGE INTERNATIONAL EXAMINATIONS

Cambridge International Diploma Standard Level

MARK SCHEME for the 2005 question paper

CAMBRIDGE INTERNATIONAL DIPLOMA IN ICT

5195 Computer Aided Design, maximum mark 100

This mark scheme is published as an aid to teachers and students, to indicate the requirements of the examination. It shows the basis on which Examiners were initially instructed to award marks. They do not indicate the details of the discussions that took place at an Examiners' meeting before marking began. Any substantial changes to the mark scheme that arose from these discussions will be recorded in the published *Report on the Examination*.

All Examiners are instructed that alternative correct answers and unexpected approaches in candidates' scripts must be given marks that fairly reflect the relevant knowledge and skills demonstrated.

Mark schemes must be read in conjunction with the question papers and the *Report on the Examination*.

- CIE will not enter into discussion or correspondence in connection with these mark schemes.

CIE is publishing the mark schemes for the November 2005 question papers for most IGCSE and GCE Advanced Level and Advanced Subsidiary Level syllabuses and some Ordinary Level syllabuses.



UNIVERSITY of CAMBRIDGE
International Examinations

2005

CAMBRIDGE INTERNATIONAL DIPLOMA

Standard Level

MARK SCHEME

MAXIMUM MARK: 100

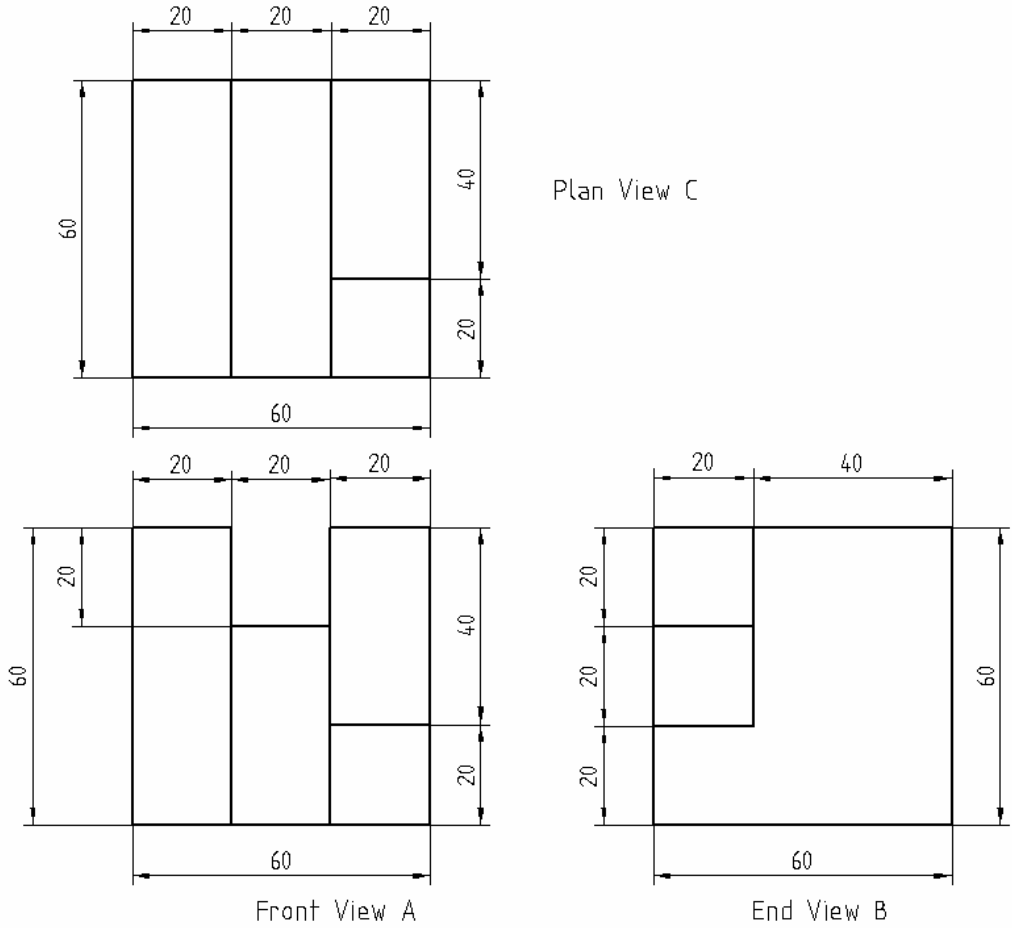
PAPER: 5195/A

ICT (Computer Aided Design)



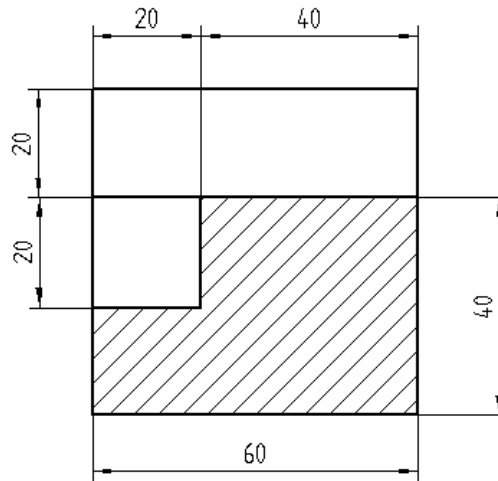
UNIVERSITY of CAMBRIDGE
International Examinations

Page 1	Mark Scheme	Syllabus
	CAMBRIDGE INTERNATIONAL DIPLOMA – 2005	5195/A



Title : Widget
Scale : 1:1
Dimensions all millimeters
Date : 06 / 10 / 2003
Drawn by : A.Jones

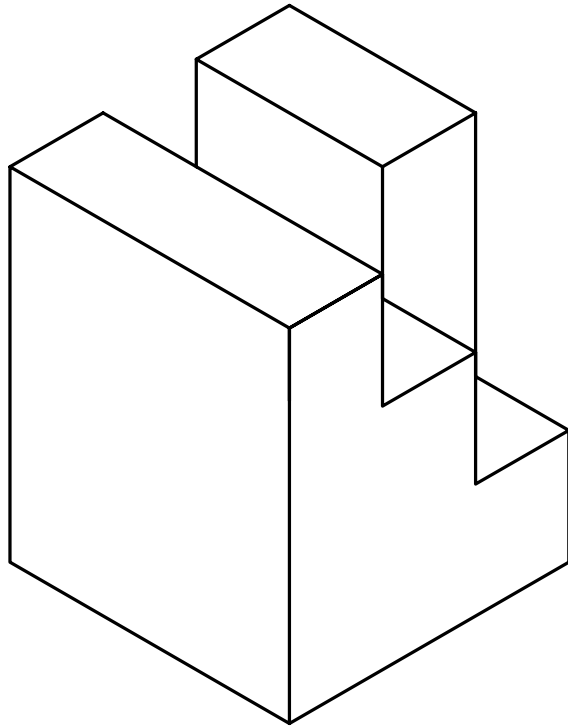
Page 2	Mark Scheme	Syllabus
	CAMBRIDGE INTERNATIONAL DIPLOMA – 2005	5195/A



Sectional View D-D

Title : Widget
Scale 1:1
Dimensions all millimeters
Date 29/09/2003
Drawn by . A.Jones

Page 3	Mark Scheme	Syllabus
	CAMBRIDGE INTERNATIONAL DIPLOMA – 2005	5195/A



Isometric View

Title : Widget
Scale 1:1
Dimensions all millimeters
Date : 03/11/2003
Drawn by : A.Jones

2005

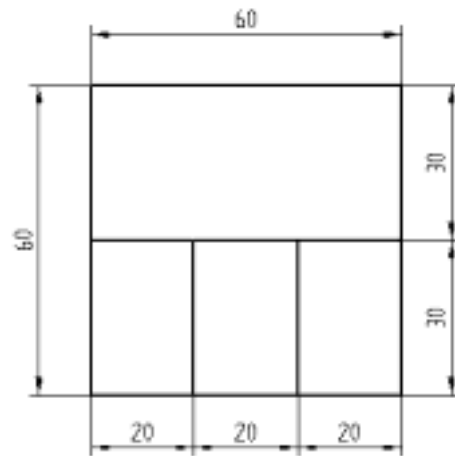
CAMBRIDGE INTERNATIONAL DIPLOMA
Standard Level

MARK SCHEME

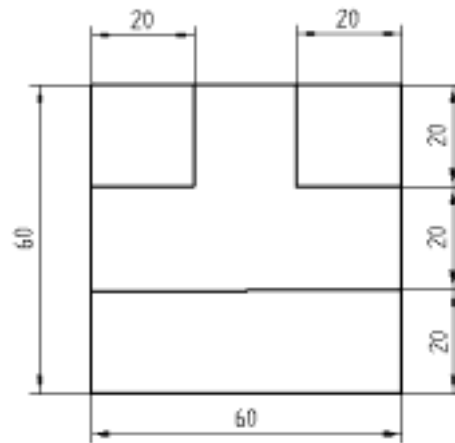
MAXIMUM MARK: 100

PAPER: 5195/B
ICT (Computer Aided Design)

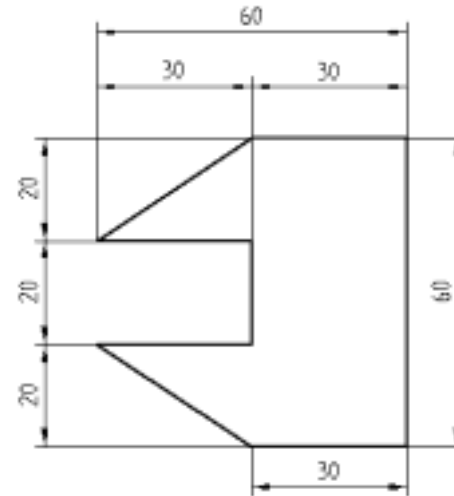
Page 1	Mark Scheme	Syllabus
	CAMBRIDGE INTERNATIONAL DIPLOMA – 2005	5195/B



Plan View C



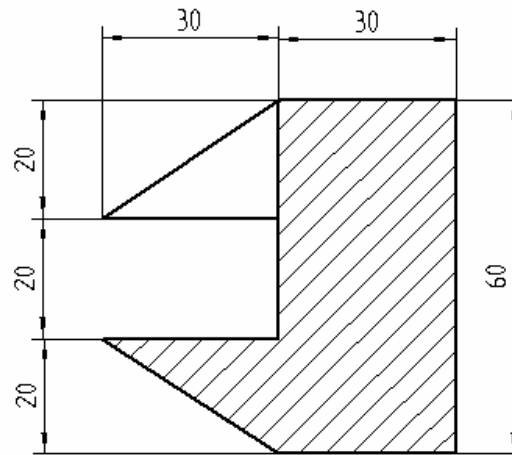
Front View A



End View B

Title : Widget
Scale 1:1
All dimensions in millimeters
Date : 03 / 10 / 2003
Drawn by : A.Jones

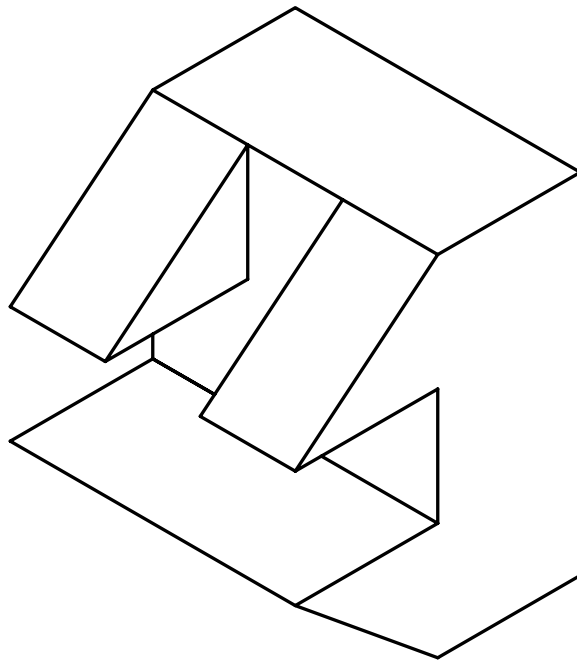
Page 2	Mark Scheme	Syllabus
	CAMBRIDGE INTERNATIONAL DIPLOMA – 2005	5195/B



Sectional View D-D

Title : Widget
Scale 1:1
All dimensions in millimeters
Date : 03 / 10 / 2003
Drawn by : A.Jones

Page 3	Mark Scheme	Syllabus
	CAMBRIDGE INTERNATIONAL DIPLOMA – 2005	5195/B



Isometric View

Title : Widget
Scale 1:1
All dimensions in millimeters
Date : 03 / 11 / 2003
Drawn by : Jones