

--	--	--	--	--

Centre Number

--	--	--	--	--	--	--	--	--	--

Student Number

2008
HIGHER SCHOOL CERTIFICATE
EXAMINATION

Industrial Technology

Graphics Industries

General Instructions

- Reading time – 5 minutes
- Working time – $1\frac{1}{2}$ hours
- Write using black or blue pen
- Draw diagrams using pencil
- Board-approved calculators may be used
- Write your Centre Number and Student Number at the top of this page and pages 5, 9, 13 and 21

Total marks – 100

Section I Pages 2–12

60 marks

- Attempt Questions 1–3
- Allow about 55 minutes for this section

Section II Pages 13–24

40 marks

- Attempt Questions 4–5
- Allow about 35 minutes for this section

Section I

60 marks

Attempt Questions 1–3

Allow about 55 minutes for this section

Answer the questions in the spaces provided.

Marks

Use the following information to answer Questions 1 and 2.

IND-TECH is a company in the graphics industry seeking to increase its market share by establishing an overseas facility.

Question 1 (20 marks)

- (a) Identify TWO sources of finance that IND-TECH might use to fund the establishment of the overseas facility. **2**

.....
.....
.....
.....

- (b) How can IND-TECH locate and evaluate emerging technology? **3**

.....
.....
.....
.....
.....
.....
.....
.....
.....

Question 1 continues on page 3

Question 1 (continued)

- (c) Explain issues that may have influenced IND-TECH's decision to establish the overseas facility. **4**

.....

.....

.....

.....

.....

.....

.....

.....

.....

.....

.....

.....

.....

.....

.....

- (d) How could the introduction of the new facility affect the marketability of IND-TECH's products? **4**

.....

.....

.....

.....

.....

.....

.....

.....

.....

.....

.....

.....

.....

.....

.....

Question 1 continues on page 4

Question 1 (continued)

- (e) IND-TECH has identified quality control as a potential area of concern when overseas operations commence. 7

Evaluate strategies that can be implemented to establish and monitor the required standard of quality.

.....

.....

.....

.....

.....

.....

.....

.....

.....

.....

.....

.....

.....

.....

.....

.....

.....

.....

.....

.....

.....

.....

.....

.....

.....

End of Question 1

Industrial Technology
Graphics Industries

--	--	--	--	--

Centre Number

--	--	--	--	--	--	--	--	--

Student Number

Section I (continued)

Marks

Question 2 (20 marks)

- (a) Outline TWO issues that may be included in an *Environmental Impact Statement* (EIS). **2**

.....

.....

.....

.....

- (b) Why is it important to have an effective occupational health and safety (OHS) policy in place when the new facility is established? **3**

.....

.....

.....

.....

.....

.....

.....

.....

Question 2 continues on page 6

Question 2 (continued)

- (c) How could IND-TECH ensure that equal employment opportunity (EEO) principles are followed in the recruitment of new staff? 4

.....

.....

.....

.....

.....

.....

.....

.....

.....

.....

.....

- (d) Evaluate a range of computing applications that could be used to maintain communication between the local facility and the overseas facility. 4

.....

.....

.....

.....

.....

.....

.....

.....

.....

.....

.....

Question 2 continues on page 7

Question 2 (continued)

- (e) IND-TECH proposes to relocate some employees to the overseas facility to assist in setting it up and training staff. **7**

Analyse this proposal from the perspective of both IND-TECH and the employees who would be relocating.

.....
.....
.....
.....
.....
.....
.....
.....
.....
.....
.....
.....
.....
.....
.....
.....
.....
.....
.....
.....
.....
.....
.....

End of Question 2

BLANK PAGE

Industrial Technology
Graphics Industries

--	--	--	--	--

Centre Number

--	--	--	--	--	--	--	--	--

Student Number

Section I (continued)

Marks

Question 3 (20 marks)

- (a) Name TWO software applications that can be used to graph production costs. **2**

.....

.....

.....

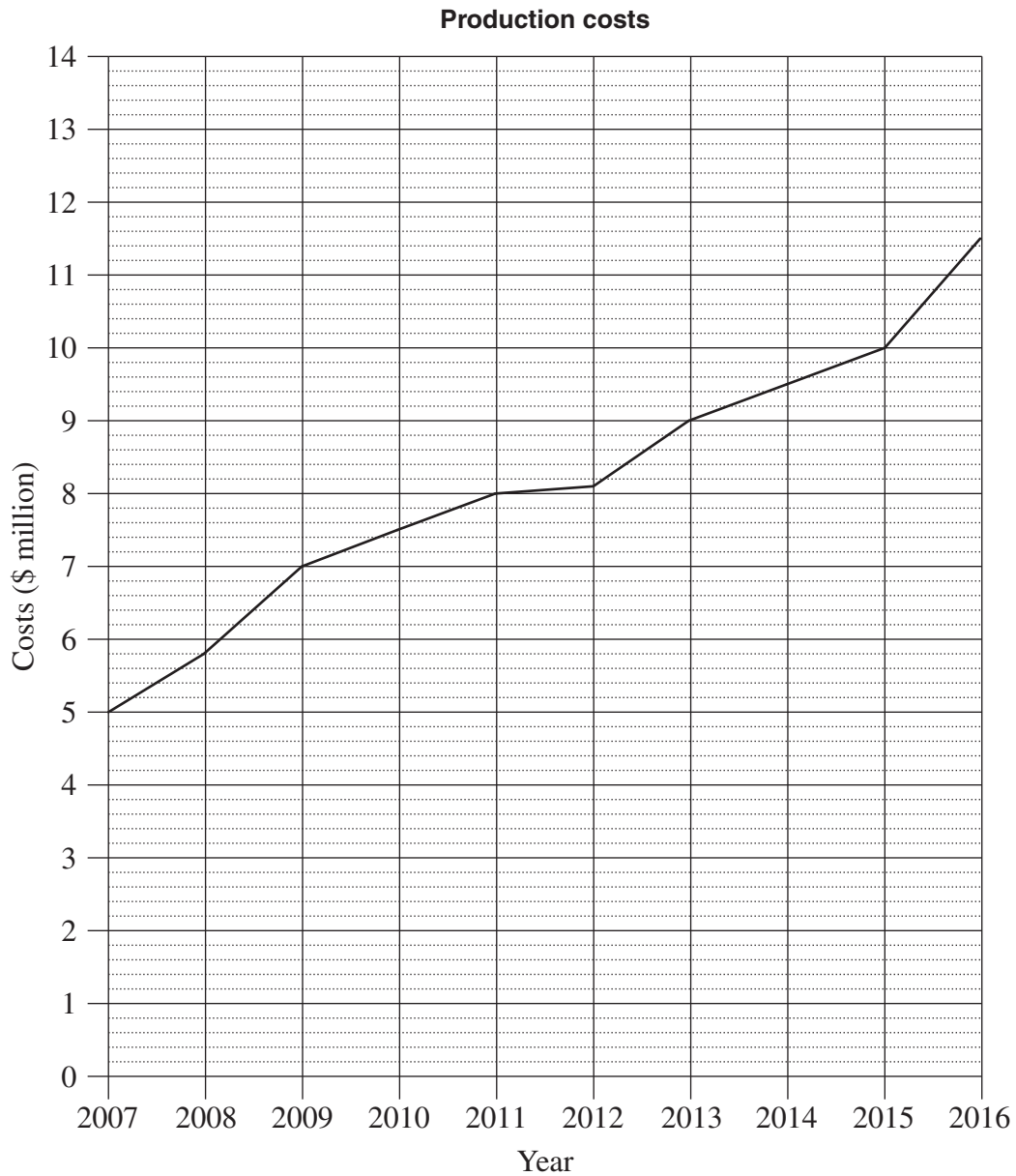
.....

Question 3 continues on page 10

Question 3 (continued)

Use the following information to answer part (b).

The graph shows IND-TECH's past and predicted annual local production costs.



IND-TECH's predicted annual overseas production costs are shown in the table.

<i>Year</i>	2009	2010	2011	2012	2013	2014	2015	2016
<i>Production costs (\$ million)</i>	10.0	8.5	8.0	6.0	6.5	7.0	7.5	7.8

Question 3 continues on page 11

Question 3 (continued)

(b) (i) Graph the predicted annual overseas production costs on the grid on the previous page. **2**

(ii) When should overseas production costs match local production costs? **1**

.....
.....

(iii) Describe the trends in the graphs for local and overseas production costs. **4**

.....
.....
.....
.....
.....
.....
.....
.....
.....
.....

(iv) Outline factors IND-TECH would need to consider when estimating predicted production costs. **4**

.....
.....
.....
.....
.....
.....
.....
.....
.....
.....
.....

Question 3 continues on page 12

Question 3 (continued)

- (c) IND-TECH intends to produce an operations manual for the overseas facility using a combination of text, graphics, photographs and charts. **7**

Explain how the different forms of presenting the information would support the purpose of the operations manual.

.....

.....

.....

.....

.....

.....

.....

.....

.....

.....

.....

.....

.....

.....

.....

.....

.....

.....

.....

.....

.....

.....

End of Question 3

Industrial Technology
Graphics Industries

--	--	--	--	--

Centre Number

--	--	--	--	--	--	--	--	--

Student Number

Section II

40 marks

Attempt Questions 4–5

Allow about 35 minutes for this section

Answer the questions in the spaces provided.

Marks

Question 4 (20 marks)

- (a) What are TWO benefits of using models as a presentation technique in the graphics industry? 2

.....
.....
.....
.....

- (b) Discuss the use of two-dimensional freehand sketches in communicating design ideas. 3

.....
.....
.....
.....
.....
.....

Question 4 continues on page 14

Question 4 (continued)

- (c) Outline the issues that confront graphic designers who work many hours in front of a computer monitor. 4

.....

.....

.....

.....

.....

.....

.....

.....

.....

.....

.....

.....

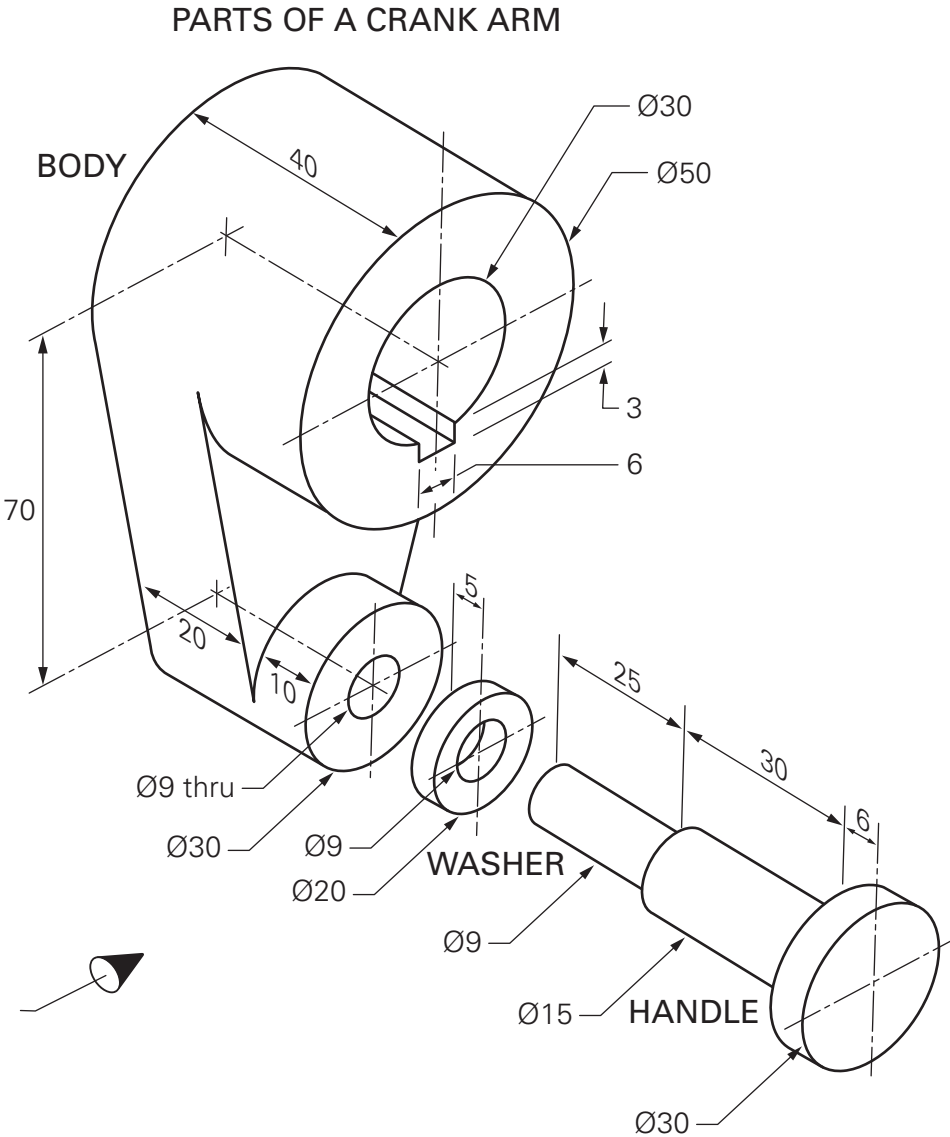
Question 4 continues on page 16

BLANK PAGE

Please turn over

Question 4 (continued)

Use this diagram to answer part (d).



Advanced Technical Graphics by Bradley et al, John Wiley and Sons Australia;
© 1989, Reprinted with permission of John Wiley and Sons Australia

Question 4 continues on page 17

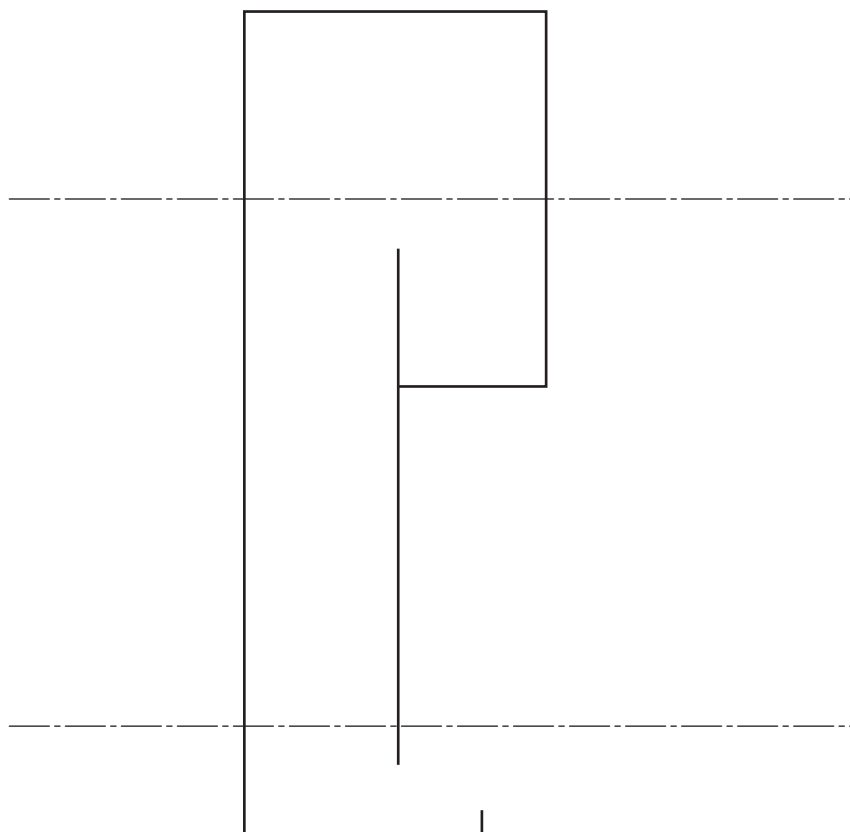
Question 4 (continued)

(d) An incomplete front view assembly of the crank arm is shown below.

4

Complete the view to show all details of the assembled crank arm.

NOTE: Do not show dimensions.



Question 4 continues on page 18

BLANK PAGE

BLANK PAGE

**Industrial Technology
Graphics Industries**

--	--	--	--	--

Centre Number

--	--	--	--	--	--	--	--	--

Student Number

Section II (continued)

Marks

Question 5 (20 marks)

- (a) Give TWO reasons why designers use three-dimensional drawings. **2**

.....

.....

.....

.....

- (b) What are the advantages of rendering as a presentation technique in the graphics industry? **3**

.....

.....

.....

.....

.....

.....

.....

.....

.....

Question 5 continues on page 22

Question 5 (continued)

(c) A drawing of a dust pan is shown.

4



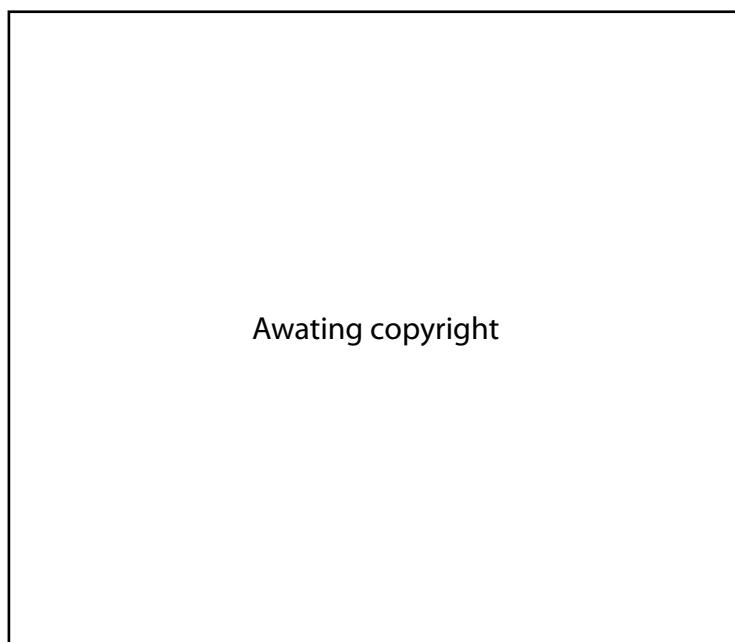
Sketch the development of the body of the dust pan (without the handle).

Question 5 continues on page 23

Question 5 (continued)

(d) A bearing is shown.

4



Sketch a full sectional front view of the bearing in the space below.



Question 5 continues on page 24

Question 5 (continued)

- (e) Describe and evaluate a range of engineering and product drawings that can be used in the design and manufacture of products. 7

.....

.....

.....

.....

.....

.....

.....

.....

.....

.....

.....

.....

.....

.....

.....

.....

.....

.....

.....

.....

.....

.....

.....

End of paper