

Retired Online Test Version 8 Unit 1: The Online World

BTEC Firsts Level 1/2 Information and Creative Technology

This retired onscreen test has been made available to centres to help you prepare your learners for their BTEC Firsts Level 1/2 external assessments.

We recommend that you use this test as a written assessment which is then either teacher marked or peer assessed.

This retired test should be used in conjunction with the Mark Scheme and the Lead Examiner's Report to clearly identify the assessment requirements. These documents are available at:

<http://qualifications.pearson.com/en/qualifications/btec-firsts/information-and-creative-technology-2012-nqf.coursematerials.html#filterQuery=Pearson-UK:Category%2FExternal-assessments>

Retired Test Development



We are currently working towards a simulation test where mock onscreen tests can be taken in a real environment. However as this is being developed, we have temporarily created these PowerPoint based tests to support you.

How can I view the videos in the test?

This document has been produced using screen captures of the retired onscreen test. As such, videos are not available in this PowerPoint document. This document should be used in conjunction with the retired onscreen test which is available on the website: <http://qualifications.pearson.com/en/qualifications/btec-firsts/information-and-creative-technology-2012-nqf.coursematerials.html#filterQuery=Pearson-UK:Category%2FExternal-assessments>

How can I see the drop down menus in the test?

Where a drop down menu may obscure information the learner requires to answer a question, we have instead supplied a text box containing the options from the drop down menu. To view drop down menus please use the retired onscreen test.

Question 1/18

HTTP is used to send data between computers on the internet.

Identify the meaning of the term **HTTP**. (1)

Click on **one** of the boxes.

- HyperText Transmission Procedure
- HyperTransmission Text Protocol
- HyperText Transfer Protocol
- HyperTransmission Transfer Procedure

Question 2/18

Identify **two** types of real-time communication over the internet using speech and live video. (2)

Click on the **two** correct types.

Online forum

Email

VoIP

Web conferencing

Blog

Question 3/18



A school has a Virtual Learning Environment (VLE).

(a) Give **one** piece of information a student would need to enter to log in to the VLE. (1)

Type your answer in the box.

(b) Give **one** benefit to a teacher of using a VLE. (1)

Type your answer in the box.

Question 4/18

(a) Identify **one** piece of software that can be used to protect stored data. (1)

Click on **one** of the boxes.

Email

IMAP

CODEC

Anti-virus

(b) Identify **one** way data can be protected during transmission. (1)

Click on **one** of the boxes.

Backup

Encryption

Phishing

Compression

Question 5/18

Label the diagram with the email protocols for **incoming** and **outgoing** mail. (2)

Drag and drop the correct labels onto the diagram.

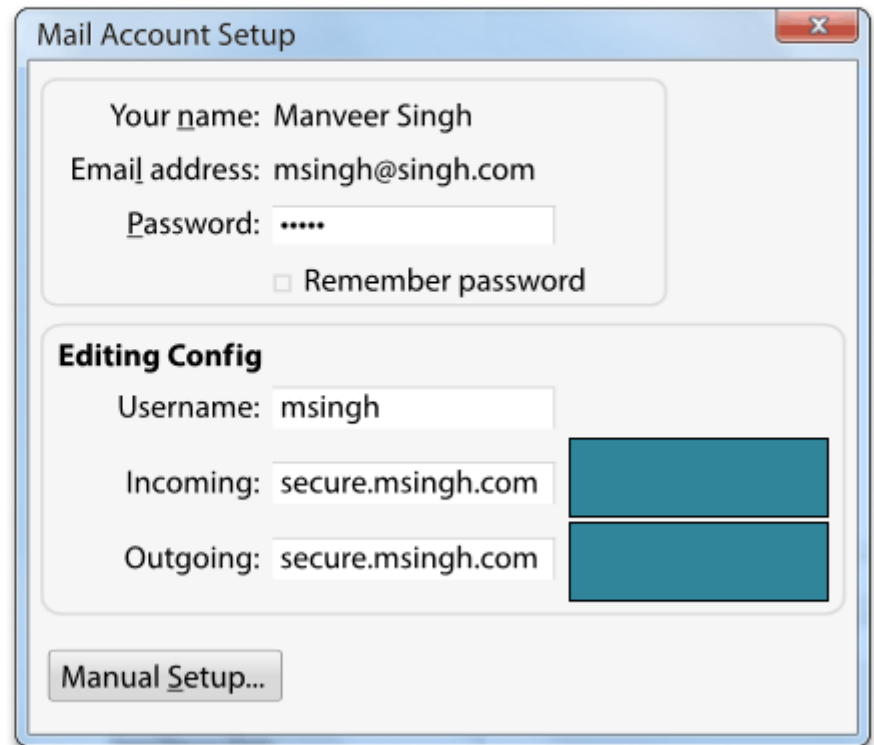
HTML

SMTP

HTTP

FTP

POP3



Mail Account Setup

Your name: Manveer Singh
Email address: msingh@singh.com
Password:
 Remember password

Editing Config

Username: msingh

Incoming: secure.msingh.com []

Outgoing: secure.msingh.com []

Manual Setup...

Question 6/18

An internet service provider (ISP) gives customers access to the internet.

Identify **two** other main services offered by an internet service provider. (2)

Click on the **two** correct services.

Email

Web space

Social networking

Collaborative working

LAN

Question 7/18



Digital devices can transfer data using different transmission methods.

(a) Give **two** wireless transmission methods. (2)

Type your answers in the boxes.

(b) Give **two** drawbacks of wireless transmission. (2)

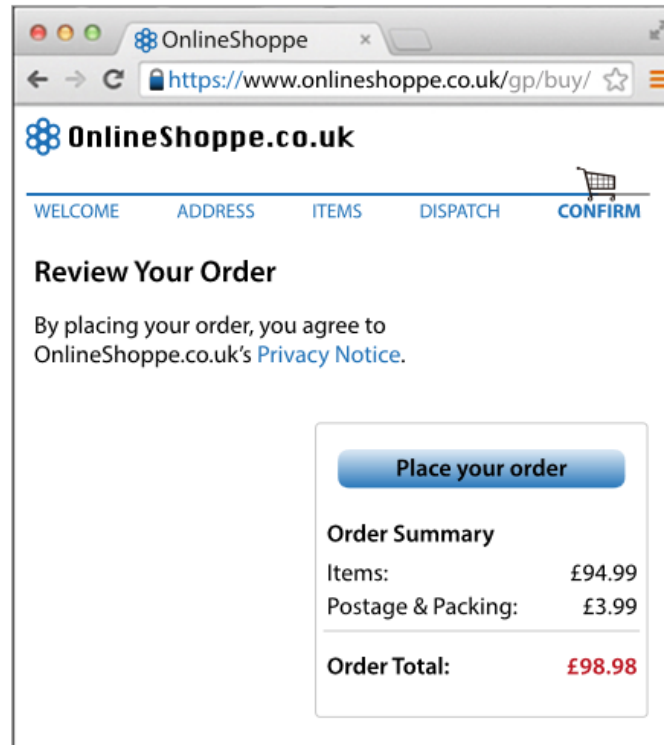
Type your answers in the boxes.

Question 8/18

The diagram shows a shopping website.

Identify **one** part of the website that shows it is secure. (1)

Click on the part of the diagram that shows the website is secure.



Question 9/18

HyperText Markup Language (HTML) is used to create web pages.
The image shows an example of HTML code.

``

A

`Edexcel`

B

(a) State what part **A** of the code does. (1)

Type your answer in the box.

(b) State what part **B** of the code does. (1)

Type your answer in the box.

Question 10/18

Identify **two** examples of social media. (2)

Click on the **two** correct examples.

Email

IMAP

Wiki

Bluetooth

Blog

Question 11/18

Identify **two** components of a wireless network. (2)

Click on the **two** correct components.

DBMS

Router

CODEC

Access point

Fibre optic

Question 12/18



Transmission Control Protocol (TCP) and Internet Protocol (IP) play an important role in how computers communicate over the internet.

(a) Describe the role Transmission Control Protocol (TCP) plays in communicating data. (2)

Type your answer in the box.

(b) Describe the role Internet Protocol (IP) plays in communicating data. (2)

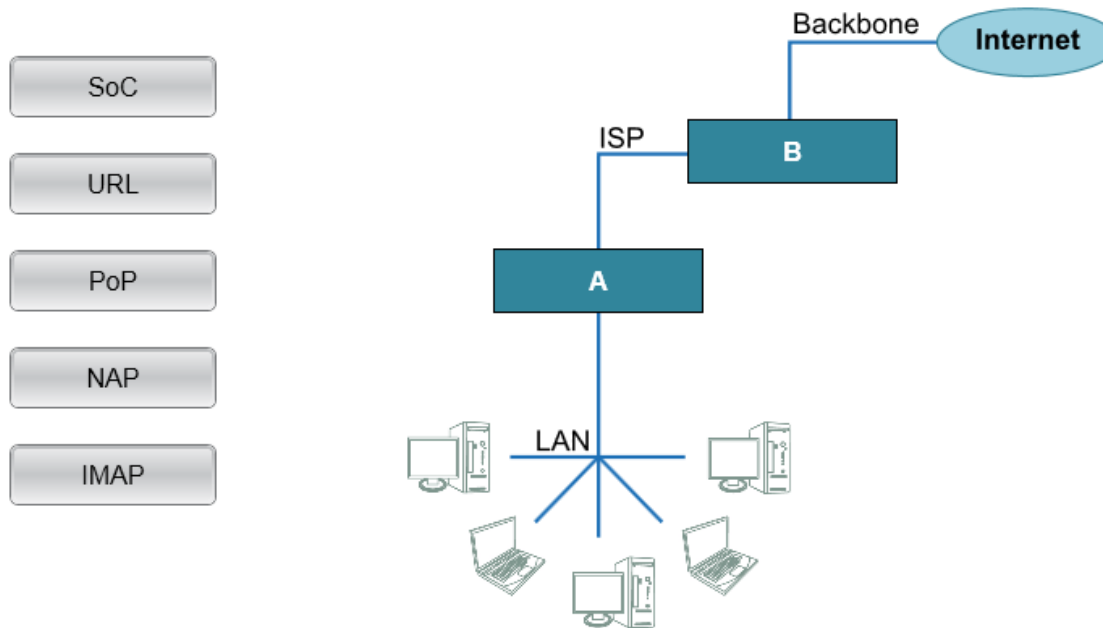
Type your answer in the box.

Question 13/18

A company has a Local Area Network (LAN).
The LAN is connected to the internet.

Label the **two** missing components of this internet infrastructure diagram. (2)

Drag and drop the correct labels onto the diagram.



Question 14/18



Ruth wants to share an online document with Jasper and Zain.
Ruth will give them read/write file permission.

Explain **two** reasons why Ruth would give read/write file permission to Jasper and Zain when sharing the online document. (4)

Type your answer in the box.

Question 15/18



Packet switching is a method of transferring data over a wide area network.

Explain **two** benefits of using packet switching to transfer data over a wide area network. (4)

Type your answer in the box.

Question 16/18



One advantage of using online software to work collaboratively on documents is that the creator can set different file permissions for individual users.

Explain **two** other advantages of using online software to work collaboratively on documents. (4)

Type your answer in the box.

Question 17/18



A data packet is used to send data over a network.

Explain how the data in the packet helps it to reach its destination. (2)

Type your answer in the box.

Question 18/18



An outdoor activity centre offers residential holidays for school children. It stores personal data about each of the children on a database system. This data can include personal contact details, health and dietary needs, next of kin, and payment information. Current legislation controls how this data can be used and must be protected by the activity centre.

Discuss ways in which current legislation controls how personal data can be used and must be protected by the activity centre. (8)

Type your answer in the box.