

Pearson BTEC Level 1/Level 2 First Certificate

Engineering

Unit 9: Interpreting and Using Engineering Information

Wednesday 4 June 2014 – Afternoon

Insert

Paper Reference

21174E

Do not return this insert with the question paper.

Turn over ►

P45241A

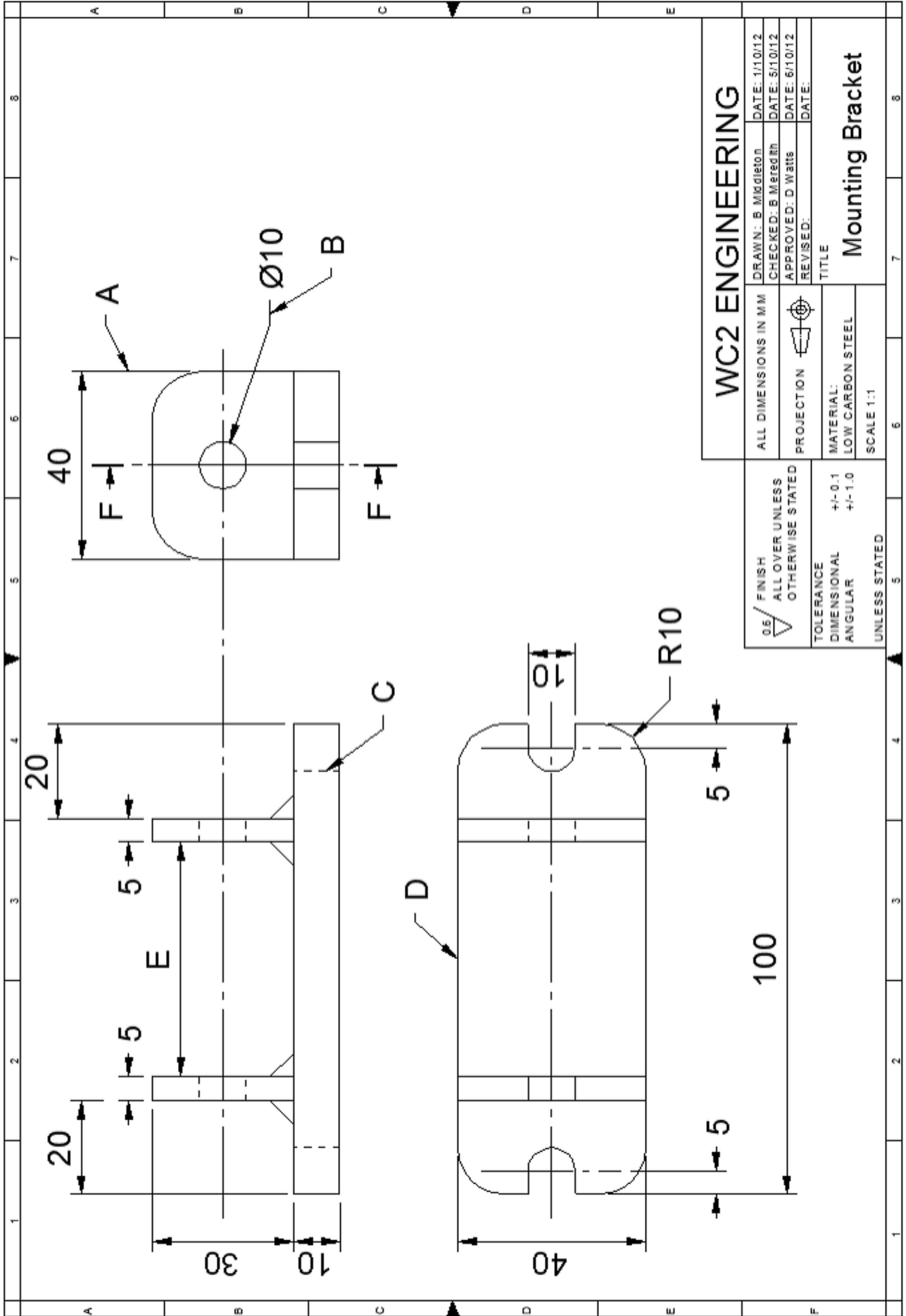
©2014 Pearson Education Ltd.

2/2/2/2



PEARSON

Study the drawing of the mounting bracket and answer Question 3.



WC2 ENGINEERING

0.6 FINISH ALL OVER UNLESS OTHERWISE STATED TOLERANCE DIMENSIONAL +/- 0.1 ANGULAR +/- 1.0 UNLESS STATED	ALL DIMENSIONS IN MM PROJECTION	DRAWN: B. Maddison CHECKED: B. Meredith APPROVED: D. Watts REVISED:	DATE: 1/10/12 DATE: 5/10/12 DATE: 6/10/12 DATE:
	MATERIAL: LOW CARBON STEEL SCALE 1:1	TITLE Mounting Bracket	
	UNLESS STATED		