



---

# Level 3 Certificate/Extended Certificate

## APPLIED SCIENCE

### ASC1/B

Unit 1 Key Concepts in Science  
Section A – Biology

---

Mark scheme

January 2022

---

Version: 1.0 Final



2 2 1 A A S C 1 / B / M S

Mark schemes are prepared by the Lead Assessment Writer and considered, together with the relevant questions, by a panel of subject teachers. This mark scheme includes any amendments made at the standardisation events which all associates participate in and is the scheme which was used by them in this examination. The standardisation process ensures that the mark scheme covers the students' responses to questions and that every associate understands and applies it in the same correct way. As preparation for standardisation each associate analyses a number of students' scripts. Alternative answers not already covered by the mark scheme are discussed and legislated for. If, after the standardisation process, associates encounter unusual answers which have not been raised they are required to refer these to the Lead Examiner.

It must be stressed that a mark scheme is a working document, in many cases further developed and expanded on the basis of students' reactions to a particular paper. Assumptions about future mark schemes on the basis of one year's document should be avoided; whilst the guiding principles of assessment remain constant, details will change, depending on the content of a particular examination paper.

Further copies of this mark scheme are available from [aqa.org.uk](http://aqa.org.uk)

#### **Copyright information**

AQA retains the copyright on all its publications. However, registered schools/colleges for AQA are permitted to copy material from this booklet for their own internal use, with the following important exception: AQA cannot give permission to schools/colleges to photocopy any material that is acknowledged to a third party even for internal use within the centre.

Copyright © 2022 AQA and its licensors. All rights reserved.

## Level of response marking instructions

Level of response mark schemes are broken down into levels, each of which has a descriptor. The descriptor for the level shows the average performance for the level. There are marks in each level.

Before you apply the mark scheme to a student's answer read through the answer and annotate it (as instructed) to show the qualities that are being looked for. You can then apply the mark scheme.

### Step 1 Determine a level

Start at the lowest level of the mark scheme and use it as a ladder to see whether the answer meets the descriptor for that level. The descriptor for the level indicates the different qualities that might be seen in the student's answer for that level. If it meets the lowest level then go to the next one and decide if it meets this level, and so on, until you have a match between the level descriptor and the answer. With practice and familiarity you will find that for better answers you will be able to quickly skip through the lower levels of the mark scheme.

When assigning a level you should look at the overall quality of the answer and not look to pick holes in small and specific parts of the answer where the student has not performed quite as well as the rest. If the answer covers different aspects of different levels of the mark scheme you should use a best fit approach for defining the level and then use the variability of the response to help decide the mark within the level, ie if the response is predominantly level 2 with a small amount of level 3 material it would be placed in level 2 but be awarded a mark near the top of the level because of the level 3 content.

### Step 2 Determine a mark

Once you have assigned a level you need to decide on the mark. The descriptors on how to allocate marks can help with this. The exemplar materials used during standardisation will help. There will be an answer in the standardising materials which will correspond with each level of the mark scheme. This answer will have been awarded a mark by the Lead Examiner. You can compare the student's answer with the example to determine if it is the same standard, better or worse than the example. You can then use this to allocate a mark for the answer based on the Lead Examiner's mark on the example.

You may well need to read back through the answer as you apply the mark scheme to clarify points and assure yourself that the level and the mark are appropriate.

Indicative content in the mark scheme is provided as a guide for examiners. It is not intended to be exhaustive and you must credit other valid points. Students do not have to cover all of the points mentioned in the Indicative content to reach the highest level of the mark scheme.

An answer which contains nothing of relevance to the question must be awarded no marks.

**Question 1**

Question	Answers	Extra information	Mark	AO/ Spec. Ref.
01.1	<p><b>Hormone</b></p> <div style="display: flex; flex-direction: column; align-items: flex-start;"> <div style="border: 1px solid black; padding: 2px; margin-bottom: 10px;">Aldosterone</div> <div style="border: 1px solid black; padding: 2px; margin-bottom: 10px;">Glucagon</div> <div style="border: 1px solid black; padding: 2px;">Insulin</div> </div>	<p><b>Function</b></p> <div style="display: flex; flex-direction: column; align-items: flex-start;"> <div style="border: 1px solid black; padding: 2px; margin-bottom: 10px;">Causes body temperature to increase</div> <div style="border: 1px solid black; padding: 2px; margin-bottom: 10px;">Causes increased production of urine</div> <div style="border: 1px solid black; padding: 2px; margin-bottom: 10px;">Causes conversion of glucose to glycogen</div> <div style="border: 1px solid black; padding: 2px; margin-bottom: 10px;">Causes conversion of glycogen to glucose</div> <div style="border: 1px solid black; padding: 2px;">Causes reabsorption of sodium ions in the kidney</div> </div> <p>additional line from any box negates the mark for that box</p>	3	AO1 1dii, 1div

Question	Answers	Extra information	Mark	AO/ Spec. Ref.
01.2	increases blood glucose (concentration)		1	AO1 1div

Question	Answers	Extra information	Mark	AO/ Spec. Ref.
01.3	1 hour or 60 minutes		1	AO2 1di

Question	Answers	Extra information	Mark	AO/ Spec. Ref.
01.4	once / 1		1	AO2 1di

Question	Answers	Extra information	Mark	AO/ Spec. Ref.
01.5	to check the person can maintain a glucose level in the normal range (when no food is provided)	allow to establish a baseline measurement / reading	1	AO1 1dvii

Question	Answers	Extra information	Mark	AO/ Spec. Ref.
01.6	(place) dipstick in urine (sample)	allow clinistix in urine (sample)	1	AO1 1dvii
	compare colour (of dipstick) to standard colour chart	ignore compare colour unqualified	1	

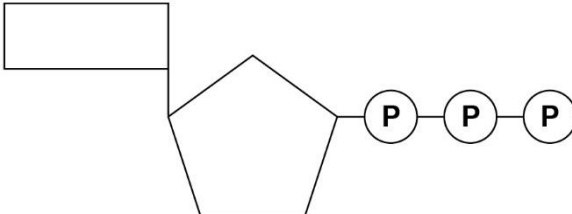
Question	Answers	Extra information	Mark	AO/ Spec. Ref.
01.7	any <b>two</b> from: <ul style="list-style-type: none"> <li>• reduce body mass</li> <li>• (increase) physical activity</li> <li>• reduce refined carbohydrates in diet</li> </ul> <b>or</b> increase high fibre carbohydrates in diet <b>or</b> reduce sugar in diet	allow reduce fat in diet allow lose weight allow (more) exercise ignore healthy / balanced diet unqualified	2	AO3 1dv

<b>Total Question 1</b>		<b>11</b>
-------------------------	--	-----------

**Question 2**

Question	Answers	Extra information	Mark	AO/ Spec. Ref.
02.1	cytoplasm		1	AO1
	mitochondria		1	1ev AO1 1aiii

Question	Answers	Extra information	Mark	AO/ Spec. Ref.
02.2	active transport		1	AO1 1bii, 1eiv

Question	Answers	Extra information	Mark	AO/ Spec. Ref.
02.3			1	AO1 1eiii

Question	Answers	Extra information	Mark	AO/ Spec. Ref.
02.4	glucose phosphate <b>or</b> GP	allow Glucose-1-P or Glucose 6-P	1	AO1
	pyruvate	allow pyruvic acid	1	1evi

Question	Answers	Extra information	Mark	AO/ Spec. Ref.
<b>02.5</b>	(NADH and FADH <sub>2</sub> ) donate / release hydrogen atoms		1	AO1 1eviii
	(which) provide electrons		1	
	(electrons) pass down the chain and release energy to phosphorylate / make ATP		1	
<b>Total Question 2</b>			<b>9</b>	