

Corporate and Business Law (SCT) (F4) June 2008

This syllabus and study guide is designed to help with planning study and to provide detailed information on what could be assessed in any examination session.

THE STRUCTURE OF THE SYLLABUS AND STUDY GUIDE

Relational diagram of paper with other papers

This diagram shows direct and indirect links between this paper and other papers preceding or following it. Some papers are directly underpinned by other papers such as Advanced Performance Management by Performance Management. These links are shown as solid line arrows. Other papers only have indirect relationships with each other such as links existing between the accounting and auditing papers. The links between these are shown as dotted line arrows. This diagram indicates where you are expected to have underpinning knowledge and where it would be useful to review previous learning before undertaking study.

Overall aim of the syllabus

This explains briefly the overall objective of the paper and indicates in the broadest sense the capabilities to be developed within the paper.

Main capabilities

This paper's aim is broken down into several main capabilities which divide the syllabus and study guide into discrete sections.

Relational diagram of the main capabilities

This diagram illustrates the flows and links between the main capabilities (sections) of the syllabus and should be used as an aid to planning teaching and learning in a structured way.

Syllabus rationale

This is a narrative explaining how the syllabus is structured and how the main capabilities are linked.

The rationale also explains in further detail what the examination intends to assess and why.

Detailed syllabus

This shows the breakdown of the main capabilities (sections) of the syllabus into subject areas. This is the blueprint for the detailed study guide.

Approach to examining the syllabus

This section briefly explains the structure of the examination and how it is assessed.

Study Guide

This is the main document that students, tuition providers and publishers should use as the basis of their studies, instruction and materials. Examinations will be based on the detail of the study guide which comprehensively identifies what could be assessed in any examination session. The study guide is a precise reflection and breakdown of the syllabus. It is divided into sections based on the main capabilities identified in the syllabus. These sections are divided into subject areas which relate to the sub-capabilities included in the detailed syllabus. Subject areas are broken down into sub-headings which describe the detailed outcomes that could be assessed in examinations. These outcomes are described using verbs indicating what exams may require students to demonstrate, and the broad intellectual level at which these may need to be demonstrated (*see intellectual levels below).

Reading lists

ACCA has two official publishers: BPP Learning Media and Kaplan Publishing. Both these publishers base their study texts on the detailed contents of the study guides as published by ACCA. ACCA takes no editorial responsibility for the detailed content of these study texts although ACCA examiners will annually review their content for general appropriateness and relevance in supporting effective study towards ACCA examinations. In addition ACCA examiners will recommend other text books where appropriate, which students may read in order to widen their reading beyond the approved study texts. Relevant articles will also be published in *student accountant*.

INTELLECTUAL LEVELS

The syllabus is designed to progressively broaden and deepen the knowledge, skills and professional values demonstrated by the student on their way through the qualification.

The specific capabilities within the detailed syllabuses and study guides are assessed at one of three intellectual or cognitive levels:

Level 1: Knowledge and comprehension

Level 2: Application and analysis

Level 3: Synthesis and evaluation

Very broadly, these intellectual levels relate to the three cognitive levels at which the Knowledge module, the Skills module and the Professional level are assessed.

Each subject area in the detailed study guide included in this document is given a 1, 2, or 3 superscript, denoting intellectual level, marked at the end of each relevant line. This gives an indication of the intellectual depth at which an area could be assessed within the examination. However, while level 1 broadly equates with the Knowledge module, level 2 equates to the Skills module and level 3 to the Professional level, some lower level skills can continue to be assessed as the student progresses through each module and level. This reflects that at each stage of study there will be a requirement to broaden, as well as deepen capabilities. It is also possible that occasionally some higher level capabilities may be assessed at lower levels.

LEARNING HOURS

The ACCA qualification does not prescribe or recommend any particular number of learning hours for examinations because study and learning patterns and styles vary greatly between people and organisations. This also recognises the wide diversity of personal, professional and educational circumstances in which ACCA students find themselves.

Each syllabus contains between 23 and 35 main subject area headings depending on the nature of the subject and how these areas have been broken down.

GUIDE TO EXAM STRUCTURE

The structure of examinations varies within and between modules and levels.

The Fundamentals level examinations contain 100% compulsory questions to encourage candidates to study across the breadth of each syllabus.

The Knowledge module is assessed by equivalent two-hour paper based and computer based examinations.

The Skills module examinations are all paper based three-hour papers. The structure of papers varies from ten questions in the *Corporate and Business Law* (F4) paper to four 25 mark questions in *Performance Management* (F5) and *Financial Management* (F9). Individual questions within all Skills module papers will attract between 10 and 30 marks.

The Professional level papers are all three-hour paper based examinations, all containing two sections. Section A is compulsory, but there will be some choice offered in Section B.

For all three hour examination papers, ACCA has introduced 15 minutes reading and planning time.

This additional time is allowed at the beginning of each three-hour examination to allow candidates to read the questions and to begin planning their answers before they start writing in their answer books. This time should be used to ensure that all the information and exam requirements are properly read and understood.

During reading and planning time candidates may only annotate their question paper. They may not write anything in their answer booklets until told to do so by the invigilator.

The Essentials module papers all have a Section A containing a major case study question with all requirements totalling 50 marks relating to this case. Section B gives students a choice of two from three 25 mark questions.

Section A of each of the Options papers contains 50-70 compulsory marks from two questions, each attracting between 25 and 40 marks. Section B will offer a choice of two from three questions totalling 30-50 marks, with each question attracting between 15 and 25 marks.

The pass mark for all ACCA Qualification examination papers is 50%.

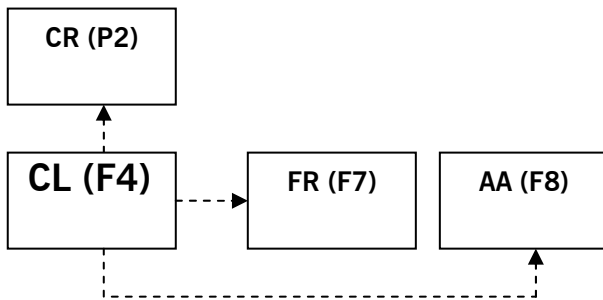
GUIDE TO EXAMINATION ASSESSMENT

ACCA reserves the right to examine anything contained within the study guide at any examination session. This includes knowledge, techniques, principles, theories, and concepts as specified.

For the financial accounting, audit and assurance, law and tax papers, ACCA will publish *examinable documents* every six months to indicate exactly what regulations and legislation could potentially be assessed at the following examination session. Knowledge of new examinable regulations will not be assessed until at least six calendar months after the last day of the month in which documents are issued or legislation is passed. The relevant cut-off date for the June examinations is 30 November of the previous year, and for the December examinations, it is 31 May of the same year.

The study guide offers more detailed guidance on the depth and level at which the examinable documents will be examined. The study guide should therefore be read in conjunction with the examinable documents list.

Syllabus



AIM

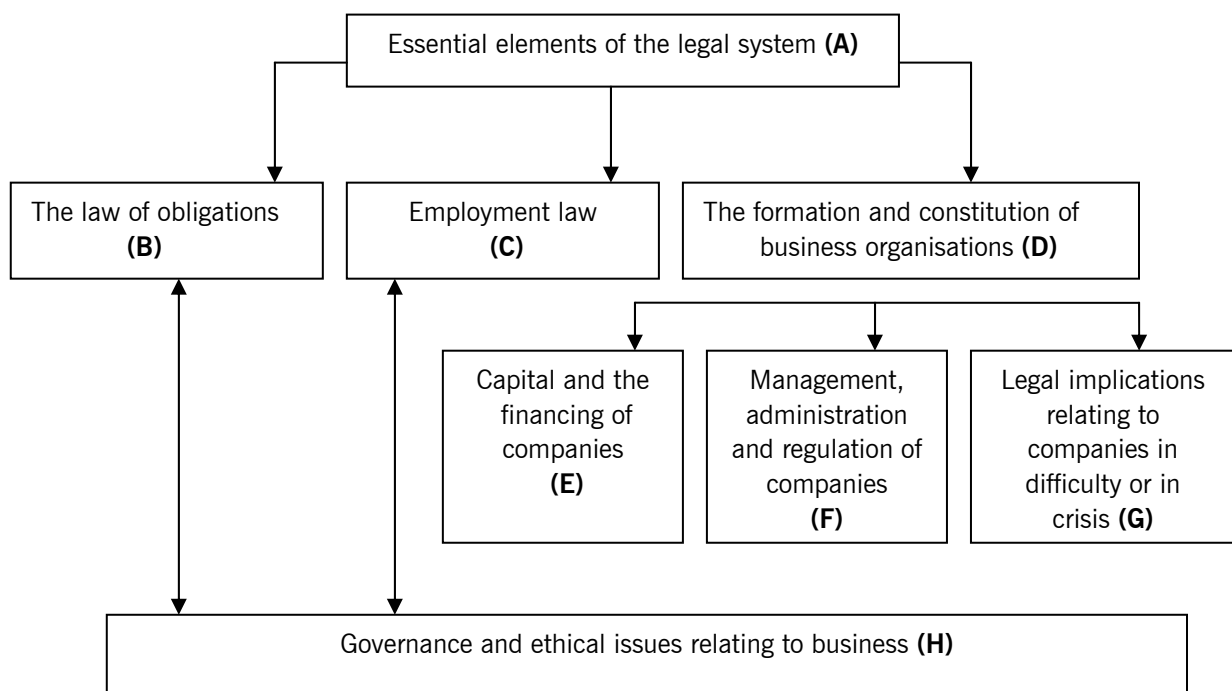
To develop knowledge and skills in the understanding of the general legal framework, and of specific legal areas relating to business, recognising the need to seek further specialist legal advice where necessary.

MAIN CAPABILITIES

On successful completion of this paper candidates should be able to:

- A** Identify the essential elements of the legal system including the main sources of law
- B** Recognise and apply the appropriate legal rules relating to the law of obligations
- C** Explain and apply the law relating to employment relationships
- D** Distinguish between alternative forms and constitutions of business organisations
- E** Recognise and compare types of capital and the financing of companies
- F** Describe and explain how companies are managed, administered and regulated
- G** Recognise the legal implications relating to companies in difficulty or in crisis
- H** Demonstrate an understanding of governance and ethical issues relating to business

RELATIONAL DIAGRAM OF MAIN CAPABILITIES



RATIONALE

Corporate and Business Law is divided into eight areas. The syllabus starts with an introduction to the overall Scottish legal system such as the court system and sources of law – including – human rights legislation. It then leads into the area of the law of obligations including contract and tort, which underpin business transactions generally.

The syllabus then covers a range of specific legal areas relating to various aspects of business of most concern to finance professionals. These are the law relating to employment and the law relating to companies. These laws include the formation and constitution of companies, the financing of companies and types of capital, and the day to day management, the administration and regulation of companies and legal aspects of companies facing difficulty or in crisis.

The final section links back to all the previous areas. This section deals with corporate governance, ethics and ethical behaviour relating to business including criminal law.

DETAILED SYLLABUS

A Essential elements of the legal system

1. Court structure
2. Sources of law
3. Human rights

B The law of obligations

1. Formation of contract
2. Content of contracts
3. Breach of contract and remedies
4. The law of delict
5. Professional negligence

C Employment law

1. Contract of employment
2. Dismissal and redundancy

D The formation and constitution of business organisations

1. Agency law
2. Partnerships
3. Corporations and legal personality
4. Company formations

E Capital and the financing of companies

1. Share capital
2. Loan capital
3. Capital maintenance and dividend law

F Management, administration and regulation of companies

1. Company directors
2. Other company officers
3. Company meetings and resolutions

G Legal implications relating to companies in difficulty or in crisis

1. Insolvency

H Governance and ethical issues relating to business

1. Corporate governance
2. Fraudulent behaviour

APPROACH TO EXAMINING THE SYLLABUS

The syllabus is assessed by a three hour paper-based examination.

The examination consists of seven 10 mark questions assessing knowledge of the law, and three 10 mark application questions.

Study Guide

A ESSENTIAL ELEMENTS OF THE LEGAL SYSTEM

1. Court structure

- a) Define law and distinguish types of law.^[1]
- b) Explain the structure and operation of the courts and tribunals systems.^[1]

2 Sources of law

- a) Explain what is meant by case law and precedent within the context of the hierarchy of the courts.^[2]
- b) Explain legislation and evaluate delegated legislation.^[2]
- c) Illustrate the rules and presumptions used by the courts in interpreting statutes.^[1]

3 Human rights

- a) Identify the concept of human rights as expressed in the Human Rights Act 1998.^[2]
- b) Explain the impact of human rights law on statutory interpretation.^[2]
- c) Explain the impact of human rights law on the common law.^[2]

B THE LAW OF OBLIGATIONS

1. Formation of contract

- a) Analyse the nature of a simple contract.^[2]
- b) Explain the meaning of offer and distinguish it from invitations to treat.^[2]
- c) Explain the meaning and consequence of acceptance.^[2]
- d) Explain gratuitous promises and the extent to which they are enforceable.^[2]
- e) Explain the meaning and effect of third party rights.^[2]

- f) Distinguish the presumptions relating to intention to create legal relations.^[2]

2. Content of contracts

- a) Distinguish terms from mere representations.^[2]
- b) Define the various contractual terms.^[1]
- c) Explain the effect of exclusion clauses and evaluate their control.^[2]

3. Breach of contract and remedies

- a) Explain the meaning and effect of breach of contract.^[2]
- b) Explain the rules relating to the award of damages.^[2]
- c) Analyse the equitable remedies for breach of contract.^[2]

4 The law of delict

- a) Explain the meaning of delict.^[2]
- b) Identify examples of delicts including 'passing off' and negligence.^[2]
- c) Explain the duty of care and its breach.^[2]
- d) Explain the meaning of causality and remoteness of damage.^[2]
- e) Discuss defences to actions in negligence.^[2]

5 Professional negligence

- a) Explain and analyse the duty of care of accountants and auditors.^[2]

C EMPLOYMENT LAW

1 Contract of employment

- a) Distinguish between employees and the self-employed.^[2]
- b) Explain the nature of the contract of employment and give examples of the main duties placed on the parties to such a contract.^[2]

2 Dismissal and redundancy

- a) Distinguish between wrongful and unfair dismissal including constructive dismissal.^[2]
- b) Explain what is meant by redundancy.^[2]
- c) Discuss the remedies available to those who have been subject to unfair dismissal or redundancy.^[2]

D THE FORMATION AND CONSTITUTION OF BUSINESS ORGANISATIONS

1 Agency law

- a) Define the role of the agent and give examples of such relationships paying particular regard to partners and company directors.^[2]
- b) Explain how the agency relationship is established.^[2]
- c) Define the authority of the agent.^[2]
- d) Explain the potential liability of both principal and agent.^[2]

2 Partnerships

- a) Demonstrate a knowledge of the legislation governing the partnership, both unlimited and limited.^[1]
- b) Discuss how partnerships are established.^[2]
- c) Explain the authority of partners in relation to partnership activity.^[2]
- d) Analyse the liability of various partners for partnership debts.^[2]
- e) Explain the way in which partnerships can be brought to an end.^[2]

3 Corporations and legal personality

- a) Distinguish between sole traders, partnerships and companies.^[2]
- b) Explain the meaning and effect of limited liability.^[2]

- c) Analyse different types of companies, especially private and public companies.^[2]
- d) Illustrate the effect of separate personality.^[2]
- e) Recognise instances where separate personality will be ignored.^[2]

4 Company formations

- a) Explain the role and duties of company promoters.^[2]
- b) Describe the procedure for registering companies, both public and private.^[2]
- c) Describe the statutory books, records and returns that companies must keep or make.^[1]
- d) Describe the contents of model articles of association.^[1]
- e) Analyse the effect of a company's constitutional documents.^[2]
- f) Explain how articles of association can be changed.^[2]

E CAPITAL AND THE FINANCING OF COMPANIES

1 Share capital

- a) Examine the different meanings of capital.^[2]
- b) Illustrate the difference between various classes of shares.^[2]
- c) Explain the procedure for altering class rights.^[2]

2 Loan capital

- a) Define companies' borrowing powers.^[1]
- b) Explain the meaning of debenture.^[2]
- c) Distinguish loan capital from share capital.^[2]
- d) Explain the concept of a company charge and distinguish between fixed and floating charges.^[2]

- e) Describe the need and the procedure for registering company charges.^[2]

3. Capital maintenance and dividend law

- a) Explain the doctrine of capital maintenance and capital reduction.^[2]
- b) Examine the effect of issuing shares at either discount, or at a premium.^[2]
- c) Explain the rules governing the distribution of dividends in both private and public companies.^[2]

F MANAGEMENT, ADMINISTRATION AND REGULATION OF COMPANIES

1 Company directors

- a) Explain the role of directors in the operation of a company.^[2]
- b) Discuss the ways in which directors are appointed, can lose their office or be subject to a disqualification order.^[2]
- c) Distinguish between the powers of the board of directors, the managing director and individual directors to bind their company.^[2]
- d) Explain the duties that directors owe to their companies.^[2]
- e) Demonstrate an understanding of the way in which statute law has attempted to control directors.^[2]

2. Other company officers

- a) Discuss the appointment procedure relating to, and the duties and powers of, a company secretary.^[2]
- b) Discuss the appointment procedure relating to, and the duties and powers of, company auditors.^[2]

3 Company meetings and resolutions

- a) Distinguish between types of meetings: ordinary general meetings and annual general meetings.^[1]
- b) Explain the procedure for calling such meetings.^[2]
- c) Detail the procedure for conducting company meetings.^[1]
- d) Distinguish between types of resolutions: ordinary, special and written.^[2]

G LEGAL IMPLICATIONS RELATING TO COMPANIES IN DIFFICULTY OR IN CRISIS

1. Insolvency

- a) Explain the meaning of and procedure involved in voluntary liquidation.^[2]
- b) Explain the meaning of and procedure involved in compulsory liquidation.^[2]
- c) Explain administration as an alternative to winding up.^[2]

H GOVERNANCE AND ETHICAL ISSUES RELATING TO BUSINESS

1. Corporate governance

- a) Explain the idea of corporate governance.^[2]
- b) Recognise the extra-legal codes of corporate governance.^[2]
- c) Identify and explain the legal regulation of corporate governance.^[2]

2. Fraudulent behaviour

- a) Recognise the nature and legal control over insider dealing.^[2]
- b) Recognise the nature and legal control over money laundering.^[2]
- c) Discuss potential criminal activity in the operation, management and winding up of companies.^[2]

- d) Distinguish between fraudulent and wrongful trading.^[2]

READING LIST

ACCA's official publishers:

BPP Learning Media

Contact number: +44(0)20 8740 2222

Website: www.bpp.com/acca

Kaplan Publishing

Contact number: +44(0)118 989 0629

Website: www.kaplanpublishing.co.uk

Additional reading:

Introductory Scots Law, S Crossan & A B Wylie,
Hodder Gibson. 2004

Charlesworth's Company Law, Geoffrey Morse,
Sweet & Maxwell, 2005

Business Law, 5th ed, D Kelly A Holmes & R
Hayward, Routledge Cavendish, 2005

Smith & Keenan's Law for Business, Denis Keenan,
13th ed, Pearson Education, 2006

SUMMARY OF CHANGES TO PREVIOUS STUDY GUIDE

December 2007

D4. d) Deleted

F1. e) Amended

F3. a) Amended

F3. d) Amended