

Question No. 1(c)(iii)

ADVANCED LEVEL TECHNOLOGY AND DESIGN
ASSESSMENT UNIT A2 1
January 2011

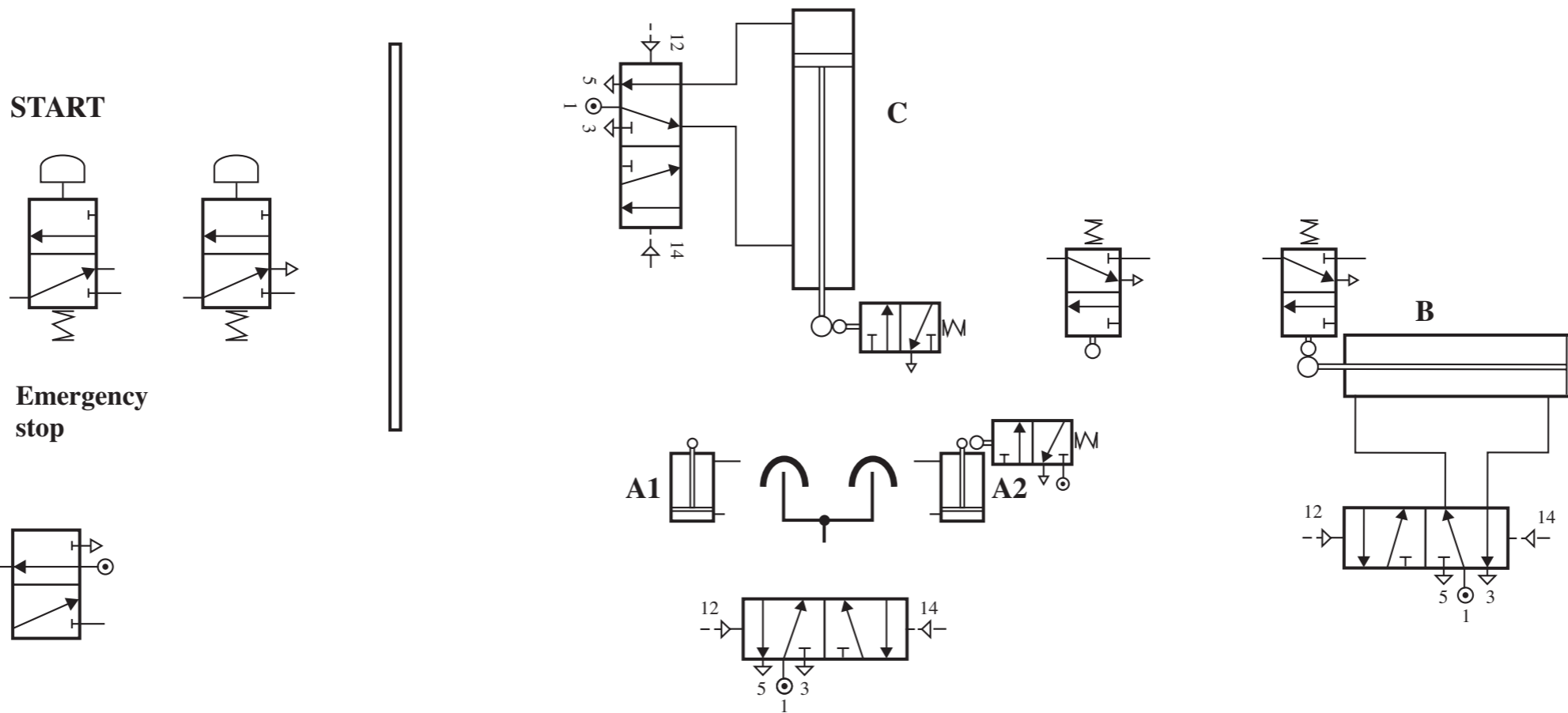
Centre Number

71	
----	--

Candidate Number

--

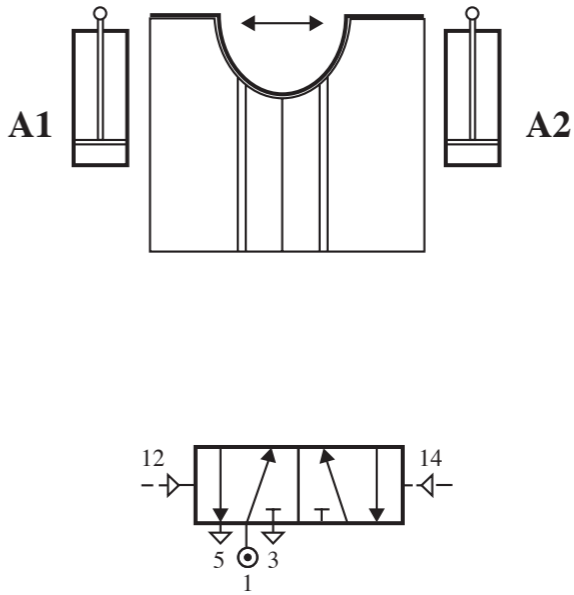
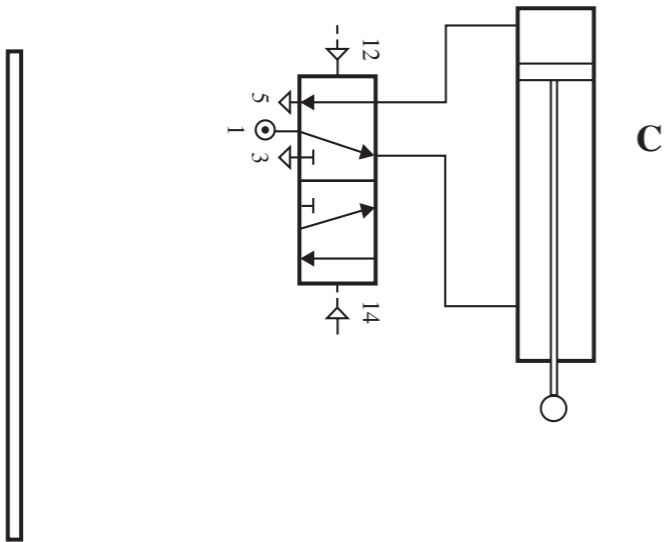
Pro forma answer page
(answer number 1(c)(iii))



Pro forma answer page
(answer number 4(c))

71	
----	--

--



Pro forma answer page
(answer number 4(d))

