

OXFORD CAMBRIDGE AND RSA EXAMINATIONS
Advanced Subsidiary GCE

PHYSICS A

2823/03/PLAN

Practical Examination 1 (Part A – Planning Exercise)

For issue on or after: Thursday **17 NOVEMBER 2005**

| | | | | | | | | | | | | | | |
|----------------|--|------------------|--|--|--|--|--|--|--|--|--|--|--|--|
| Candidate Name | Centre Number | Candidate Number | | | | | | | | | | | | |
| | <table border="1" style="display: inline-table; border-collapse: collapse;"> <tr> <td style="width: 15px; height: 15px;"></td> <td style="width: 15px; height: 15px;"></td> <td style="width: 15px; height: 15px;"></td> <td style="width: 15px; height: 15px;"></td> <td style="width: 15px; height: 15px;"></td> <td style="width: 15px; height: 15px;"></td> </tr> </table> | | | | | | | <table border="1" style="display: inline-table; border-collapse: collapse;"> <tr> <td style="width: 15px; height: 15px;"></td> <td style="width: 15px; height: 15px;"></td> <td style="width: 15px; height: 15px;"></td> <td style="width: 15px; height: 15px;"></td> <td style="width: 15px; height: 15px;"></td> <td style="width: 15px; height: 15px;"></td> </tr> </table> | | | | | | |
| | | | | | | | | | | | | | | |
| | | | | | | | | | | | | | | |

TIME This Plan must be handed in by the deadline given by your teacher.

INSTRUCTIONS TO CANDIDATES

- Write your name in the space above.
- Write your Centre number and Candidate number in the boxes above.
- Attach this page to the front of your Plan.

INFORMATION FOR CANDIDATES

- In this Planning Exercise, you will be assessed on the Experimental and Investigative Skill P: Planning.
- You will be awarded marks for the quality of written communication.
- Detailed notes for guidance are given overleaf.

| FOR EXAMINER'S USE | | |
|---------------------------|-------------|-------------|
| | Max. | Mark |
| Planning | 16 | |

Authentication by teacher

I declare that, to the best of my knowledge, the work submitted is that of the candidate concerned. I have provided details on my Report Form for the Practical Test of any assistance given.

Signature Date

This question paper consists of 4 printed pages.

Notes for guidance

- 1 Your Plan should have a clear and helpful structure and should be illustrated by diagrams, tables, charts, graphs etc. as appropriate. Remember that these can often be used to replace words in the text. Diagrams should be relevant to the content of your Plan and positioned appropriately. Labels on diagrams, flow charts or tables should be clear and concise. Large blocks of text should be included in the word count.
- 2 You should take care to use technical and scientific terms correctly and to write in clear and correct English.
- 3 Your Plan should be hand-written or word-processed on A4 paper, which should have a hole punched at the top left hand corner. Pages should be numbered and should have a clear margin on the right hand side. You should write (or print) on one side of the paper only and each sheet should be marked with your Centre number and Candidate number.
- 4 You should show that you have consulted an appropriate range and variety of sources. At the end of your Plan you should list clearly the sources you have used and you should refer to these references in your Plan where appropriate. Where you have incorporated material which has been copied directly from a source such as a book or the Internet, this must be acknowledged in your Plan and details included in the references at the end. However, it should be noted that the inclusion of copied material will not in itself gain credit. The list of references should not be included in the word count.
- 5 Your Plan should be based on the use of standard equipment, apparatus, chemicals and other materials available in a school or college science laboratory.
- 6 Your Plan should be of about **500** words. A Plan that is in excess of 500 words is likely to have poor structure and unselective choice of material, so that full credit may not be available. You should indicate the number of words in the margin of the Plan at approximately 100 word intervals.
- 7 When you have finished, tie the pages **loosely** together (or use a treasury tag), with this sheet on the top, so that the pages turn over freely. Your Centre will give you the date by which your Plan must be handed in.

NOTICE TO CANDIDATE

The work you submit for assessment must be your own.

If you copy from someone else or allow another candidate to copy from you, or if you cheat in any other way, you may be disqualified from at least the subject concerned.

1. Any help or information you have received from people other than your subject teacher(s) must be clearly identified in the work itself.
2. Any books, information leaflets or other material (e.g. videos, software packages or information from the Internet) which you have used to help you complete this work must be clearly acknowledged in the work itself. To present material copied from books or other sources without acknowledgement will be regarded as deliberate deception.

Declaration by candidate

I have read and understood the **Notice to Candidate** (above). I have produced the work without any help from other people apart from that which I have declared in the work itself. I have acknowledged all source materials in the work itself.

Candidate's signature Date:

Planning Exercise

In this Planning Exercise, two marks are available for the quality of written communication.

A basic cable stay bridge has one set of supports and one pair of cables supporting the end of the cantilevered section of the bridge. (See Fig. 1.1). When the bridge is loaded it is important that the elastic limit of the cables is not exceeded.

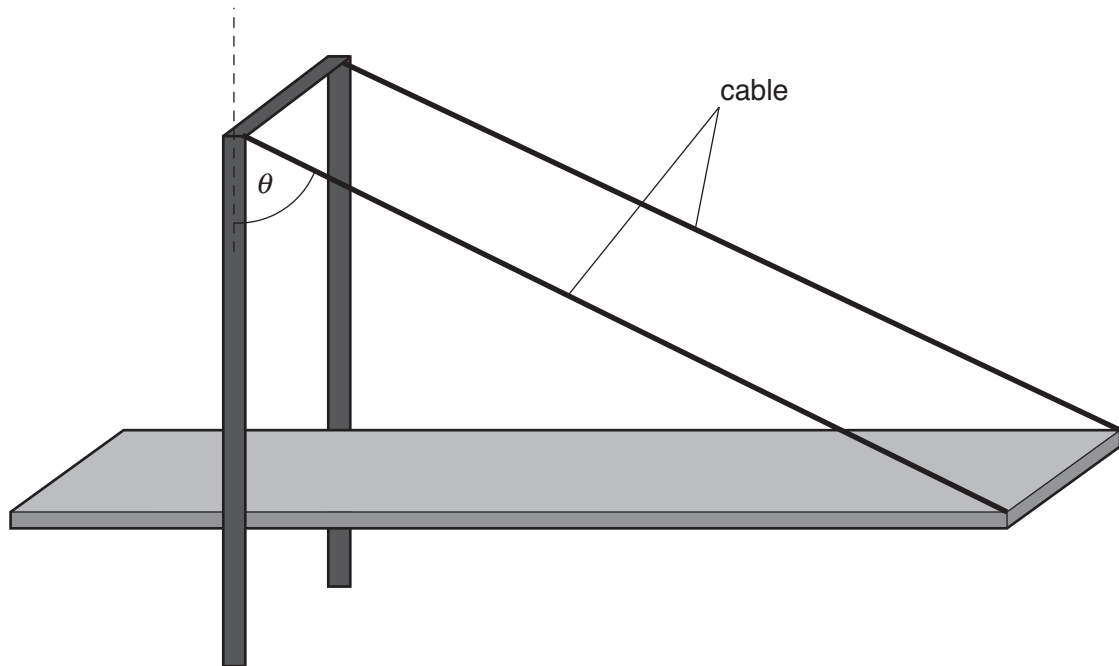


Fig. 1.1

You are required to design a laboratory experiment to investigate how the stress in a steel wire supporting a loaded bridge-like structure is affected by the angle, θ that the wire is to the vertical. See Fig. 1.2.

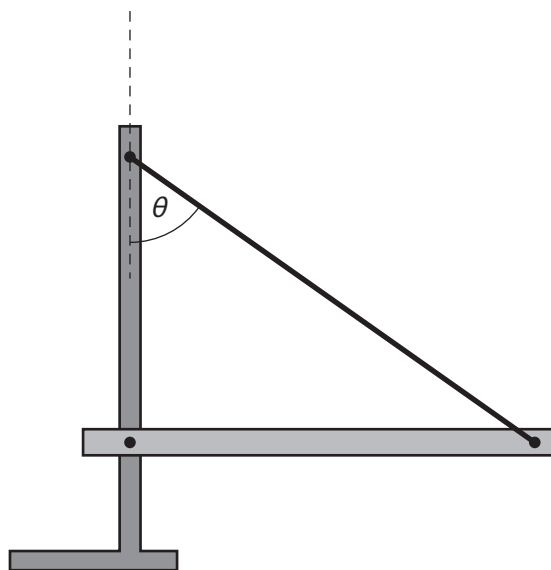


Fig. 1.2

You should draw a diagram of the arrangement of your apparatus, and in your account you should pay particular attention to

- the procedure to be followed
- how the angle is determined
- how the stress is determined
- the range of angles that would be used
- how the load is applied to the bridge-like structure
- any safety precautions you would take when carrying out the investigation
- particular features of the design that would ensure the accuracy and reliability of your results.

[14]

Quality of Written Communication [2]

[Total: 16]