



UNIVERSITY OF CAMBRIDGE INTERNATIONAL EXAMINATIONS  
 General Certificate of Education  
 Advanced Subsidiary Level and Advanced Level

CANDIDATE  
 NAME

CENTRE  
 NUMBER

--	--	--	--	--

CANDIDATE  
 NUMBER

--	--	--	--



**PHYSICS**

**9702/35**

Paper 31 Advanced Practical Skills 1

**May/June 2010**

**2 hours**

Candidates answer on the Question Paper.

Additional Materials: As listed in the Confidential Instructions.

**READ THESE INSTRUCTIONS FIRST**

Write your Centre number, candidate number and name on all the work you hand in.  
 Write in dark blue or black pen.  
 You may use a soft pencil for any diagrams, graphs or rough working.  
 Do not use staples, paper clips, highlighters, glue or correction fluid.  
 DO **NOT** WRITE IN ANY BARCODES.

Answer **both** questions.  
 You will be allowed to work with the apparatus for a maximum of one hour for each question.  
 You are expected to record all your observations as soon as these observations are made, and to plan the presentation of the records so that it is not necessary to make a fair copy of them.  
 You may lose marks if you do not show your working or if you do not use appropriate units.

Additional answer paper and graph paper should be used only if it becomes necessary to do so.  
 You are reminded of the need for good English and clear presentation in your answers.

At the end of the examination, fasten all your work securely together.  
 All questions in this paper carry equal marks.

For Examiner's Use	
1	
2	
<b>Total</b>	

This document consists of **9** printed pages and **3** blank pages.



You may not need to use all of the materials provided.

For  
Examiner's  
Use

- 1 In this experiment, you will investigate the relationship between the power dissipated in a filament lamp and the resistance of the lamp.

(a) Assemble the circuit of Fig. 1.1.

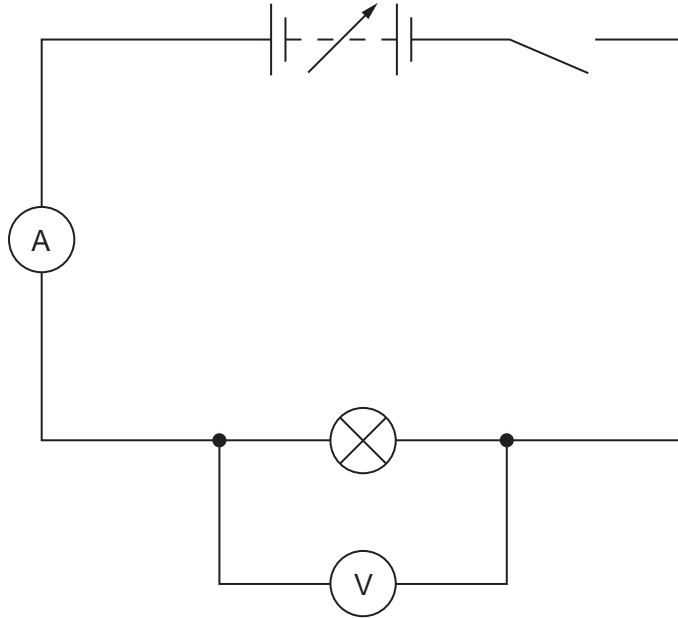


Fig. 1.1

- (b) Set the power supply voltage to 12V and close the switch so that the lamp lights. Record the voltmeter reading  $V$  and the ammeter reading  $I$ .

$V =$  ..... V

$I =$  ..... A

- (c) Reduce the power supply voltage, recording  $V$  and  $I$  until you have six sets of readings.

Open the switch when you have finished your measurements.

Include in your table of results values of  $P$ ,  $R$  and  $R^4$ , where  $P$  is the power dissipated in the lamp and  $R$  is the resistance of the lamp.

$$(P = VI \text{ and } R = \frac{V}{I})$$

For  
Examiner's  
Use





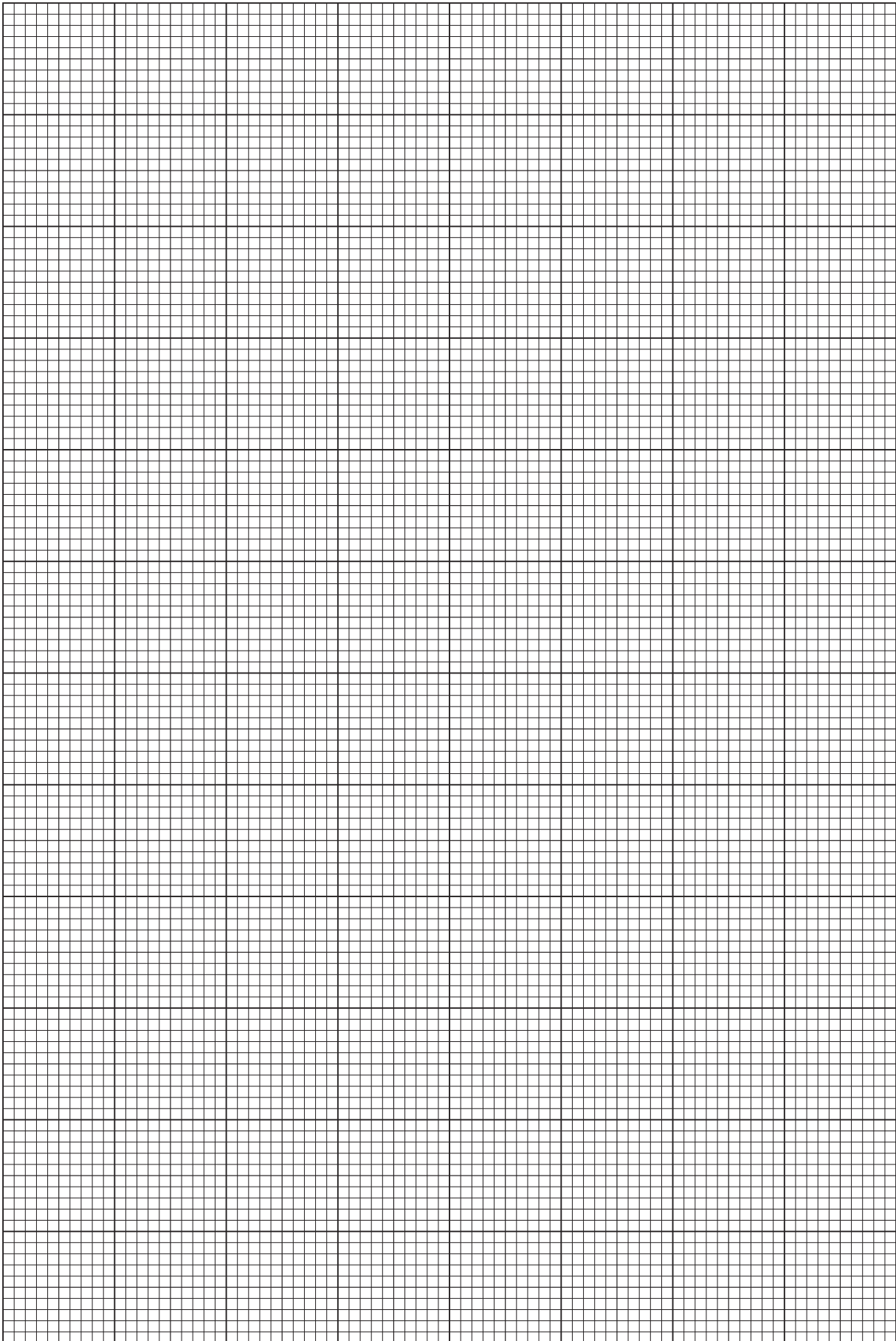



- (d) (i) Plot a graph of  $P$  on the  $y$ -axis against  $R^4$  on the  $x$ -axis.  
 (ii) Draw the straight line of best fit.  
 (iii) Determine the gradient and  $y$ -intercept of this line.

gradient = .....

$y$ -intercept = .....

For  
Examiner's  
Use

- (e) It is suggested that the relationship between  $P$  and  $R$  is

$$P = aR^4 + b$$

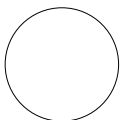
where  $a$  and  $b$  are constants.

Using your answers from (d)(iii), determine the values of  $a$  and  $b$ .  
Give appropriate units.

For  
Examiner's  
Use

$a =$  .....

$b =$  .....

Please turn over for Question 2.

You may not need to use all of the materials provided.

For  
Examiner's  
Use

- 2 In this experiment, you will investigate how the movement of a tube is affected by fluid friction.

The apparatus has been set up for you as shown in Fig. 2.1. The mass hanger will move up and down if it is pulled down and released.

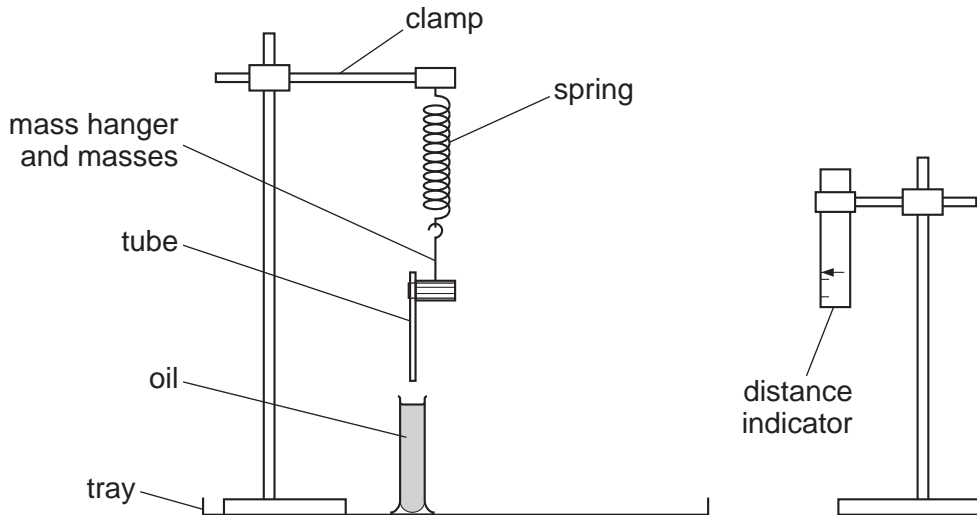


Fig. 2.1

- (a) (i) By adjusting the position of the clamp, lower the spring and mass hanger so that the bottom of the tube is immersed centrally in the oil to a depth  $d$  of about 5 cm, as shown in Fig. 2.2.
- (ii) Measure and record  $d$ .

$d =$  .....

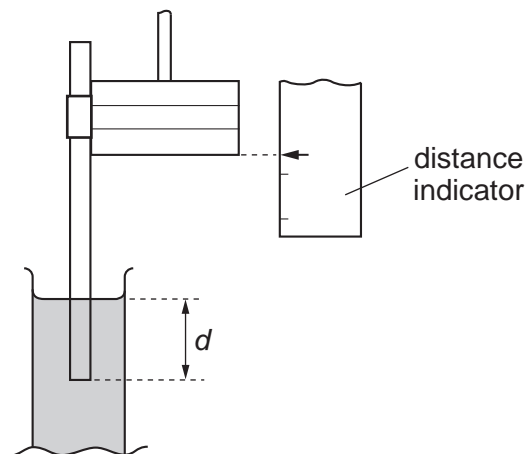


Fig. 2.2



(b) Adjust the distance indicator so that its arrow is level with the bottom of the mass hanger, as shown in Fig. 2.2.

(c) (i) Pull down the mass hanger about 3cm and release it so that it moves up and down.

Each time the mass hanger moves down, you will see that the **lowest** position that it reaches changes gradually from 3cm to 0cm below the arrow.

(ii) Repeat (i) and start the stopwatch when the mass hanger's lowest position is 2.0cm below the arrow. Stop the stopwatch when the lowest position has become 0.5cm below the arrow.

Record this time  $t$ .

$t = \dots\dots\dots$


(d) Estimate the percentage uncertainty in  $t$ .

percentage uncertainty =  $\dots\dots\dots$


(e) (i) By again adjusting the position of the clamp, lower the spring and mass hanger so that  $d$  is about 10cm.

(ii) Repeat (a)(ii), (b) and (c).

$d = \dots\dots\dots$

$t = \dots\dots\dots$


- (f) (i) It is suggested that the relationship between  $t$  and  $d$  is

$$t^4 = \frac{k}{d^3}$$

where  $k$  is a constant.

Using your data, calculate two values of  $k$ .

first value of  $k$  = .....

second value of  $k$  = .....

- (ii) Explain whether your results support the relationship in (i).

.....  
.....  
.....

- (iii) Justify the number of significant figures that you have used for your values of  $k$ .

.....  
.....  
.....  
.....

For  
Examiner's  
Use

(g) (i) Describe four sources of uncertainty or limitations of the procedure in this experiment.

For  
Examiner's  
Use

1. ....

.....

2. ....

.....

3. ....

.....

4. ....

.....



(ii) Describe four improvements that could be made to this experiment. You may suggest the use of other apparatus or different procedures.

1. ....

.....

2. ....

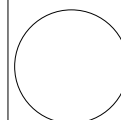
.....

3. ....

.....

4. ....

.....



---

Permission to reproduce items where third-party owned material protected by copyright is included has been sought and cleared where possible. Every reasonable effort has been made by the publisher (UCLES) to trace copyright holders, but if any items requiring clearance have unwittingly been included, the publisher will be pleased to make amends at the earliest possible opportunity.

University of Cambridge International Examinations is part of the Cambridge Assessment Group. Cambridge Assessment is the brand name of University of Cambridge Local Examinations Syndicate (UCLES), which is itself a department of the University of Cambridge.