

Surname		Other Names	
Centre Number		Candidate Number	
Candidate Signature			

Leave blank
-------------

General Certificate of Education  
January 2003  
Advanced Subsidiary Examination



**PHYSICS (SPECIFICATION A) PA02**  
**Unit 2 Mechanics and Molecular Kinetic Theory**

Monday 13 January 2003 Morning Session

**In addition to this paper you will require:**

- a calculator;
- a pencil and a ruler.

For Examiner's Use			
Number	Mark	Number	Mark
1			
2			
3			
4			
5			
6			
7			
Total (Column 1)	→		
Total (Column 2)	→		
TOTAL			
Examiner's Initials			

Time allowed: 1 hour 30 minutes

**Instructions**

- Use blue or black ink or ball-point pen.
- Fill in the boxes at the top of this page.
- Answer **all** questions in the spaces provided. All working must be shown.
- Do all rough work in this book. Cross through any work you do not want marked.

**Information**

- The maximum mark for this paper is 60.
- Mark allocations are shown in brackets.
- The paper carries 30% of the total marks for Physics Advanced Subsidiary and carries 15% of the total marks for Physics Advanced.
- A *Data Sheet* is provided on pages 3 and 4. You may wish to detach this perforated sheet at the start of the examination.
- You are expected to use a calculator where appropriate.
- In questions requiring description and explanation you will be assessed on your ability to use an appropriate form and style of writing, to organise relevant information clearly and coherently, and to use specialist vocabulary where appropriate. The degree of legibility of your handwriting and the level of accuracy of your spelling, punctuation and grammar will also be taken into account.

**Data Sheet**

- A perforated *Data Sheet* is provided as pages 3 and 4 of this question paper.
- This sheet may be useful for answering some of the questions in the examination.
- You may wish to detach this sheet before you begin.

**Fundamental constants and values**

Quantity	Symbol	Value	Units
speed of light in vacuo	$c$	$3.00 \times 10^8$	$\text{m s}^{-1}$
permeability of free space	$\mu_0$	$4\pi \times 10^{-7}$	$\text{H m}^{-1}$
permittivity of free space	$\epsilon_0$	$8.85 \times 10^{-12}$	$\text{F m}^{-1}$
charge of electron	$e$	$1.60 \times 10^{-19}$	C
the Planck constant	$h$	$6.63 \times 10^{-34}$	J s
gravitational constant	$G$	$6.67 \times 10^{-11}$	$\text{N m}^2 \text{kg}^{-2}$
the Avogadro constant	$N_A$	$6.02 \times 10^{23}$	$\text{mol}^{-1}$
molar gas constant	$R$	8.31	$\text{J K}^{-1} \text{mol}^{-1}$
the Boltzmann constant	$k$	$1.38 \times 10^{-23}$	$\text{J K}^{-1}$
the Stefan constant	$\sigma$	$5.67 \times 10^{-8}$	$\text{W m}^{-2} \text{K}^{-4}$
the Wien constant	$\alpha$	$2.90 \times 10^{-3}$	m K
electron rest mass	$m_e$	$9.11 \times 10^{-31}$	kg
(equivalent to $5.5 \times 10^{-4} \text{u}$ )			
electron charge/mass ratio	$e/m_e$	$1.76 \times 10^{11}$	$\text{C kg}^{-1}$
proton rest mass	$m_p$	$1.67 \times 10^{-27}$	kg
(equivalent to 1.00728u)			
proton charge/mass ratio	$e/m_p$	$9.58 \times 10^7$	$\text{C kg}^{-1}$
neutron rest mass	$m_n$	$1.67 \times 10^{-27}$	kg
(equivalent to 1.00867u)			
gravitational field strength	$g$	9.81	$\text{N kg}^{-1}$
acceleration due to gravity	$g$	9.81	$\text{m s}^{-2}$
atomic mass unit	$u$	$1.661 \times 10^{-27}$	kg
(1u is equivalent to 931.3 MeV)			

**Fundamental particles**

Class	Name	Symbol	Rest energy /MeV
photon	photon	$\gamma$	0
lepton	neutrino	$\nu_e$	0
		$\nu_\mu$	0
	electron	$e^\pm$	0.510999
	muon	$\mu^\pm$	105.659
mesons	pion	$\pi^\pm$	139.576
		$\pi^0$	134.972
	kaon	$K^\pm$	493.821
		$K^0$	497.762
baryons	proton	p	938.257
	neutron	n	939.551

**Properties of quarks**

Type	Charge	Baryon number	Strangeness
u	$+\frac{2}{3}$	$+\frac{1}{3}$	0
d	$-\frac{1}{3}$	$+\frac{1}{3}$	0
s	$-\frac{1}{3}$	$+\frac{1}{3}$	-1

**Geometrical equations**

- arc length =  $r\theta$
- circumference of circle =  $2\pi r$
- area of circle =  $\pi r^2$
- area of cylinder =  $2\pi rh$
- volume of cylinder =  $\pi r^2 h$
- area of sphere =  $4\pi r^2$
- volume of sphere =  $\frac{4}{3}\pi r^3$

**Mechanics and Applied Physics**

- $v = u + at$
- $s = \left(\frac{u+v}{2}\right)t$
- $s = ut + \frac{at^2}{2}$
- $v^2 = u^2 + 2as$
- $F = \frac{\Delta(mv)}{\Delta t}$
- $P = Fv$
- efficiency =  $\frac{\text{power output}}{\text{power input}}$
- $\omega = \frac{v}{r} = 2\pi f$
- $a = \frac{v^2}{r} = r\omega^2$
- $I = \sum mr^2$
- $E_k = \frac{1}{2}I\omega^2$
- $\omega_2 = \omega_1 + at$
- $\theta = \omega_1 t + \frac{1}{2}at^2$
- $\omega_2^2 = \omega_1^2 + 2a\theta$
- $\theta = \frac{1}{2}(\omega_1 + \omega_2)t$
- $T = I\alpha$
- angular momentum =  $I\omega$
- $W = T\theta$
- $P = T\omega$
- angular impulse = change of angular momentum =  $Tt$
- $\Delta Q = \Delta U + \Delta W$
- $\Delta W = p\Delta V$
- $pV^\gamma = \text{constant}$
- work done per cycle = area of loop
- input power = calorific value  $\times$  fuel flow rate
- indicated power as (area of  $p-V$  loop)  $\times$  (no. of cycles/s)  $\times$  (no. of cylinders)
- friction power = indicated power - brake power
- efficiency =  $\frac{W}{Q_{in}} = \frac{Q_{in} - Q_{out}}{Q_{in}}$
- maximum possible efficiency =  $\frac{T_H - T_C}{T_H}$

**Fields, Waves, Quantum Phenomena**

- $g = \frac{F}{m}$
- $g = -\frac{GM}{r^2}$
- $g = -\frac{\Delta V}{\Delta x}$
- $V = -\frac{GM}{r}$
- $a = -(2\pi f)^2 x$
- $v = \pm 2\pi f \sqrt{A^2 - x^2}$
- $x = A \cos 2\pi ft$
- $T = 2\pi\sqrt{\frac{m}{k}}$
- $T = 2\pi\sqrt{\frac{l}{g}}$
- $\lambda = \frac{\omega s}{D}$
- $d \sin \theta = n\lambda$
- $\theta \approx \frac{\lambda}{D}$
- $n_2 = \frac{\sin \theta_1}{\sin \theta_2} = \frac{c_1}{c_2}$
- $n_2 = \frac{n_2}{n_1}$
- $\sin \theta_c = \frac{1}{n}$
- $E = hf$
- $hf = \phi + E_k$
- $hf = E_1 - E_2$
- $\lambda = \frac{h}{p} = \frac{h}{mv}$
- $c = \frac{1}{\sqrt{\mu_0 \epsilon_0}}$
- Electricity**
- $\epsilon = \frac{E}{Q}$
- $\epsilon = I(R + r)$
- $\frac{1}{R_T} = \frac{1}{R_1} + \frac{1}{R_2} + \frac{1}{R_3} + \dots$
- $R_T = R_1 + R_2 + R_3 + \dots$
- $P = I^2 R$
- $E = \frac{F}{Q} = \frac{V}{d}$
- $E = \frac{1}{4\pi\epsilon_0} \frac{Q}{r^2}$
- $E = \frac{1}{2} QV$
- $F = BI$
- $F = BQv$
- $Q = Q_0 e^{-t/RC}$
- $\Phi = BA$

$$\text{magnitude of induced e.m.f.} = N \frac{\Delta\Phi}{\Delta t}$$

$$I_{\text{rms}} = \frac{I_0}{\sqrt{2}}$$

$$V_{\text{rms}} = \frac{V_0}{\sqrt{2}}$$

### Mechanical and Thermal Properties

$$\text{the Young modulus} = \frac{\text{tensile stress}}{\text{tensile strain}} = \frac{F}{A} \frac{l}{e}$$

$$\text{energy stored} = \frac{1}{2} Fe$$

$$\Delta Q = mc \Delta\theta$$

$$\Delta Q = ml$$

$$pV = \frac{1}{3} Nmc^2$$

$$\frac{1}{2} mc^2 = \frac{3}{2} kT = \frac{3RT}{2N_A}$$

### Nuclear Physics and Turning Points in Physics

$$\text{force} = \frac{eV_p}{d}$$

$$\text{force} = Bev$$

$$\text{radius of curvature} = \frac{mv}{Be}$$

$$\frac{eV}{d} = mg$$

$$\text{work done} = eV$$

$$F = 6\pi\eta rv$$

$$I = k \frac{I_0}{x^2}$$

$$\frac{\Delta N}{\Delta t} = -\lambda N$$

$$\lambda = \frac{h}{\sqrt{2meV}}$$

$$N = N_0 e^{-\lambda t}$$

$$T_{\frac{1}{2}} = \frac{\ln 2}{\lambda}$$

$$R = r_0 A^{\frac{1}{3}}$$

$$E = mc^2 = \frac{m_0 c^2}{\left(1 - \frac{v^2}{c^2}\right)^{\frac{1}{2}}}$$

$$l = l_0 \left(1 - \frac{v^2}{c^2}\right)^{\frac{1}{2}}$$

$$t = \frac{t_0}{\left(1 - \frac{v^2}{c^2}\right)^{\frac{1}{2}}}$$

### Astrophysics and Medical Physics

Body	Mass/kg	Mean radius/m
Sun	$2.00 \times 10^{30}$	$7.00 \times 10^8$
Earth	$6.00 \times 10^{24}$	$6.40 \times 10^6$

$$1 \text{ astronomical unit} = 1.50 \times 10^{11} \text{ m}$$

$$1 \text{ parsec} = 206265 \text{ AU} = 3.08 \times 10^{16} \text{ m} = 3.26 \text{ ly}$$

$$1 \text{ light year} = 9.45 \times 10^{15} \text{ m}$$

$$\text{Hubble constant } (H) = 65 \text{ km s}^{-1} \text{ Mpc}^{-1}$$

$$M = \frac{\text{angle subtended by image at eye}}{\text{angle subtended by object at unaided eye}}$$

$$M = \frac{f_o}{f_e}$$

$$m - M = 5 \log \frac{d}{10}$$

$$\lambda_{\text{max}} T = \text{constant} = 0.0029 \text{ m K}$$

$$v = Hd$$

$$P = \sigma AT^4$$

$$\frac{\Delta f}{f} = \frac{v}{c}$$

$$\frac{\Delta \lambda}{\lambda} = -\frac{v}{c}$$

$$R_s \approx \frac{2GM}{c^2}$$

### Medical Physics

$$\text{power} = \frac{1}{f}$$

$$\frac{1}{u} + \frac{1}{v} = \frac{1}{f} \text{ and } m = \frac{v}{u}$$

$$\text{intensity level} = 10 \log \frac{I}{I_0}$$

$$I = I_0 e^{-\mu x}$$

$$\mu_m = \frac{\mu}{\rho}$$

### Electronics

Resistors

Preferred values for resistors (E24)  
Series: 1.0 1.1 1.2 1.3 1.5 1.6 1.8 2.0 2.2 2.4 2.7 3.0 3.3 3.6 3.9 4.3 4.7 5.1 5.6 6.2 6.8 7.5 8.2 9.1 ohms  
and multiples that are ten times greater

$$Z = \frac{V_{\text{rms}}}{I_{\text{rms}}}$$

$$\frac{1}{C_T} = \frac{1}{C_1} + \frac{1}{C_2} + \frac{1}{C_3} + \dots$$

$$C_T = C_1 + C_2 + C_3 + \dots$$

$$X_C = \frac{1}{2\pi f C}$$

### Alternating Currents

$$f = \frac{1}{T}$$

### Operational amplifier

$$G = \frac{V_{\text{out}}}{V_{\text{in}}} \quad \text{voltage gain}$$

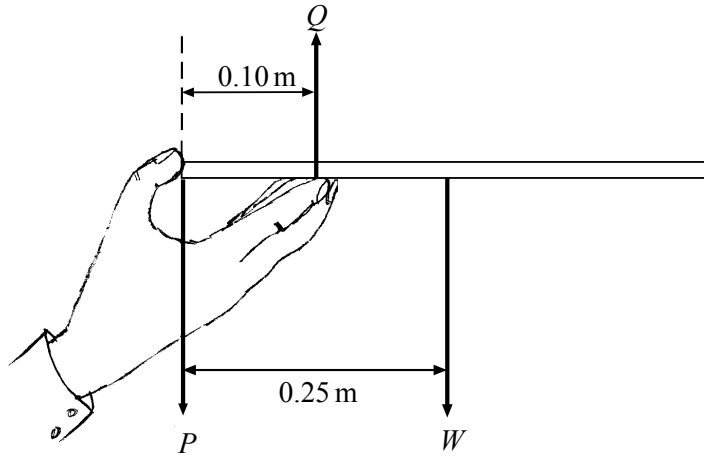
$$G = -\frac{R_f}{R_1} \quad \text{inverting}$$

$$G = 1 + \frac{R_f}{R_1} \quad \text{non-inverting}$$

$$V_{\text{out}} = -R_f \left( \frac{V_1}{R_1} + \frac{V_2}{R_2} + \frac{V_3}{R_3} \right) \quad \text{summing}$$

Answer **all** questions in the spaces provided.

1 A waiter holds a tray horizontally in one hand between fingers and thumb as shown in the diagram.



$P$ ,  $Q$  and  $W$  are the three forces acting on the tray.

(a) (i) State **two** relationships between the forces that must be satisfied if the tray is to remain horizontal and in equilibrium.

.....

.....

.....

(ii) If the mass of the tray is 0.12 kg, calculate the magnitude of the force  $W$ .

.....

.....

(iii) Calculate the magnitudes of forces  $P$  and  $Q$ .

.....

.....

.....

.....

(6 marks)

(b) The waiter places a glass on the tray. State and explain where the glass should be positioned on the tray if the force,  $P$ , is to have the same value as in part (a).

.....

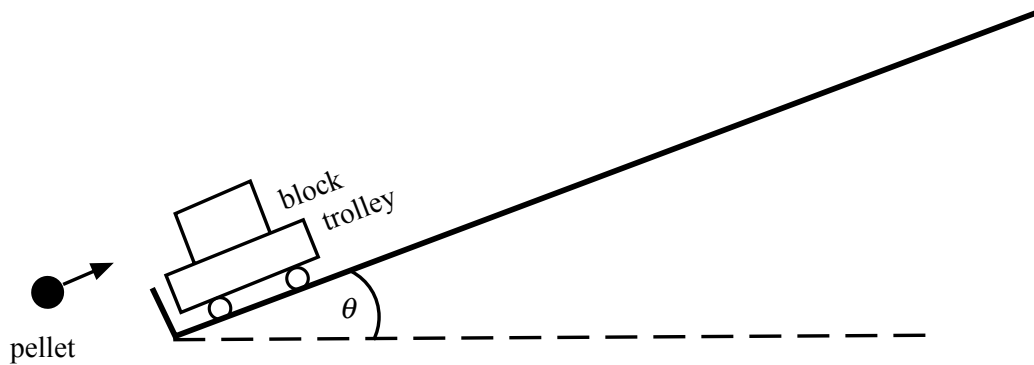
.....

.....

(2 marks)

Turn over ▶

- 2 The diagram represents part of an experiment that is being used to estimate the speed of an air gun pellet.



The pellet which is moving parallel to the track, strikes the block, embedding itself. The trolley and the block then move along the track, rising a vertical height,  $h$ .

- (a) Using energy considerations explain how the speed of the trolley and block immediately after it has been struck by the pellet, may be determined from measurements of  $h$ . Assume frictional forces are negligible.

.....

.....

.....

.....

.....

.....

.....

(3 marks)

(b) The following data is collected from the experiment

mass of trolley and block	0.50 kg
mass of pellet	0.0020 kg
speed of trolley and block immediately after impact	0.40 m s <sup>-1</sup>

Calculate

(i) the momentum of the trolley and block immediately after impact,

.....  
 .....

(ii) the speed of the pellet just before impact.

.....  
 .....

(4 marks)

(c) (i) State what is meant by an inelastic collision.

.....  
 .....

(ii) Use the data from part (b) to show that the collision between the pellet and block is inelastic.

.....  
 .....

(4 marks)

3 A girl kicks a ball along the ground at a wall 2.0 m away. The ball strikes the wall normally at a velocity of  $8.0 \text{ m s}^{-1}$  and rebounds in the opposite direction with an initial velocity of  $6.0 \text{ m s}^{-1}$ . The girl, who has not moved, stops the ball a short time later.

(a) Explain why the final displacement of the ball is not 4.0 m.

.....

.....

.....

(1 mark)

(b) Explain why the average velocity of the ball is different from its average speed.

.....

.....

.....

(2 marks)

(c) The ball has a mass of 0.45 kg and is in contact with the wall for 0.10 s. For the period of time the ball is in contact with the wall,

(i) calculate the average acceleration of the ball.

.....

.....

(ii) calculate the average force acting on the ball.

.....

(iii) state the direction of the average force acting on the ball.

.....

(5 marks)



- 4 (a) A cylinder of fixed volume contains 15 mol of an ideal gas at a pressure of 500 kPa and a temperature of 290 K.

(i) Show that the volume of the cylinder is  $7.2 \times 10^{-2} \text{ m}^3$ .

.....  
.....

(ii) Calculate the average kinetic energy of a gas molecule in the cylinder.

.....  
.....

(4 marks)

- (b) A quantity of gas is removed from the cylinder and the pressure of the remaining gas falls to 420 kPa. If the temperature of the gas is unchanged, calculate the amount, in mol, of gas remaining in the cylinder.

.....  
.....  
.....

(2 marks)

- (c) Explain in terms of the kinetic theory why the pressure of the gas in the cylinder falls when gas is removed from the cylinder.

.....  
.....  
.....  
.....  
.....

(4 marks)

10

- 5 (a) A student immerses a 2.0 kW electric heater in an insulated beaker of water. The heater is switched on and after 120 s the water reaches boiling point.

The table below gives data collected during the experiment.

initial mass of beaker	25 g
initial mass of beaker and water	750 g
initial temperature of water	20 °C
final temperature of water	100 °C

Calculate the specific heat capacity of water if the thermal capacity of the beaker is negligible.

.....  
.....  
.....

(4 marks)

- (b) The student in part (a) continues to heat the water so that it boils for 105 s. When the mass of the beaker and water is measured again, it is found that it has decreased by 94 g.

- (i) Calculate a value for the specific latent heat of vaporisation of water.

.....  
.....

- (ii) State **two** assumptions made in your calculation.

.....  
.....

(4 marks)

6 (a) A man jumps from a plane that is travelling horizontally at a speed of  $70 \text{ m s}^{-1}$ . If air resistance can be ignored, determine

(i) his horizontal velocity 2.0 s after jumping,

.....

(ii) his vertical velocity 2.0 s after jumping,

.....

.....

.....

(iii) the magnitude and direction of his resultant velocity 2.0 s after jumping.

.....

.....

.....

.....

.....

(5 marks)

(b) After 2.0 s the man opens his parachute. Air resistance is no longer negligible. Explain in terms of Newton's laws of motion, why

(i) his velocity initially decreases,

.....

.....

.....

(ii) a terminal velocity is reached.

.....

.....

.....

.....

(4 marks)

9

Turn over ►

7 In an experiment to measure the power output of a motor, the motor is used to lift a metal block vertically at constant speed.

You may be awarded marks for the quality of written communication in your answers.

(a) Describe an experiment to check whether the speed of the rising mass is constant.

.....  
.....  
.....  
.....  
.....

(2 marks)

(b) Explain how the output power of the motor is calculated, stating what measurements need to be made.

.....  
.....  
.....  
.....  
.....  
.....

(2 marks)

**QUALITY OF WRITTEN COMMUNICATION** (2 marks)

○  
—  
4

○  
—  
2

**END OF QUESTIONS**