



GCE MARKING SCHEME

MATHEMATICS - M1-M3 & S1-S3 AS/Advanced

SUMMER 2013

INTRODUCTION

The marking schemes which follow were those used by WJEC for the Summer 2013 examination in GCE MATHEMATICS. They were finalised after detailed discussion at examiners' conferences by all the examiners involved in the assessment. The conferences were held shortly after the papers were taken so that reference could be made to the full range of candidates' responses, with photocopied scripts forming the basis of discussion. The aim of the conferences was to ensure that the marking schemes were interpreted and applied in the same way by all examiners.

It is hoped that this information will be of assistance to centres but it is recognised at the same time that, without the benefit of participation in the examiners' conferences, teachers may have different views on certain matters of detail or interpretation.

WJEC regrets that it cannot enter into any discussion or correspondence about these marking schemes.

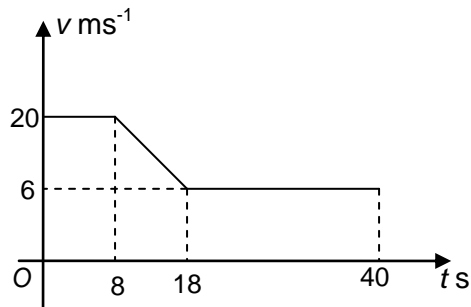
Paper	Page
M1	1
M2	9
M3	17
S1	23
S2	26
S3	29

M1

Q

Solution

Mark Notes



1(a)

B1 (0, 20) to (8, 20)
Or (18, 6) to (40, 6)
B1 (8, 20) to (18, 6)
B1 completely correct with all units and labels.

1(b) Deceleration = gradient of graph

$$D = \frac{20-6}{18-8}$$

$$D = \underline{1.4 \text{ ms}^{-2}}$$

M1 any correct method

A1 ft graph +/-

A1 cao

OR

Use of $v = u + at$, $v=6$, $u=20$, $t=10$

$$6 = 20 + 10a$$

$$a = -1.4 \text{ ms}^{-2}$$

Magnitude of acceleration = 1.4 ms^{-2}

M1

A1 allow $-a$

A1 cao

1(c) Distance AB = Area under graph

$$= (8 \times 20) + 0.5(20 + 6) \times 10 + (22 \times 6)$$

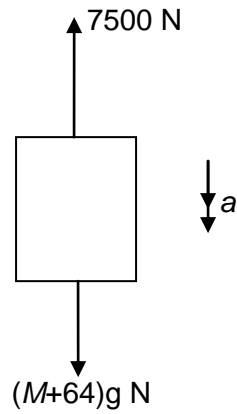
$$= 160 + 130 + 132$$

$$= \underline{422 \text{ m}}$$

M1 used. Oe

B1 any correct area, ft graph

A1 cao



2(a)

N2L applied to lift and person

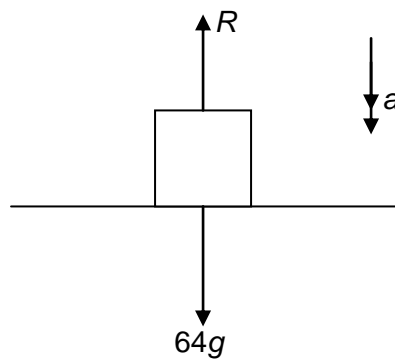
$$(M + 64)g - 7500 = (M+64) \times 0.425$$

$$M = \underline{736}$$

M1 dim correct equation,
forces opposing

A1 correct equation

A1



2(b)

N2L applied to person

$$64g - R = 64a$$

$$R = 64 \times 9.8 - 64 \times 0.425$$

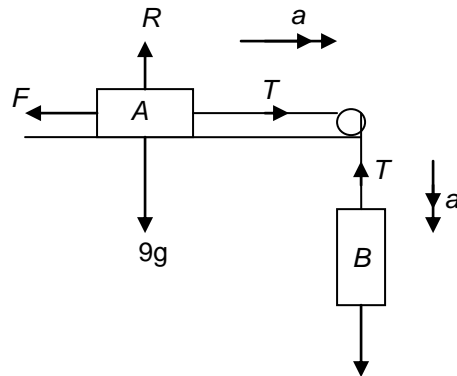
$$R = \underline{600 \text{ N}}$$

M1 64g and R opposing
Dim correct equation

A1 correct equation

A1

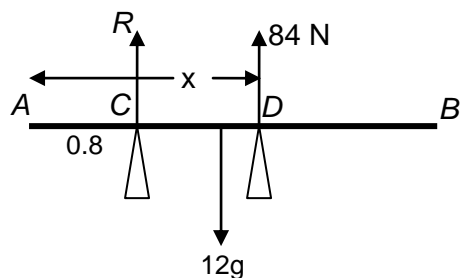
Q	Solution	Mark	Notes
3(a)	$v^2 = u^2 + 2as$, $v=0$, $a=(\pm)9.8$, $s=18.225$ $0 = u^2 - 2 \times 9.8 \times 18.225$ $u = \underline{18.9}$	M1 A1 A1	oe used convincing
3(b)	Use of $s = ut + 0.5at^2$, $s=(\pm)2.8$, $a=(\pm)9.8$, $u=18.9$ $-2.8 = 18.9t + 0.5 \times (-9.8)t^2$ $4.9t^2 - 18.9t - 2.8 = 0$ $7t^2 - 27t - 4 = 0$ $(7t + 1)(t - 4) = 0$ $t = \underline{4s}$	M1 A1 m1 A1	oe correct method for solving quad equ seen cao



4

5
~

- 4(a) N2L applied to B
 $5g - T = 5a$ M1 dim correct equation
 $5g$ and T opposing.
 $T = 5 \times 9.8 - 5 \times 1.61$ A1
 $T = \underline{40.95 \text{ N}}$ A1 cao
 $R = 9g = (88.2 \text{ N})$ B1 si
 $F = 9\mu g = (88.2\mu)$ B1 si
- N2L applied to A M1 dim correct equation
 T and F opposing
 $T - F = 9a$ A1
 $T - 88.2\mu = 9 \times 1.61$
 $\mu = \underline{0.3}$ A1 cao
- 4(b) limiting friction $= 9\mu g = 9 \times 0.6g = 5.4g$ B1
 Limiting friction $> 5g$
 Particle will remain at rest R1 oe
 $T = 5g = \underline{49 \text{ N}}$ B1



5

5(a)(i) Resolve vertically

$$R + 84 = 12g$$

$$R = \underline{33.6}$$

M1 all forces, no extras

A1

A1 cao

5(a)(ii) Moments about C

$$12g \times 0.2 = 84(x - 0.8)$$

$$84x = 12g \times 0.2 + 84 \times 0.8$$

$$x = \underline{1.08}$$

M1 equation, no extra force
oe

B1 any correct moment

A1 correct equation

A1 cao

5(b) When about to tilt about C, $R_D = 0$

Moments about C

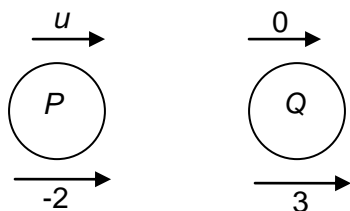
$$Mg \times 0.8 = 12g \times 0.2$$

$$M = \underline{3}$$

M1 si

m1 equation, no extra force

A1



6.

- | | | | |
|------|---|----------------|---|
| 6(a) | Conservation of momentum
$2u + 5 \times 0 = 2 \times (-2) + 5 \times 3$
$u = \underline{5.5}$ | M1
A1
A1 | equation required, only 1 sign error.
correct equation |
| 6(b) | Restitution
$3 - (-2) = -e(0 - 5.5)$
$e = \frac{10}{11} = 0.909$ | M1
A1
A1 | only 1 sign error
ft u
cao |
| 6(c) | Impulse = change of momentum
$I = 5(3 - 0)$
$I = \underline{15 \text{ (Ns)}}$ | M1
A1 | for P or Q
+ required |
| 6(d) | $v' = ev$
$v' = 0.25 \times 3$
$v' = \underline{0.75 \text{ ms}^{-1}}$ | M1
A1 | used
+ required |

Q	Solution	Mark	Notes
7.(a)	Resolve $X = 85 - 40 + 75 \cos\alpha$ $X = 85 - 40 + 75 \times 0.8$ $X = 105$	M1 B1 A1	attempted any correct resolution all correct accept $\cos 36.9$
	Resolve $Y = 60 - 75 \sin\alpha$ $Y = 60 - 75 \times 0.6$ $Y = 15$	M1 A1	attempted all correct, accept $\sin 36.9$
	$R = \sqrt{105^2 + 15^2}$ $R = 75\sqrt{2} = \underline{106.066 \text{ N}}$	M1 A1	 cao
	$\theta = \tan^{-1}\left(\frac{15}{105}\right)$ $\theta = \underline{8.13^\circ}$	M1 A1	allow reciprocal cao
7(b)	N2L applied to particle $75\sqrt{2} = 5a$ $a = 15\sqrt{2} = \underline{21.21 \text{ ms}^{-2}}$	M1 A1	dim correct equation ft R if first 2 M's gained.

Q	Solution			Mark	Notes
8.	Area	from AD	from AB		
	$APCD$ 48	3	4	B1	
	PBC 24	8	$8/3$	B1	
	Circle 4π	3	3	B1	
	Lamina $(72-4\pi)$	x	y	B1	areas
8(a)	Moments about AD			M1	equation
	$48 \times 3 + 24 \times 8 = 4\pi \times 3 + (72 - 4\pi)x$			A1	ft table
	$x = \underline{5.02 \text{ cm}}$			A1	cao
	Moments about AB			M1	equation
	$48 \times 4 + 24 \times 8/3 = 4\pi \times 3 + (72 - 4\pi)y$			A1	ft table
	$y = \underline{3.67 \text{ cm}}$			A1	cao
8(b)	$AQ = \underline{3.67 \text{ cm}}$			B1	ft y

M2

Q	Solution	Mark	Notes
1(a)	$\begin{aligned} \text{Loss in KE} &= 0.5mv^2 \\ &= 0.5 \times 8 \times 7^2 \\ &= \underline{196\text{J}} \end{aligned}$	M1 A1	Corr use of KE formula
1(b)	<p>Work energy principle</p> $196 = F \times 15$ $F = \mu R$ $= 8g\mu = (78.4\mu)$ <p>Therefore $196 = 78.4\mu \times 15$</p> $\mu = \frac{1}{6}$	M1 A1 B1 A1	correct use ft loss in KE ft loss in KE. Isw
	<p>OR</p> <p>Use of $v^2 = u^2 + 2as$</p> $0 = 7^2 + 2a \times 15$ $a = -1.633$ <p>Use $F = ma$</p> $-F = 8 \times -1.633$ $F = 8\mu g$ $\mu = \frac{13.067}{8g} = \frac{1}{6}$	(M1) (M1) (B1) (A1)p	

Q	Solution	Mark	Notes
2(a)	$\mathbf{r} = \int \mathbf{v} dt$ $\mathbf{r} = \int (13t-3)\mathbf{i} + (2+3t^2)\mathbf{j} dt$ $\mathbf{r} = \left(\frac{13}{2}t^2 - 3t\right)\mathbf{i} + (2t + t^3)\mathbf{j} + (\underline{\mathbf{c}})$	M1	use of integration
	<p>When $t = 0$,</p> $\mathbf{c} = 2\mathbf{i} + 7\mathbf{j}$ $\mathbf{r} = (6.5t^2 - 3t + 2)\mathbf{i} + (2t + t^3 + 7)\mathbf{j}$	m1 A1	use of initial conditions ft \mathbf{r}
2(b)	$\mathbf{a} = \frac{d\mathbf{v}}{dt}$ $= 13\mathbf{i} + 6t\mathbf{j}$		M1 use of differentiation
		A1	
2(c)	<p>We require $\mathbf{v} \cdot (\mathbf{i} - 2\mathbf{j}) = 0$</p> $\mathbf{v} \cdot (\mathbf{i} - 2\mathbf{j}) = (13t - 3) - 2(2 + 3t^2)$ $= -6t^2 + 13t - 7$ $6t^2 - 13t + 7 = 0$ $(6t - 7)(t - 1) = 0$	M1 M1 A1	used allow sign errors any form
	$t = \underline{1, 7/6}$	m1 A1	method for quad equation Depends on both M's

Q	Solution	Mark	Notes
3(a)(i)	Initial horizontal speed = $15\cos\alpha$ = 15×0.8 = 12 ms^{-1}	B1	
	Time of flight = $9/12$ = <u>0.75s</u>	M1 A1	any correct form
3(a)(ii)	Initial vertical speed = $15 \sin\alpha$ = 15×0.6 = 9 ms^{-1}	B1	
	Use of $s = ut + 0.5at^2$, $u=9(\text{c})$, $a=(\pm)9.8$, $t=0.75(\text{c})$	M1	
	$s = 9 \times 0.75 - 0.5 \times 9.8 \times 0.75^2$ $s = 3.99375 \text{ m}$	A1	si
	Height of B above ground = <u>4.99375 m</u>	A1	ft s
3(b)	use of $v^2 = u^2 + 2as$, $u=9$, $a=(\pm)9.8$, $s=-1$ $v^2 = 9^2 + 2(-9.8)(-1)$ $v^2 = 100.6$	M1 A1	allow sign errors
	$u_H = 12$	B1	ft candidate's value
	Speed = $\sqrt{12^2 + 100.6}$	m1	
	Speed = <u>15.64 ms^{-1}</u>	A1	cao

Q	Solution	Mark	Notes
4(a)	Resolve vertically $R\sin\theta = Mg$ $\sin\theta = \frac{3}{5}$ $R = Mg \times \frac{5}{3}$ $R = 5Mg/3$	M1 A1 B1 A1	dim correct answer given, convincing.
4(b)	N2L towards centre $R\cos\theta = Ma$ $\frac{5Mg}{3} \times \frac{4}{5} = M \times \frac{8g}{3r}$ $CP = r = 2$ $\frac{\text{Height}}{r} = \frac{4}{3}$ $\text{Height} = \frac{8}{3} \text{ m}$	M1 A1 A1 M1 A1	dim correct use of similar triangles ft candidate's r if first M1 given.

Q	Solution	Mark	Notes
5(a)	$0 < t < 6$	B1 B1	
5(b)	Distance $t = 6$ to $t = 9 = \int_6^9 2t^2 - 12t \, dt$	M1	use of integration Limits not required
	Distance $= [2t^3/3 - 6t^2]_6^9$ $= 72$	A1	correct integration
	Distance $t = 0$ to $t = 6 = -\int_0^6 2t^2 - 12t \, dt$ Distance $= -[2t^3/3 - 6t^2]_0^6$ $= -[-72]$ $= 72$	A1	or for the other integral
	Required distance $= 72 + 72$ $= \underline{144}$	m1 A1	cao

Q	Solution	Mark	Notes
6(a)	$T = P/v$ $T = \frac{60 \times 1000}{20}$ $T = \underline{3000 \text{ N}}$	M1 A1	used
6(b)	Apply N2L to car and trailer $T - (1500+500)g\sin\alpha - (170+30) = 2000a$ $3000 - 2000 \times 9.8 \times \frac{1}{14} - 200 = 2000a$ $a = \underline{0.7 \text{ ms}^{-2}}$	M1 A2 A1	dim correct equation All forces present -1 each error convincing
6(c)	N2L applied to trailer $T - 500g\sin\alpha - 30 = 500a$ $T = 500 \times 9.8 \times \frac{1}{14} + 30 + 500 \times 0.7$ $T = \underline{730 \text{ N}}$ OR N2L applied to car $3000 - 1500g\sin\alpha - 170 - T = 1500 \times 0.7$ $T = 3000 - 1500 \times 9.8 \times \frac{1}{14} - 170 - 1500 \times 0.7$ $T = \underline{730 \text{ N}}$	M1 A2 A1 (M1) (A2) (A1)	dim correct, all forces -1 each error dim correct, all forces -1 each error

Q	Solution	Mark	Notes
7(a)	$\text{PE at start} = -2 \times 9.8 \times 0.7$ $= -13.72 \text{ J}$	M1 A1	mgh used allow 0.7, (1.2+x), (0.5+x), 1.2, 0.5, x.
	$\text{PE at end} = -2 \times 9.8 \times (1.2 + x)$ $= -23.52 - 19.6x$		
	$\text{EE at end} = \frac{1}{2} \times \frac{360}{1.2} x^2$	M1 A1	use of formula
	$\text{EE at end} = 150x^2$		
	Conservation of energy $150x^2 - 19.6x - 23.52 = -13.72$ $150x^2 - 19.6x - 9.8 = 0$ $x = \underline{0.33}$	M1 A1 A1	equation, all energies correct equation any form cao
7(b)	$\text{KE at end} = 0.5 \times 2v^2$ $= v^2$	B1	
	$\text{PE at end} = -2 \times 9.8 \times 1.2$ $= -23.52$		
	Conservation of energy $v^2 - 23.52 = -13.72$ $v^2 = 9.8$ $v = \underline{3.13 \text{ ms}^{-1}}$	M1 A1 A1	equation, no EE correct equation, any form

Q	Solution	Mark	Notes
8(a)	<p>Conservation of energy</p> $0.5mu^2 + mgr\cos\alpha = 0.5mv^2 + mgr\cos\theta$ $0.5 \times 3 \times 5^2 + 3 \times 9.8 \times 4 \times 0.8 =$ $0.5 \times 3 \times v^2 + 3 \times 9.8 \times 4 \times \cos\theta$ $75 + 188.16 = 3v^2 + 235.2\cos\theta$ $v^2 = 87.72 - 78.4\cos\theta$ $v = \sqrt{(87.72 - 78.4\cos\theta)}$	<p>M1 A1 A1 A1</p>	<p>equation required KE PE cao</p>
8(b)	<p>N2L towards centre</p> $mg\cos\theta - R = ma$ $R = 3 \times 9.8\cos\theta - \frac{3}{4}(87.72 - 78.4\cos\theta)$ $R = 29.4\cos\theta - 65.79 + 58.8\cos\theta$ $R = \underline{88.2\cos\theta - 65.79}$	<p>M1 A1 m1</p>	<p>dim correct, all forces substitute, v^2/r</p>

M3

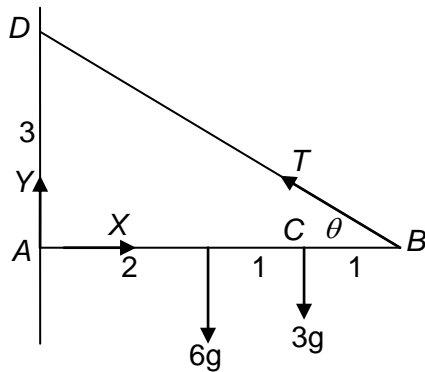
Q	Solution	Mark	Notes
1(a)(i)	Apply N2L to particle $ma = -mg - 3v$ $2 \frac{dv}{dt} = -19.6 - v$	M1 A1	dim correct equation
1(a)(ii)	$\int \frac{2dv}{19.6+v} = - \int dt$ $2 \ln 19.6+v = -t + (C)$ $t = 0, v = 24.5$ $C = 2 \ln 44.1 $ $-t = 2 \ln \left \frac{19.6+v}{44.1} \right $ $e^{-t/2} = \frac{19.6+v}{44.1}$ $v = \underline{44.1 e^{-t/2} - 19.6}$	M1 A1 m1 A1 m1 A1	sep. of variables correct integration use of initial conditions ft no 2,1/2. inversion ln to e cao
1(b)	At maximum height, $v = 0$ $t = -2 \ln \left \frac{19.6}{44.1} \right $ $= \underline{2 \ln(2.25) = 1.62 \text{ s}}$	M1 A1	si ft similar expression
1(c)	$\frac{dx}{dt} = 44.1 e^{-t/2} - 19.6$ $x = -88.2 e^{-t/2} - 19.6t (+ C)$ When $t = 0, x = 0$ $C = 88.2$ $x = \underline{88.2 - 88.2 e^{-t/2} - 19.6t}$	M1 A1 m1 A1	$v = \frac{dx}{dt}$ used ft correct integration use of initial conditions ft one slip

Q	Solution	Mark	Notes
2(a)	Amplitude $a = 0.5$	B1	
2(b)	Period = $\frac{2\pi}{\omega} = 2$ $\omega = \pi$ Maximum acceleration = $a\omega^2 = 0.5 \times \pi^2$ Occurs at end points of motion	M1 A1 B1 B1	si ft amplitude a .
2(c)	Let $x = a\cos(\omega t)$ $-0.25 = 0.5\cos(\pi t)$ $\cos(\pi t) = -0.5$ $\pi t = \frac{2\pi}{3}$ $t = \frac{2}{3}$	M1 m1 A1	cao
2(d)	$v^2 = \omega^2(a^2 - x^2), x = 0.3, \omega = \pi$ $v^2 = \pi^2(0.5^2 - 0.3^2)$ $v^2 = \pi^2 \times 0.4^2$ $v = (\pm)0.4\pi$ speed = 0.4π	M1 A1 A1	ft cao

Q	Solution	Mark	Notes
3(a)(i)	Apply N2L to P $2a = -8x - 10v$ $\frac{d^2x}{dt^2} = -4x - 5\frac{dx}{dt}$	M1 A1	
3(a)(ii)	$\frac{d^2x}{dt^2} + 5\frac{dx}{dt} + 4x = 0$ Auxiliary equation $m^2 + 5m + 4 = 0$ $(m + 4)(m + 1) = 0$ $m = -4, -1$ CF $x = Ae^{-t} + Be^{-4t}$ When $t = 0, x = 2, \frac{dx}{dt} = 3$ $2 = A + B$ $\frac{dx}{dt} = -Ae^{-t} - 4Be^{-4t}$ $3 = -A - 4B$ Adding $5 = -3B$ $B = -\frac{5}{3}$ $A = 2 + \frac{5}{3} = \frac{11}{3}$ $x = \frac{11}{3}e^{-t} - \frac{5}{3}e^{-4t}$	B1 B1 B1 M1 B1 A1 m1 A1	ft values of roots use of initial conditions both equations correct solving simultaneously cao
3(b)	Try $x = at + b$ $\frac{dx}{dt} = a$ $5a + 4(at + b) = 12t - 3$ $4a = 12$ $a = 3$ $5a + 4b = -3$ $15 + 4b = -3$ $4b = -18$ $b = -\frac{9}{2}$ General solution $x = Ae^{-t} + Be^{-4t} + 3t - \frac{9}{2}$	M1 A1 m1 A1	comparing coefficients cao

Q	Solution	Mark	Notes
4	Initial speed of A just before impact = v $v^2 = u^2 + 2as$, $u=0$, $a=(\pm)9.8$, $s=(1.8-0.2)$ $v^2 = 0 + 2 \times 9.8 \times 1.6$ $v = \underline{5.6 \text{ ms}^{-1}}$	M1 A1 A1	cao
	Impulse = Change in momentum Applied to B $J = 3v$	M1 B1	used
	Applied to A $J = 5 \times 5.6 - 5v$	A1	ft c's answer in (a)
	Solving $3v = 28 - 5v$ $8v = 28$ $v = \underline{3.5 \text{ ms}^{-1}}$ $J = \underline{10.5 \text{ Ns}}$	m1 A1 A1	cao cao

Q	Solution	Mark	Notes
5(a)	N2L applied to particle		
	$0.25 a = \frac{5}{2x+1}$	M1	
	$v \frac{dv}{dx} = \frac{20}{2x+1}$	M1	$a = v \frac{dv}{dx}$
	$\int v dv = 10 \int \frac{2}{2x+1} dx$	M1	separating variables
	$\frac{1}{2} v^2 = 10 \ln 2x+1 + C$	A1	correct integration ln
	When $x = 0, v = 4$	A1	LHS correct
		m1	use of boundary cond.
			All 3 M's awarded
	$8 = 10 \ln(1) + C$		
	$C = 8$		
	$v^2 = 20 \ln 2x+1 + 16$		
	$\ln 2x+1 = \frac{1}{20} (v^2 - 16)$		
	$2x+1 = e^{0.05(v^2-16)}$	m1	inversion, 3 M's awarded
	$x = 0.5(e^{0.05(v^2-16)} - 1)$	A1	cao any equivalent exp.
5(b)	$v = 6$		
	$x = 0.5(e^{0.05(36-16)} - 1)$	M1	exp. with v^2 needed
	$x = 0.5(e - 1)$		
	$x = \underline{0.86 \text{ m}}$	A1	cao
5(c)	$a = 5$		
	$\frac{20}{2x+1} = 5$	M1	
	$20 = 10x + 5$		
	$x = 1.5$	A1	
	$v^2 = 20 \ln(3+1) + 16$	m1	substitution in expression with v^2 .
	$= 20 \ln 4 + 16$		
	$v = \underline{6.61 \text{ ms}^{-1}}$	A1	cao



6

- 6(a) Moments about A
- M1 equation, no extra forces
No missing forces
- A2 -1 each error
- $$6g \times 2 + 3g \times 3 = T \times 4 \sin \theta$$
- $$4 \times \frac{3}{5} T = 21g$$
- $$T = \frac{35}{4} g = 85.75 \text{ N}$$
- A1 cao
- 6(b) Resolve vertically
- M1 equation, all forces, no extra force
- A1
- $$T \sin \theta + Y = 9g$$
- $$Y = 9g - \frac{35}{4} g \times \frac{3}{5}$$
- $$Y = \frac{15}{4} g = 36.75 \text{ N}$$
- A1 cao
- Resolve horizontally
- $$T \cos \theta = X$$
- M1 equation, all forces,
No extra force
- $$X = \frac{35}{4} g \times \frac{4}{5}$$
- $$X = 7g = 68.6 \text{ N}$$
- A1 cao
- 6(b)(i) Magnitude of reaction at wall
- $$= \sqrt{68 \cdot 6^2 + 36 \cdot 75^2}$$
- M1
- $$= 77.82 \text{ N}$$
- A1 ft X and Y
- 6(b)(ii) $\mu = \frac{Y}{X}$
- M1 used
- $$\mu = \frac{15}{4 \times 7} = \frac{15}{28}$$
- A1 ft X and Y if answer < 1.

S1

Ques	Solution	Mark	Notes
1(a)	$P(A \cup B) = P(A) + P(B)$	M1	Award M1 for using formula
(b)	$P(B) = 0.4 - 0.25 = 0.15$ $P(A \cup B) = P(A) + P(B) - P(A)P(B)$ $0.4 = 0.25 + P(B) - 0.25P(B)$ $P(B) = 0.15/0.75 = 0.2$	A1 M1 A1 A1	Award M1 for using formula
2(a)	P(1 of each) = $\frac{5}{10} \times \frac{3}{9} \times \frac{2}{8} \times 6$ or $\binom{5}{1} \times \binom{3}{1} \times \binom{2}{1} \div \binom{10}{3}$ $= \frac{1}{4}$	M1A1 A1	M1A0A0 if 6 omitted Special case : if they use an incorrect total, eg 9 or 11, FT their incorrect total but subtract 2 marks at the end
(b)	P(3 war) = $\frac{5}{10} \times \frac{4}{9} \times \frac{3}{8}$ or $\binom{5}{3} \div \binom{10}{3}$ $= \frac{1}{12}$	M1 A1	
(c)	P(3 cowboy) = $\frac{3}{10} \times \frac{2}{9} \times \frac{1}{8}$ or $\binom{3}{3} \div \binom{10}{3}$ $= \frac{1}{120}$ P(3 the same) = $\frac{1}{12} + \frac{1}{120} = \frac{11}{120}$	B1 M1A1	
3	$E(X) = 20$ $\text{Var}(X) = 4$ (SD = 2) $E(Y) = 20a + b = 65$ $\text{Var}(Y) = 4a^2 = 36$ $a = 3$ $b = 5$	B1 B1 B1 B1 B1 B1	Accept SD(Y) = 2a = 6 Must be justified by solving the two equations
4(a)(i)	B(20,0.25)	B1	B must be mentioned and the parameters n and p must be seen or implied somewhere in the question FT an incorrect p except for the last three marks M0 if no working seen M0 if no working seen Accept the use of tables Correct values only (no FT)
(ii)	$P(3 \leq X \leq 9) = 0.9087 - 0.0139$ or $0.9861 - 0.0913$ $= 0.8948$	B1B1 B1	
(iii)	$P(X = 6) = \binom{20}{6} \times 0.25^6 \times 0.75^{14}$ $= 0.169$	M1 A1	
(b)(i)	Let Y denote the number of throws giving '8' Then Y is B(160,0.0625) \approx Poi(10). $P(Y = 12) = e^{-10} \times \frac{10^{12}}{12!}$ $= 0.0948$	B1 M1 A1	
(ii)	$P(6 \leq Y \leq 14) = 0.9165 - 0.0671$ or $0.9329 - 0.0835$ $= 0.8494$ cao	B1B1 B1	

<p>5(a)</p> <p>(b)</p>	$P(1) = \frac{1}{3} \times \frac{1}{4} + \frac{1}{3} \times \frac{1}{3} + \frac{1}{3} \times \frac{1}{2}$ $= \frac{13}{36} \quad (0.361)$ $P(A 1) = \frac{1/12}{13/36}$ $= \frac{3}{13} \quad \text{cao} \quad (0.231)$	<p>M1A1</p> <p>A1</p> <p>B1B1</p> <p>B1</p>	<p>M1 Use of Law of Total Prob (Accept tree diagram)</p> <p>FT denominator from (a) B1 num, B1 denom</p>
<p>6(a)</p> <p>(b)</p>	<p>The sequence is MMMH si Prob = $0.3 \times 0.3 \times 0.3 \times 0.7 = 0.0189$</p> <p>The sequence is MHH or HMH si Prob = $0.3 \times 0.7 \times 0.7 + 0.7 \times 0.3 \times 0.7 = 0.294$</p>	<p>B1</p> <p>M1A1</p> <p>B1</p> <p>M1A1</p>	<p>Award B1 for 0.147</p>
<p>7(a)</p> <p>(b)</p> <p>(c)(i)</p> <p>(ii)</p>	$\sum p_x = k \left(1 + \frac{1}{2} + \frac{1}{4} + \frac{1}{8} \right) = 1$ $k \left(\frac{8+4+2+1}{8} \right) = 1 \rightarrow k = \frac{8}{15}$ $E(X) = \frac{8}{15} \times 1 + \frac{4}{15} \times 2 + \frac{2}{15} \times 4 + \frac{1}{15} \times 8$ $= \frac{32}{15} \quad (2.13)$ $E(X^2) = \frac{8}{15} \times 1 + \frac{4}{15} \times 4 + \frac{2}{15} \times 16 + \frac{1}{15} \times 64 \quad (8)$ $\text{Var}(X) = 8 - \left(\frac{32}{15} \right)^2 = 3.45 \quad (776/225)$ <p>The possibilities are (1,1); (2,2); (4,4); (8,8) si</p> $P(X_1 = X_2) = \left(\frac{8}{15} \right)^2 + \left(\frac{4}{15} \right)^2 + \left(\frac{2}{15} \right)^2 + \left(\frac{1}{15} \right)^2$ $= \frac{17}{45} \quad (0.378)$ <p>It follows that $P(X_1 \neq X_2) = \frac{28}{45}$</p> <p>And therefore by symmetry $P(X_1 > X_2) = \frac{14}{45}$</p>	<p>M1</p> <p>A1</p> <p>M1</p> <p>A1</p> <p>M1A1</p> <p>A1</p> <p>B1</p> <p>M1</p> <p>A1</p> <p>M1</p> <p>A1</p>	<p>Convincing</p> <p>Accept 3.46</p> <p>FT their answer from (c)(i)</p> <p>Do not accept any other method.</p>

<p>8(a)</p> <p>(b)</p>	<p>Let X denote the number of calls between 9am and 10 am so that X is $Po(5)$</p> $P(X = 7) = \frac{e^{-5} \times 5^7}{7!}$ $= 0.104$ <p>We require</p> $P(\text{calls betw 9 and 10}=7 \text{calls betw 9 and 11}=10)$ $= \frac{P(\text{c b 9 and 10} = 7 \text{ AND c b 9 and 11} = 10)}{P(\text{calls between 9 and 11} = 10)}$ $= \frac{P(\text{c b 9 and 10} = 7) \times P(\text{c b 10 and 11} = 3)}{P(\text{calls between 9 and 11} = 10)}$ $= \frac{e^{-5} \times 5^7}{7!} \times \frac{e^{-5} \times 5^3}{3!} \div \frac{e^{-10} \times 10^{10}}{10!} \quad (\text{denom} = 0.125)$ $= 0.117$	<p>B1</p> <p>M1</p> <p>A1</p> <p>M1</p> <p>A1</p> <p>A1A1</p> <p>A1</p>	<p>M0 no working</p> <p>A1 numerator, A1 denominator The denominator A1 can be awarded if the M1 is awarded</p>
<p>9(a)</p> <p>(b)</p> <p>(c)(i)</p> <p>(ii)</p>	$\int_0^2 k \left(1 - \frac{x^2}{4} \right) dx = 1$ $k \left[x - \frac{x^3}{12} \right]_0^2 = 1$ $k \left(2 - \frac{8}{12} \right) = 1$ $k = \frac{3}{4}$ $E(X) = \int_0^2 x \left(\frac{3}{4} - \frac{3x^2}{16} \right) dx$ $= \left[\frac{3x^2}{8} - \frac{3x^4}{64} \right]_0^2$ $= 0.75$ $F(x) = \int_0^x \left(\frac{3}{4} - \frac{3t^2}{16} \right) dt$ $= \left[\frac{3t}{4} - \frac{t^3}{16} \right]_0^x$ $= \frac{3x}{4} - \frac{x^3}{16}$ $P(0.5 \leq X \leq 1.5) = F(1.5) - F(0.5)$ $= 0.547$	<p>M1</p> <p>A1</p> <p>A1</p> <p>M1A1</p> <p>A1</p> <p>A1</p> <p>M1</p> <p>A1</p> <p>A1</p> <p>M1</p> <p>A1</p>	<p>M1 for $\int f(x)dx$, limits not required until next line</p> <p>M1 for the integral of $xf(x)$, A1 for completely correct although limits may be left until 2nd line.</p> <p>M1 for $\int f(x)dx$</p> <p>A1 for performing the integration</p> <p>A1 for dealing with the limits</p> <p>FT their $F(x)$</p>

Ques	Solution	Mark	Notes
1(a)(i)	$z = \frac{10.5 - 10}{2} = 0.25$ $P(X \leq 10.5) = 0.5987$	M1A1 A1	M0 for 2^2 or $\sqrt{2}$ M1A0 for -0.25 if final answer incorrect M0 no working
(ii)	$x = \frac{x - \mu}{\sigma} = 1.282$ $= 12.564$	M1 A1	M1 for 2.326, 1.645, 2.576 Accept 12.6
(b)(i)	$E(X + 2Y) = 34$ $\text{Var}(X + 2Y) = \text{Var}(X) + 4\text{Var}(Y)$ $= 40$ <p>We require $P(X + 2Y < 36)$</p> $z = \frac{36 - 34}{\sqrt{40}} = 0.32$	B1 B1 M1A1	FT their mean and variance M0 no working
(ii)	$\text{Prob} = 0.6255$ <p>Consider $U = X_1 + X_2 + X_3 - Y_1 - Y_2$</p> $E(U) = 3 \times 10 - 2 \times 12 = 6$ $\text{Var}(U) = 3 \times 4 + 2 \times 9 = 30$ <p>We require $P(U < 0)$</p> $z = \frac{0 - 6}{\sqrt{30}} = -1.10$ $\text{Prob} = 0.136$	A1 B1 M1A1 m1A1 A1	Do not FT their mean and variance
2(a)	$\bar{x} = \frac{9980}{50} (= 199.6)$ $\text{SE of } \bar{X} = \frac{4}{\sqrt{50}} (= 0.5656\dots)$ <p>95% conf limits are $199.6 \pm 1.96 \times 0.5656\dots$ giving [198.5, 200.7] cao</p>	B1 B1 M1A1 A1	M1 correct form, A1 correct z. M0 no working
(b)	<p>Width of 95% CI = $3.92 \times \frac{4}{\sqrt{n}}$ si</p> <p>We require</p> $3.92 \times \frac{4}{\sqrt{n}} < 1$ $n > 245.86\dots$ <p>Minimum $n = 246$</p>	B1 M1 A1 A1	FT their z from (a) Award M1A0A0 for 1.96 instead of 3.92 FT from line above if $n > 50$

<p>3(a)</p> <p>(b)</p>	<p>$H_0 : \mu_B = \mu_G; H_1 : \mu_B \neq \mu_G$</p> <p>$\bar{x}_B = \frac{482}{8} = 60.25; \bar{x}_G = \frac{430}{8} = 53.75$</p> <p>SE of diff of means = $\sqrt{\frac{7.5^2}{8} + \frac{7.5^2}{8}}$ (3.75)</p> <p>Test statistic (z) = $\frac{60.25 - 53.75}{3.75}$</p> <p style="padding-left: 40px;">= 1.73</p> <p>Prob from tables = 0.0418</p> <p style="padding-left: 40px;">p-value = 0.0836</p> <p>Insufficient evidence to conclude that there is a difference in performance between boys and girls.</p>	<p>B1</p> <p>B1B1</p> <p>M1A1</p> <p>m1A1</p> <p>A1</p> <p>A1</p> <p>B1</p> <p>B1</p>	<p>FT their z if M marks gained</p> <p style="padding-left: 40px;">FT on line above</p> <p style="padding-left: 40px;">FT their p-value</p>
<p>4(a)</p> <p>(b)</p> <p>(c)</p>	<p>$H_0 : p = 0.4; H_1 : p > 0.4$</p> <p>Let X = No. supporting politician so that X is B(50,0.4) (under H_0) si</p> <p style="padding-left: 40px;">p-value = $P(X \geq 25 X \text{ is B}(50,0.4))$</p> <p style="padding-left: 40px;">= 0.0978</p> <p>Insufficient evidence to conclude that the support is greater than 40%.</p> <p>X is now B(400,0.4) (under H_0) \approx N(160,96)</p> <p style="padding-left: 40px;">p-value = $P(X \geq 181 X \text{ is N}(160,96))$</p> <p style="padding-left: 40px;">$z = \frac{180.5 - 160}{\sqrt{96}}$</p> <p style="padding-left: 40px;">= 2.09</p> <p style="padding-left: 40px;">p-value = 0.0183</p> <p>Strong evidence to conclude that the support is greater than 40%.</p>	<p>B1</p> <p>B1</p> <p>M1</p> <p>A1</p> <p>B1</p> <p>B1</p> <p>M1</p> <p>m1A1</p> <p>A1</p> <p>A1</p> <p>B1</p>	<p>M0 for $P(X = 25)$ or $P(X > 25)$</p> <p style="padding-left: 40px;">M0 normal or Poisson approx</p> <p>FT on p-value</p> <p>Award m1A0A1A1 for incorrect or no continuity correction</p> <p style="padding-left: 40px;">$181.5 \rightarrow z = 2.19 \rightarrow p = 0.01426$</p> <p style="padding-left: 40px;">$181 \rightarrow z = 2.14 \rightarrow p = 0.01618$</p> <p>FT on p-value</p>
<p>5(a)</p> <p>(b)(i)</p> <p>(ii)</p>	<p>$H_0 : \mu = 1.2 : H_1 : \mu < 1.2$</p> <p>Let X = number of accidents in 60 days</p> <p>Then X is Poi(72) (under H_0) \approx N(72,72) si</p> <p>Sig level = $P(X \leq 58 H_0)$</p> <p style="padding-left: 40px;">$z = \frac{58.5 - 72}{\sqrt{72}}$</p> <p style="padding-left: 40px;">= -1.59</p> <p>Sig level = 0.0559</p> <p>X is now Poi(48) which is approx N(48,48) si</p> <p>$P(\text{wrong conclusion}) = P(X \geq 59 \mu = 0.8)$</p> <p style="padding-left: 40px;">$z = \frac{58.5 - 48}{\sqrt{48}}$</p> <p style="padding-left: 40px;">= 1.52</p> <p>$P(\text{wrong conclusion}) = 0.0643$</p>	<p>B1</p> <p>B1</p> <p>M1</p> <p>m1A1</p> <p>A1</p> <p>A1</p> <p>B1</p> <p>M1</p> <p>m1A1</p> <p>A1</p> <p>A1</p>	<p>Must be μ</p> <p>Award m1A0A1A1 for incorrect or no continuity correction</p> <p style="padding-left: 40px;">$57.5 \rightarrow z = -1.71 \rightarrow p = 0.0436$</p> <p style="padding-left: 40px;">$58 \rightarrow z = -1.65 \rightarrow p = 0.0495$</p> <p>Award m1A0A1A1 for incorrect or no continuity correction</p> <p style="padding-left: 40px;">$59.5 \rightarrow z = 1.66 \rightarrow p = 0.0485$</p> <p style="padding-left: 40px;">$59 \rightarrow z = 1.59 \rightarrow p = 0.0559$</p>

<p>6(a)(i)</p>	$E(C) = 2\pi E(R)$ $= 2\pi \times 7 = 14\pi \quad (43.98)$ $\text{Var}(C) = 4\pi^2 \text{Var}(R)$ $= \frac{4\pi^2}{3} \quad (13.16)$	<p>M1 A1 M1</p>	<p>Accept the use of integration, M1 for a correct integral and A1 for the correct answer</p>
<p>(ii)</p>	$P(C \leq 45) = P(R \leq 45/2\pi)$ $= \frac{(45/2\pi - 6)}{8 - 6}$ $= 0.581$	<p>M1 A1 A1</p>	
<p>(b)(i)</p>	$A = \pi R^2$ $P(A \geq 150) = P\left(R \geq \sqrt{150/\pi}\right)$ $= \frac{8 - \sqrt{150/\pi}}{8 - 6}$ $= 0.545$	<p>M1A1 A1</p>	
<p>(ii)</p>	<p>EITHER</p> $E(A) = \int_6^8 \pi r^2 \times \frac{1}{2} dr$ $= \frac{\pi}{6} [r^3]_6^8$ $= \frac{148\pi}{3} \quad (155)$ <p>OR</p> $E(A) = \pi E(R^2) = \pi(\text{var}(R) + (E(R))^2)$ $= \pi\left(\frac{1}{3} + 7^2\right)$ $= \frac{148\pi}{3} \quad (155)$	<p>A1 M1 A1 A1</p>	

S3

Ques	Solution	Mark	Notes								
1	$\hat{p} = 0.29 \text{ si}$ $\text{ESE} = \sqrt{\frac{0.29 \times 0.71}{300}} (= 0.02619..) \text{ si}$ <p>95% confidence limits are $0.29 \pm 1.96 \times 0.02619..$ giving [0.24, 0.34]</p>	B1 M1A1 m1A1 A1	m1 correct form, A1 1.96								
2	<p>The possibilities are <u>3 red, 1 blue for which $X - Y = 2$</u> Therefore,</p> $P(X - Y = 2) = \frac{3}{10} \times \frac{2}{9} \times \frac{1}{8} \times \frac{7}{7} \times 4 \text{ OR } \frac{\binom{3}{3} \times \binom{7}{1}}{\binom{10}{4}}$ $= \frac{1}{30}$ <p><u>2 red, 2 blue for which $X - Y = 0$</u></p> $P(X - Y = 0) = \frac{3}{10} \times \frac{2}{9} \times \frac{7}{8} \times \frac{6}{7} \times 6 \text{ OR } \frac{\binom{3}{2} \times \binom{7}{2}}{\binom{10}{4}}$ $= \frac{3}{10}$ <p><u>1 red, 3 blue for which $X - Y = 2$</u></p> $P(X - Y = -2) = \frac{3}{10} \times \frac{7}{9} \times \frac{6}{8} \times \frac{5}{7} \times 4 \text{ OR } \frac{\binom{3}{1} \times \binom{7}{3}}{\binom{10}{4}}$ $= \frac{1}{2}$ <p><u>0 red, 4 blue for which $X - Y = 4$</u></p> $P(X - Y = -4) = \frac{7}{10} \times \frac{6}{9} \times \frac{5}{8} \times \frac{4}{7} \text{ OR } \frac{\binom{7}{4}}{\binom{10}{4}} = \frac{1}{6}$ <p>The distribution of $X - Y$ is therefore</p> <table border="1" style="margin-left: auto; margin-right: auto;"> <tr> <td>$X - Y$</td> <td>0</td> <td>2</td> <td>4</td> </tr> <tr> <td>Prob</td> <td>3/10</td> <td>8/15</td> <td>1/6</td> </tr> </table>	$ X - Y $	0	2	4	Prob	3/10	8/15	1/6	M1A1 A1 B1 B1 B1 M1A1	FT if found as 1 - Σ probs FT their probabilities
$ X - Y $	0	2	4								
Prob	3/10	8/15	1/6								

<p>3(a)</p> <p>UE of $\mu = 34.3$ $\Sigma x^2 = 10609.43$</p> $\text{UE of } \sigma^2 = \frac{10609.43}{8} - \frac{9 \times 34.3^2}{8}$ $= 2.6275$ <p>(b) DF = 8 si t-value = 1.86 90% confidence limits are</p> $34.3 \pm 1.86 \sqrt{\frac{2.6275}{9}}$ <p>giving [33.3,35.3] cao</p> <p>(c) EITHER</p> <p>Width of interval = $2t \sqrt{\frac{2.6275}{9}} = 3.2$ So $t = 2.96$ For a 99% confidence interval, $t = 3.355$ Since $2.96 < 3.355$, the confidence level is less than 99% OR For 99% confidence interval, $t = 3.355$ 99% confidence limits are</p> $34.3 \pm 3.355 \sqrt{\frac{2.6275}{9}}$ <p>giving [32.5,36.1] The given confidence interval is narrower than this therefore its confidence level is less than 99%</p>	<p>B1 B1</p> <p>M1 A1</p> <p>B1 B1</p> <p>M1A1</p> <p>A1</p> <p>M1 A1 B1 A1</p> <p>B1</p> <p>M1 A1</p> <p>A1</p>	<p>No working need be seen</p> <p>M0 division by 9 Answer only no marks</p> <p>Answer only no marks</p>
<p>4(a)</p> <p>The 5% critical value = $2000 + 1.645 \times \sqrt{\frac{2554}{120}}$ = 2007.6</p> <p>The 10% critical value = $2000 + 1.282 \times \sqrt{\frac{2554}{120}}$ = 2005.9</p> <p>The required range is therefore (2005.9,2007.6)</p> <p>(b) No because of the Central Limit Theorem AND THEN EITHER which ensures the normality of the sample mean OR which can be used because the sample is large</p>	<p>M1 A1</p> <p>M1 A1</p> <p>A1 B1</p> <p>B1</p>	<p>M1A0 for –</p> <p>M1A0 for –</p>

<p>5(a) (b)</p>	$H_0 : \mu_A = \mu_B; H_1 : \mu_A \neq \mu_B$ $\bar{x} = 55.25; \bar{y} = 55.75 \quad \text{si}$ $s_x^2 = \frac{183345}{59} - \frac{3315^2}{59 \times 60} = 3.2415\dots$ $s_y^2 = \frac{186651}{59} - \frac{3345^2}{59 \times 60} = 2.8347\dots$ <p>[Accept division by 60 giving 3.1875 and 2.7875]</p> $\text{SE} = \sqrt{\frac{3.2415\dots}{60} + \frac{2.8347\dots}{60}}$ $= (0.3182\dots, 0.3155\dots) \quad \text{si}$ $\text{Test stat} = \frac{55.75 - 55.25}{0.3182\dots}$ $= 1.57 \quad (1.58)$ $p\text{-value} = 0.116 \quad (0.114) \quad \text{cao}$ <p>Insufficient evidence for believing that the mean weights are unequal.</p>	<p>B1 B1</p> <p>M1A1</p> <p>A1</p> <p>M1</p> <p>A1</p> <p>m1 A1 A1</p> <p>B1</p>	<p>FT 1 error in the means</p> <p>Answer only no marks</p> <p>FT their p-value</p>
<p>6(a) (b)</p>	$\sum x = 175, \sum x^2 = 5075, \sum y = 118.1, \sum xy = 3170$ $S_{xy} = 3170 - 175 \times 118.1 / 7 = 217.5$ $S_{xx} = 5075 - 175^2 / 7 = 700$ $b = \frac{217.5}{700} = 0.311$ $a = \frac{118.1 - 175 \times 0.311\dots}{7} = 9.10$ $\text{SE of } a = \sqrt{\frac{0.1^2 \times 5075}{7 \times 700}} \quad (0.1017\dots)$ <p>95% confidence limits for a are $9.10 \pm 1.96 \times 0.1017\dots$ giving [8.9, 9.3]</p>	<p>B2 B1</p> <p>B1 M1 A1 M1 A1</p> <p>M1A1</p> <p>m1A1 A1</p>	<p>Minus 1 each error FT 1 error in sums</p> <p>FT their value of a</p> <p>M1 correct form, A1 1.96</p>

<p>7(a)</p>	$E(\hat{p}) = \frac{E(X)}{n} = \frac{np}{n} = p$ <p>Therefore unbiased.</p> $SE(\hat{p}) = \sqrt{\frac{\text{Var}(X)}{n^2}} = \sqrt{\frac{np(1-p)}{n^2}} = \sqrt{\frac{p(1-p)}{n}}$	<p>M1 A1</p>	<p>This line need not be seen</p>
<p>(b)(i)</p>	$E(\hat{p}^2) = \frac{E(X^2)}{n^2}$ $= \frac{\text{Var}(X) + [E(X)]^2}{n^2}$ $= \frac{np(1-p) + n^2 p^2}{n^2}$ $\left(= p^2 + \frac{p(1-p)}{n}\right)$	<p>M1 m1 A1</p>	<p>Accept q for $1-p$</p> <p>This line need not be seen</p>
<p>(ii)</p>	$E[X(X-1)] = E(X^2) - E(X)$ $= np(1-p) + n^2 p^2 - np$ $= n(n-1)p^2$ <p>It follows that</p> $\frac{X(X-1)}{n(n-1)}$	<p>A1 M1 A1 A1 A1</p>	
<p>(c)(i)</p>	<p>is an unbiased estimator for p^2.</p> <p>EITHER</p> <p>By reversing the interpretation of success and failure, it follows that</p> $\frac{(n-X)(n-X-1)}{n(n-1)}$ <p>is an unbiased estimator for q^2.</p>	<p>M1 A1</p>	
<p>(ii)</p>	<p>OR</p> $q^2 = (1-p)^2 = 1 - 2p + p^2$ <p>Therefore an unbiased estimator for q^2 is</p> $1 - \frac{2X}{n} + \frac{X(X-1)}{n(n-1)}$ <p>Since $pq = p(1-p) = p - p^2$</p> <p>It follows that an unbiased estimator for pq</p> $= \frac{X}{n} - \frac{X(X-1)}{n(n-1)}$ $= \frac{X(n-X)}{n(n-1)}$	<p>M1 A1 M1 A1 A1</p>	<p>This expression need not be simplified</p>



WJEC
245 Western Avenue
Cardiff CF5 2YX
Tel No 029 2026 5000
Fax 029 2057 5994
E-mail: exams@wjec.co.uk
website: www.wjec.co.uk