

Tuesday 16 June 2015 – Afternoon

A2 GCE MATHEMATICS (MEI)

4754/01A Applications of Advanced Mathematics (C4) Paper A

QUESTION PAPER

Candidates answer on the Printed Answer Book.

OCR supplied materials:

- Printed Answer Book 4754/01A
- MEI Examination Formulae and Tables (MF2)

Other materials required:

- Scientific or graphical calculator

Duration: 1 hour 30 minutes



INSTRUCTIONS TO CANDIDATES

These instructions are the same on the Printed Answer Book and the Question Paper.

- The Question Paper will be found inside the Printed Answer Book.
- Write your name, centre number and candidate number in the spaces provided on the Printed Answer Book. Please write clearly and in capital letters.
- **Write your answer to each question in the space provided in the Printed Answer Book.** Additional paper may be used if necessary but you must clearly show your candidate number, centre number and question number(s).
- Use black ink. HB pencil may be used for graphs and diagrams only.
- Read each question carefully. Make sure you know what you have to do before starting your answer.
- Answer **all** the questions.
- Do **not** write in the bar codes.
- You are permitted to use a scientific or graphical calculator in this paper.
- Final answers should be given to a degree of accuracy appropriate to the context.

INFORMATION FOR CANDIDATES

This information is the same on the Printed Answer Book and the Question Paper.

- The number of marks is given in brackets [] at the end of each question or part question on the Question Paper.
- You are advised that an answer may receive **no marks** unless you show sufficient detail of the working to indicate that a correct method is being used.
- The total number of marks for this paper is **72**.
- The Printed Answer Book consists of **16** pages. The Question Paper consists of **4** pages. Any blank pages are indicated.
- This paper will be followed by **Paper B: Comprehension**.

INSTRUCTION TO EXAMS OFFICER/INVIGILATOR

- Do not send this Question Paper for marking; it should be retained in the centre or recycled. Please contact OCR Copyright should you wish to re-use this document.

Section A (36 marks)

1 Solve the equation $\frac{5x}{2x+1} - \frac{3}{x+1} = 1$. [5]

2 Express $6 \cos 2\theta + \sin \theta$ in terms of $\sin \theta$.

Hence solve the equation $6 \cos 2\theta + \sin \theta = 0$, for $0^\circ \leq \theta \leq 360^\circ$. [7]

3 (i) Find the first three terms of the binomial expansion of $\frac{1}{\sqrt[3]{1-2x}}$. State the set of values of x for which the expansion is valid. [5]

(ii) Hence find a and b such that $\frac{1-3x}{\sqrt[3]{1-2x}} = 1 + ax + bx^2 + \dots$. [3]

4 You are given that $f(x) = \cos x + \lambda \sin x$ where λ is a positive constant.

(i) Express $f(x)$ in the form $R \cos(x - \alpha)$, where $R > 0$ and $0 < \alpha < \frac{1}{2}\pi$, giving R and α in terms of λ . [4]

(ii) Given that the maximum value (as x varies) of $f(x)$ is 2, find R , λ and α , giving your answers in exact form. [4]

5 A curve has parametric equations $x = \sec \theta$, $y = 2 \tan \theta$.

(i) Given that the derivative of $\sec \theta$ is $\sec \theta \tan \theta$, show that $\frac{dy}{dx} = 2 \operatorname{cosec} \theta$. [3]

(ii) Verify that the cartesian equation of the curve is $y^2 = 4x^2 - 4$. [2]

Fig. 5 shows the region enclosed by the curve and the line $x = 2$. This region is rotated through 180° about the x -axis.

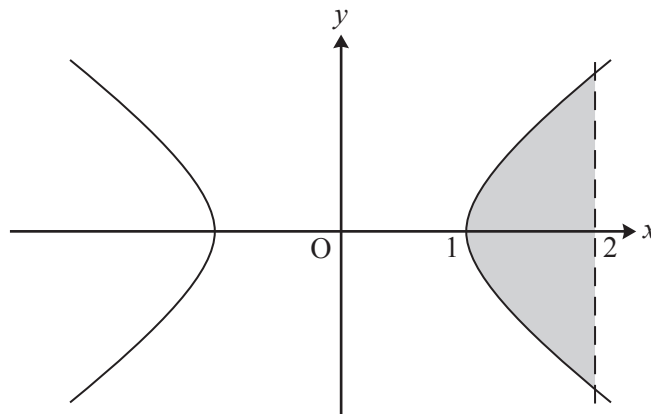


Fig. 5

(iii) Find the volume of revolution produced, giving your answer in exact form. [3]

Section B (36 marks)

- 6 Fig. 6 shows a lean-to greenhouse ABCDHEFG. With respect to coordinate axes $Oxyz$, the coordinates of the vertices are as shown. All distances are in metres. Ground level is the plane $z = 0$.

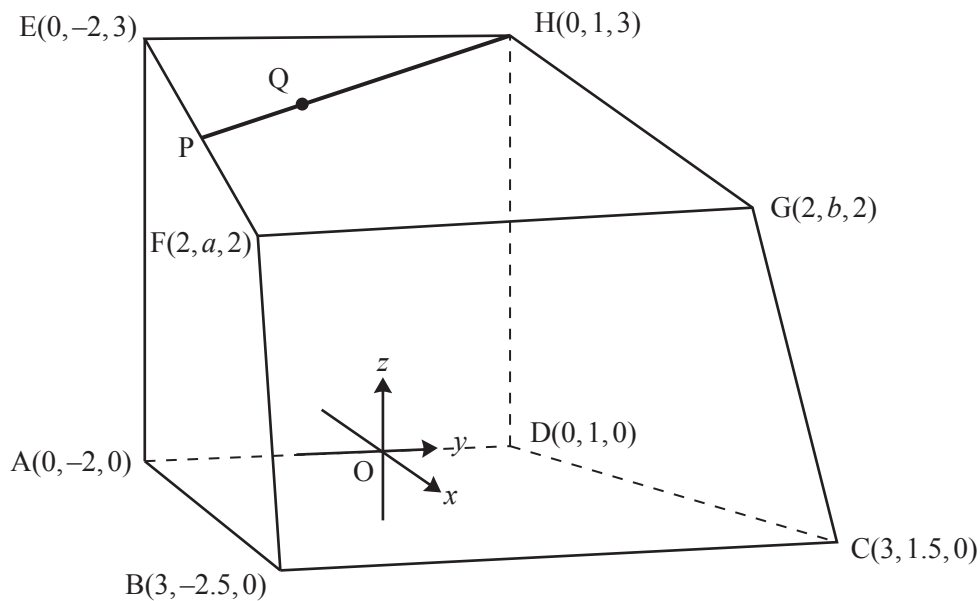


Fig. 6

- (i) Verify that the equation of the plane through A, B and E is $x + 6y + 12z = 0$.

Hence, given that F lies in this plane, show that $a = -2\frac{1}{3}$. [4]

- (ii) (A) Show that the vector $\begin{pmatrix} 1 \\ -6 \\ 0 \end{pmatrix}$ is normal to the plane DHC. [2]

(B) Hence find the cartesian equation of this plane. [2]

(C) Given that G lies in the plane DHC, find b and the length FG. [2]

- (iii) Find the angle EFB. [5]

A straight wire joins point H to a point P which is half way between E and F. Q is a point two-thirds of the way along this wire, so that $HQ = 2QP$.

- (iv) Find the height of Q above the ground. [3]

Question 7 begins on page 4.

- 7 A drug is administered by an intravenous drip. The concentration, x , of the drug in the blood is measured as a fraction of its maximum level. The drug concentration after t hours is modelled by the differential equation

$$\frac{dx}{dt} = k(1 + x - 2x^2),$$

where $0 \leq x < 1$, and k is a positive constant. Initially, $x = 0$.

(i) Express $\frac{1}{(1+2x)(1-x)}$ in partial fractions. [3]

(ii) Hence solve the differential equation to show that $\frac{1+2x}{1-x} = e^{3kt}$. [7]

(iii) After 1 hour the drug concentration reaches 75% of its maximum value and so $x = 0.75$.

Find the value of k , and the time taken for the drug concentration to reach 90% of its maximum value. [3]

(iv) Rearrange the equation in part (ii) to show that $x = \frac{1 - e^{-3kt}}{1 + 2e^{-3kt}}$.

Verify that in the long term the drug concentration approaches its maximum value. [5]

END OF QUESTION PAPER

Copyright Information

OCR is committed to seeking permission to reproduce all third-party content that it uses in its assessment materials. OCR has attempted to identify and contact all copyright holders whose work is used in this paper. To avoid the issue of disclosure of answer-related information to candidates, all copyright acknowledgements are reproduced in the OCR Copyright Acknowledgements Booklet. This is produced for each series of examinations and is freely available to download from our public website (www.ocr.org.uk) after the live examination series.

If OCR has unwittingly failed to correctly acknowledge or clear any third-party content in this assessment material, OCR will be happy to correct its mistake at the earliest possible opportunity.

For queries or further information please contact the Copyright Team, First Floor, 9 Hills Road, Cambridge CB2 1GE.

OCR is part of the Cambridge Assessment Group; Cambridge Assessment is the brand name of University of Cambridge Local Examinations Syndicate (UCLES), which is itself a department of the University of Cambridge.