

1.

Lined writing area for response 1.



4.

Basic variable	x	y	z	r	s	Value
r	2	0	4	1	0	80
s	1	4	2	0	1	160
P	-2	-8	-20	0	0	0

You may not need to use all of these tableaux

Basic variable	x	y	z	r	s	Value	Row operations

Basic variable	x	y	z	r	s	Value	Row operations

Basic variable	x	y	z	r	s	Value	Row operations

.....

.....

.....

.....

.....

.....

.....

.....

.....

.....

(Total 7 marks)

Q4



5.

Handwriting practice area with horizontal lines.

(Total 7 marks)

Q5



6.

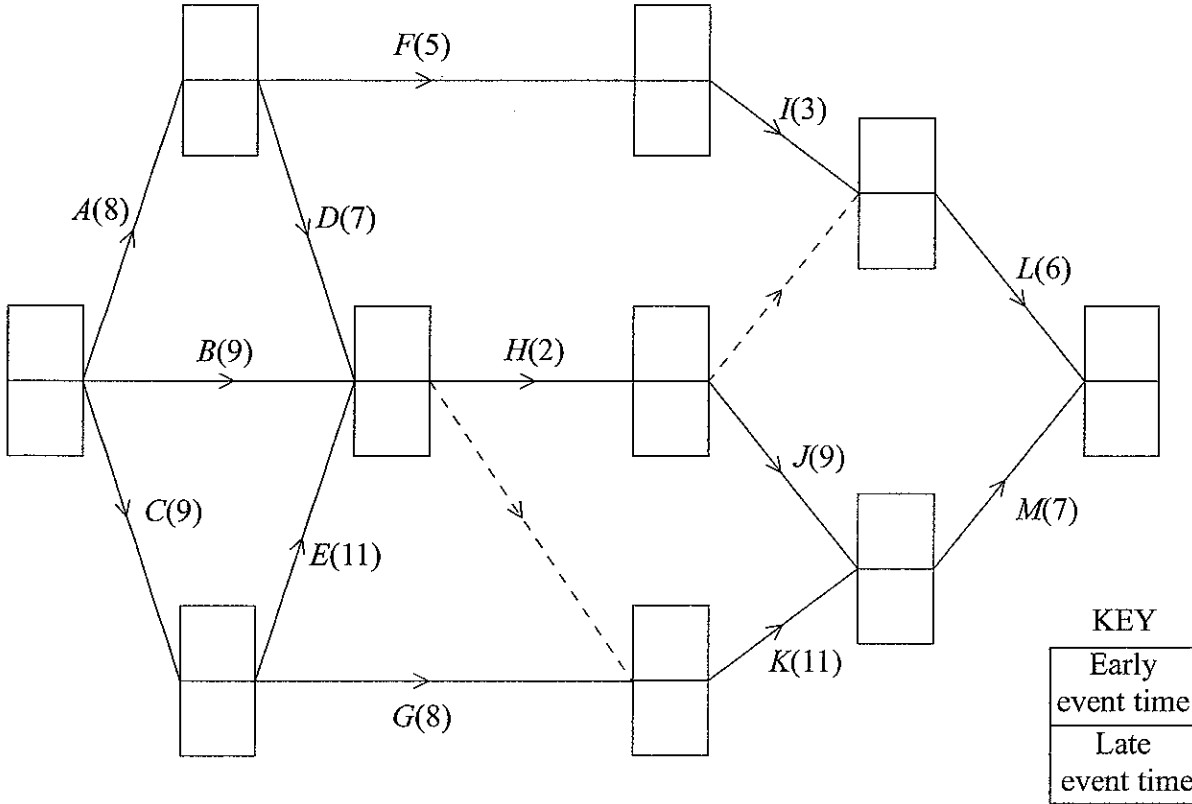
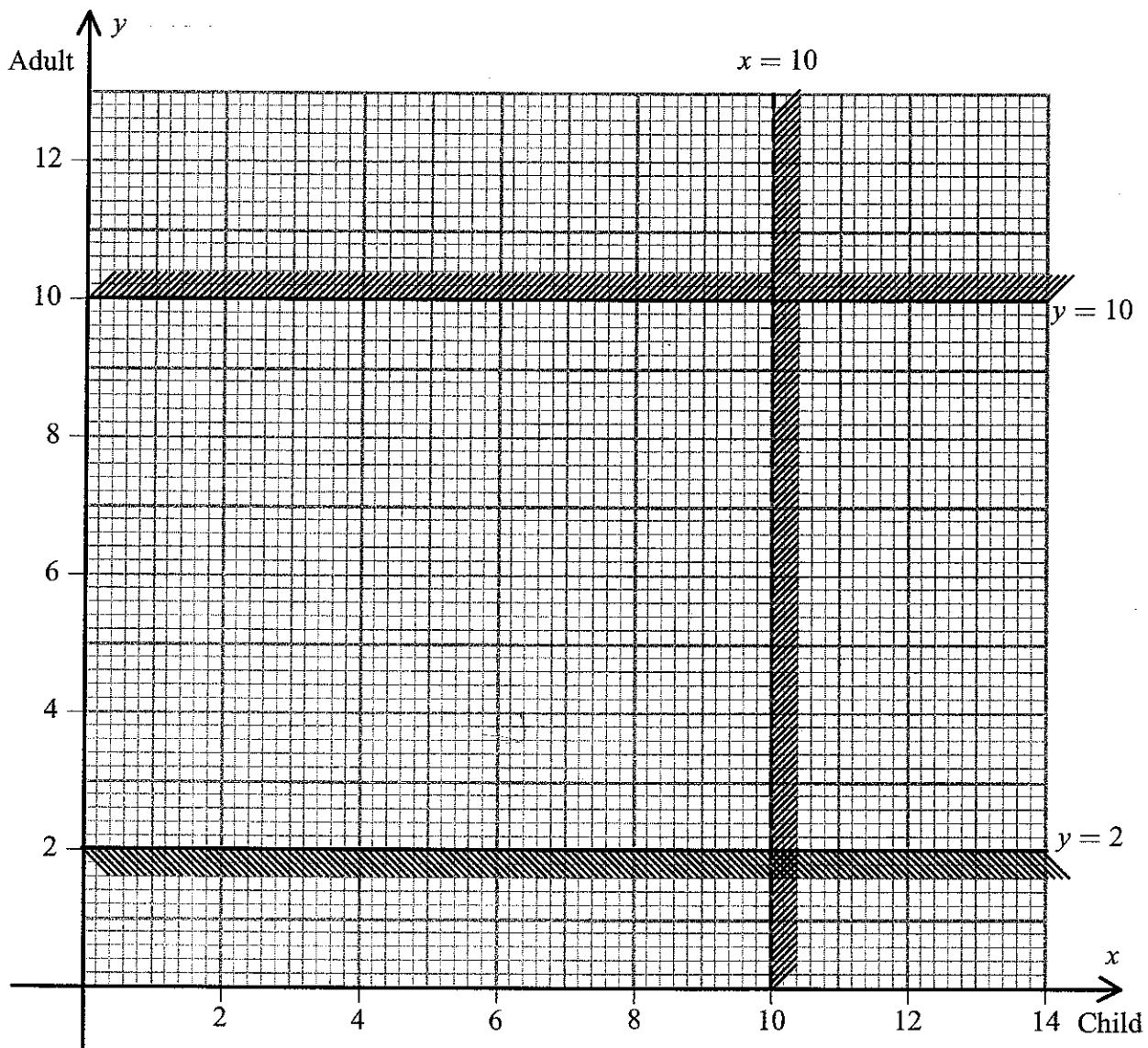


Diagram 1



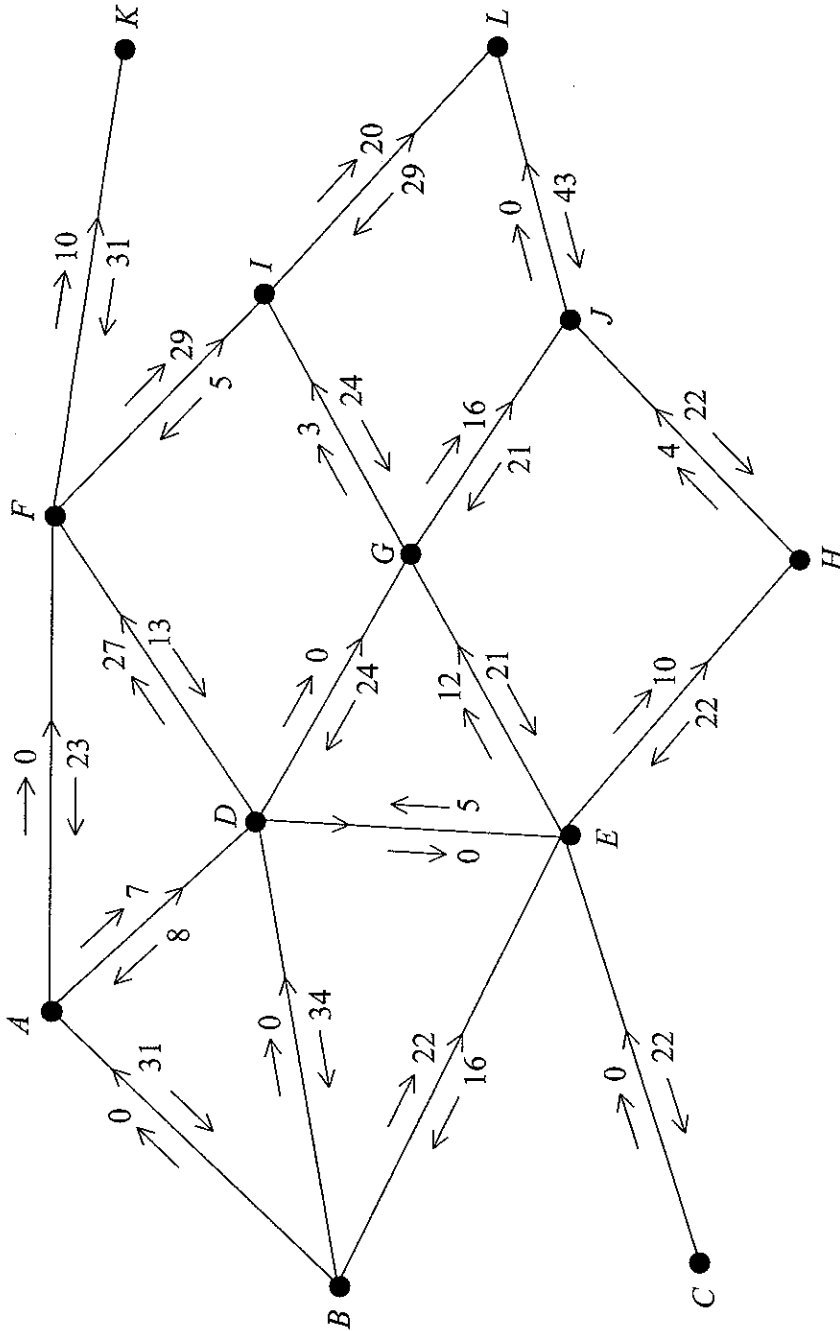
(Total 14 marks)

Q7

--	--



Diagram 2



8.

Value of initial flow _____



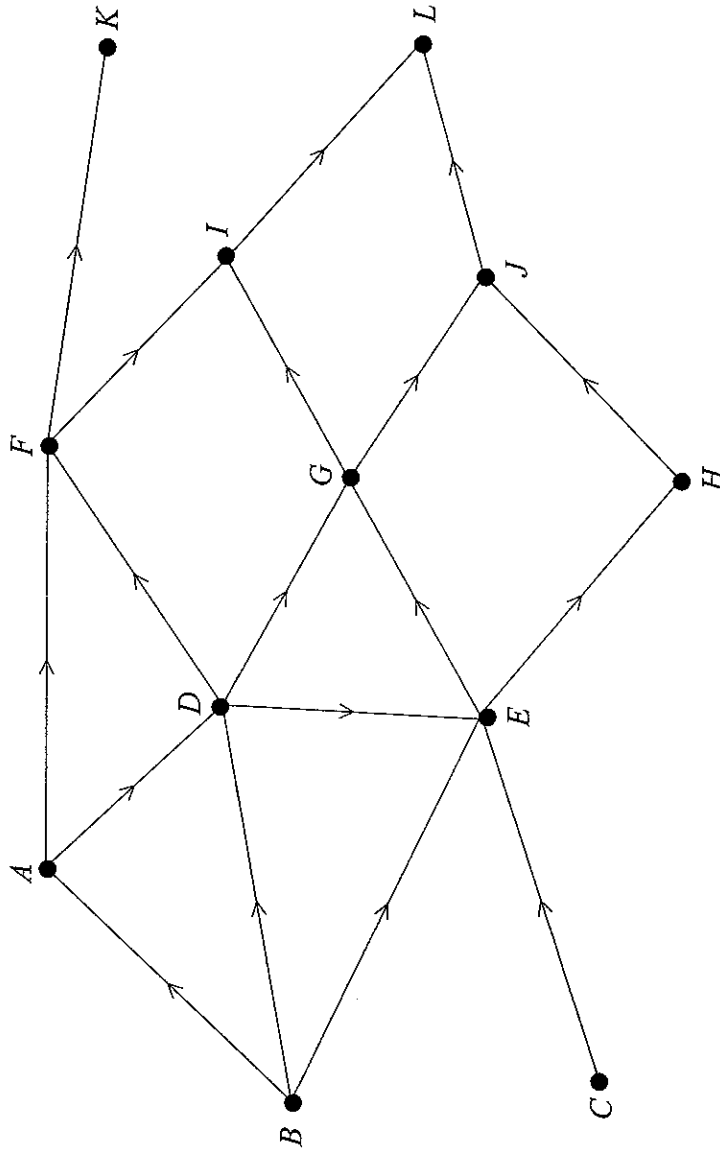


Diagram 3

Value of flow _____



BLANK PAGE



BLANK PAGE



BLANK PAGE

