

UNIVERSITY OF CAMBRIDGE INTERNATIONAL EXAMINATIONS
General Certificate of Education Advanced Level

GEOMETRICAL AND MECHANICAL DRAWING

9351/02

Paper 2

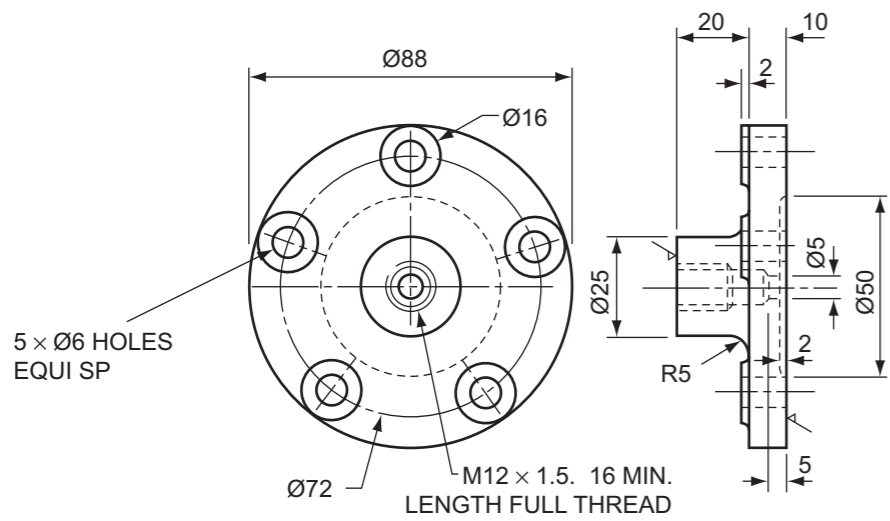
May/June 2006

INSERT

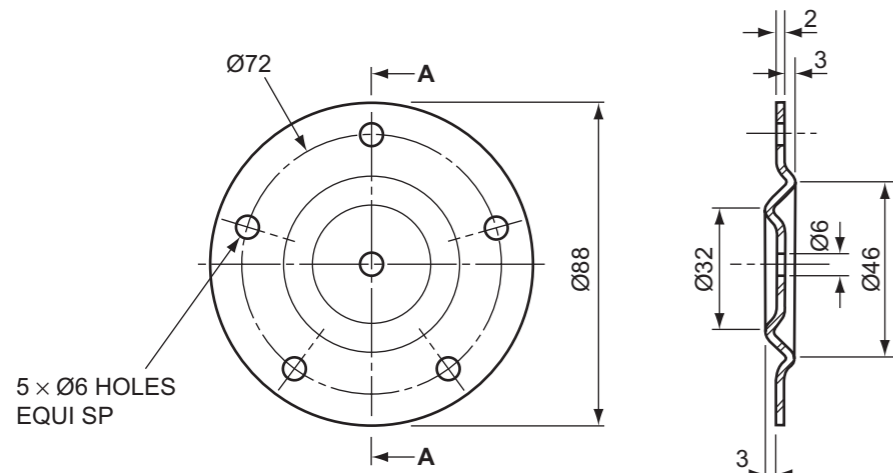
3 hours 10 minutes

This document consists of **3** printed pages and **1** blank page.



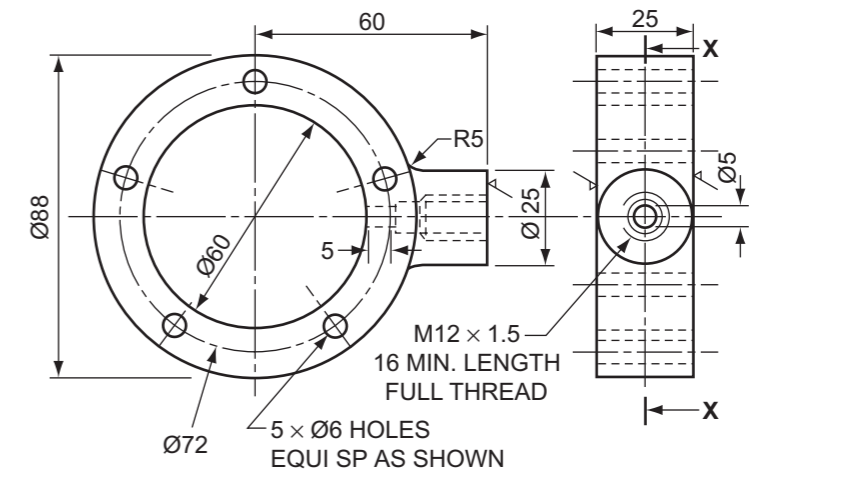
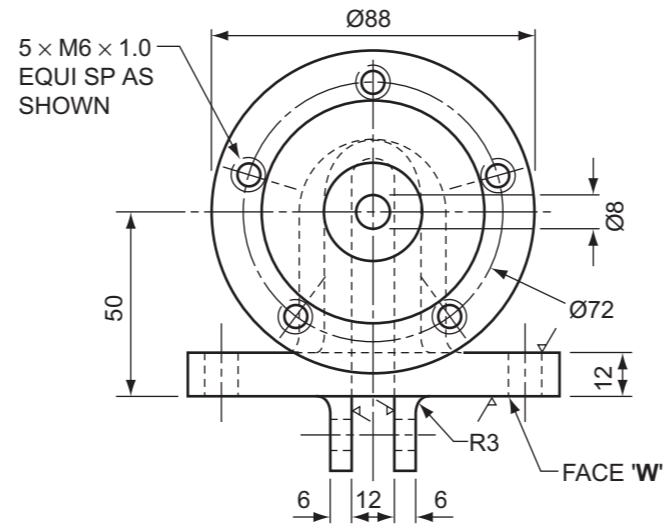


INLET FLANGE
(ZINC/ALUMINIUM ALLOY)



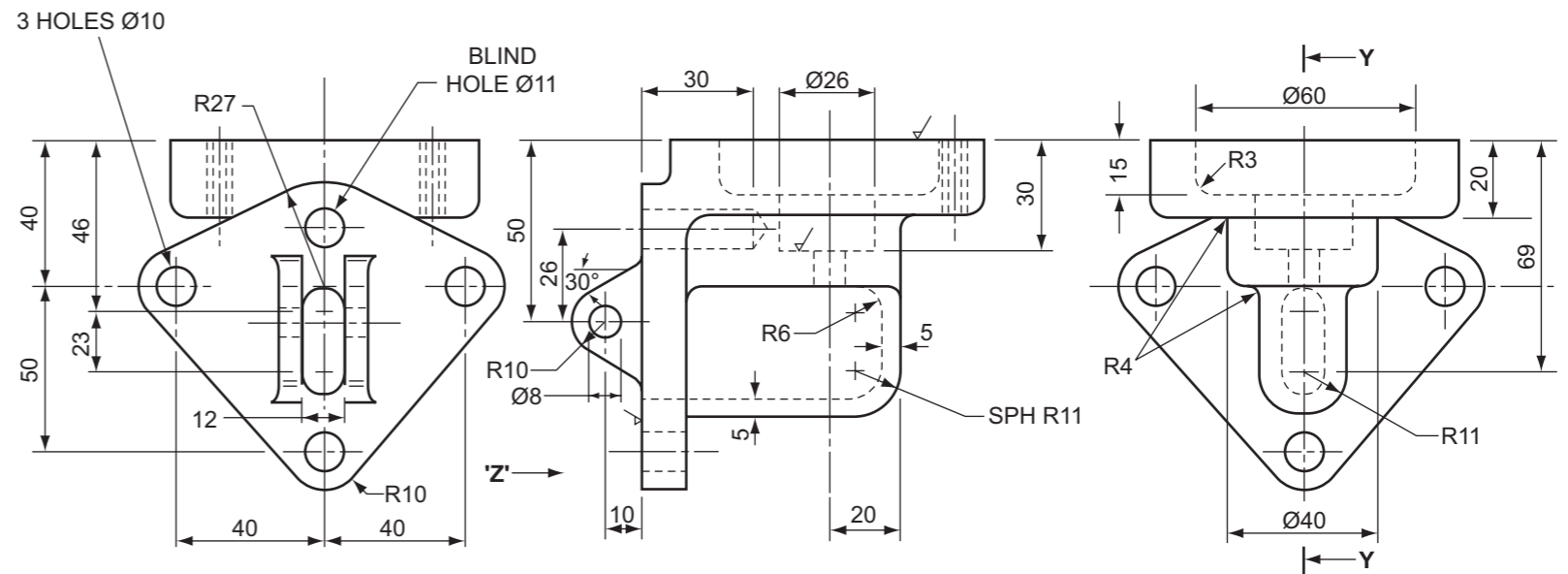
DIAPHRAGM
(SYNTHETIC RUBBER)

SECTION A-A

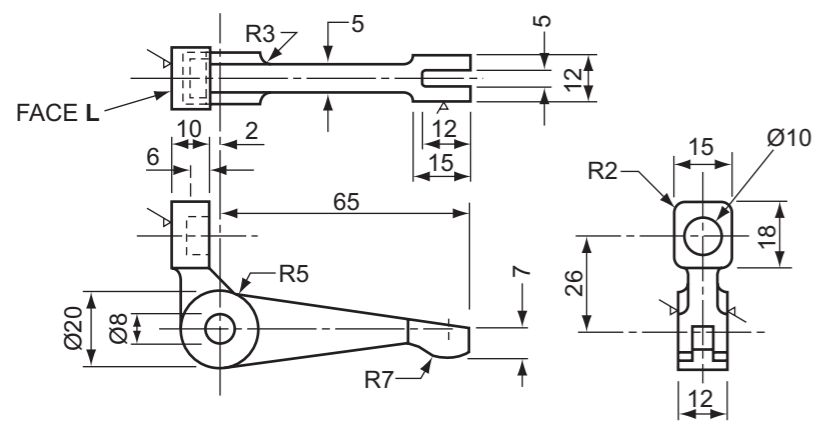


OUTLET CHAMBER (ZINC/ALUMINIUM ALLOY)

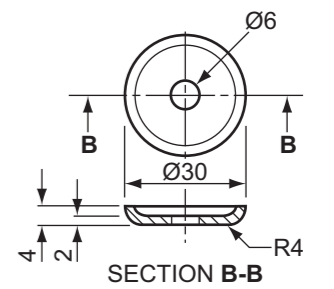
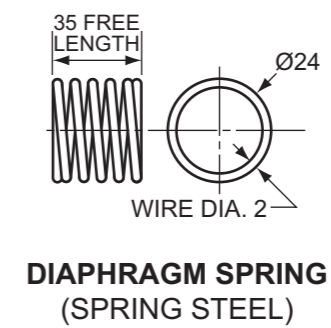
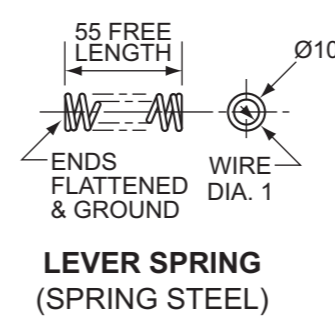
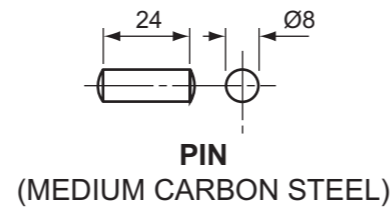
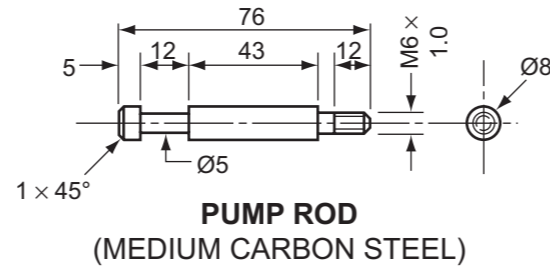
NOTE: NOT ALL HIDDEN DETAIL SHOWN



PUMP BODY (ZINC/ALUMINIUM ALLOY)



ACTUATING LEVER
(FORGED STEEL)



DIMENSIONS IN MILLIMETRES

BLANK PAGE

Permission to reproduce items where third-party owned material protected by copyright is included has been sought and cleared where possible. Every reasonable effort has been made by the publisher (UCLES) to trace copyright holders, but if any items requiring clearance have unwittingly been included, the publisher will be pleased to make amends at the earliest possible opportunity.

University of Cambridge International Examinations is part of the University of Cambridge Local Examinations Syndicate (UCLES), which is itself a department of the University of Cambridge.