

BLANK PAGE

CAMBRIDGE INTERNATIONAL EXAMINATIONS
General Certificate of Education Advanced Level

GEOMETRICAL AND MECHANICAL DRAWING 9351/02

Paper 2

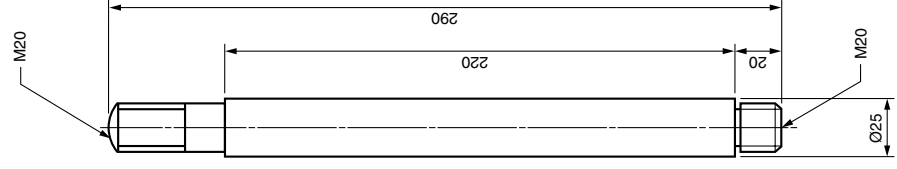
October/November 2003

INSERT

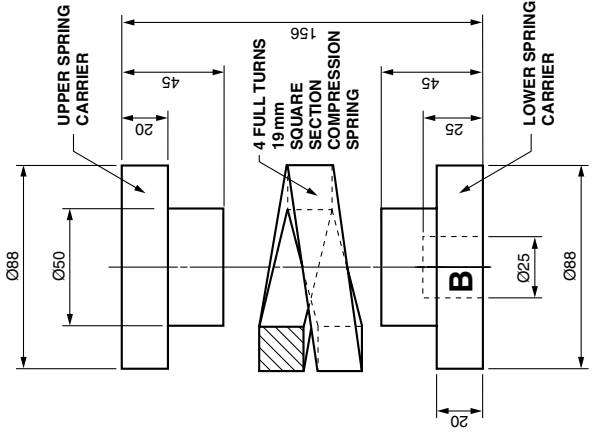
3 hours 10 minutes

This document consists of **3** printed pages and **1** blank page.

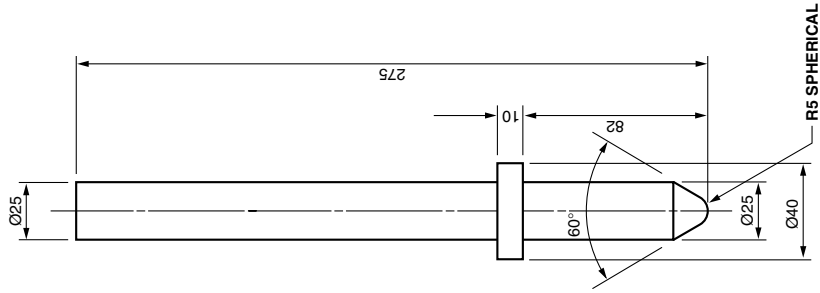
PILLAR (2 OFF)



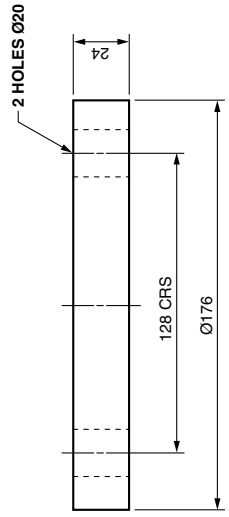
SPRING ASSEMBLY



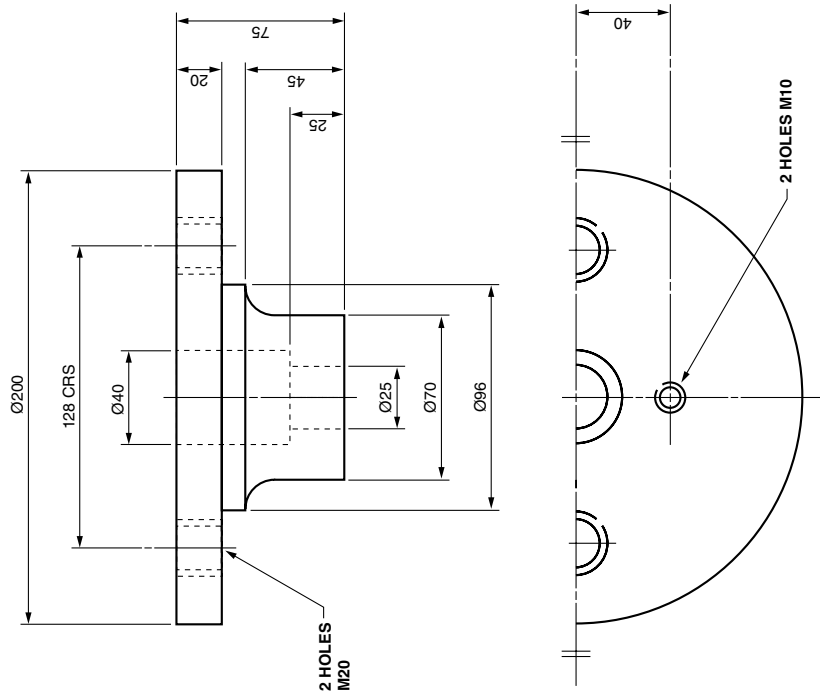
VALVE SPINDLE



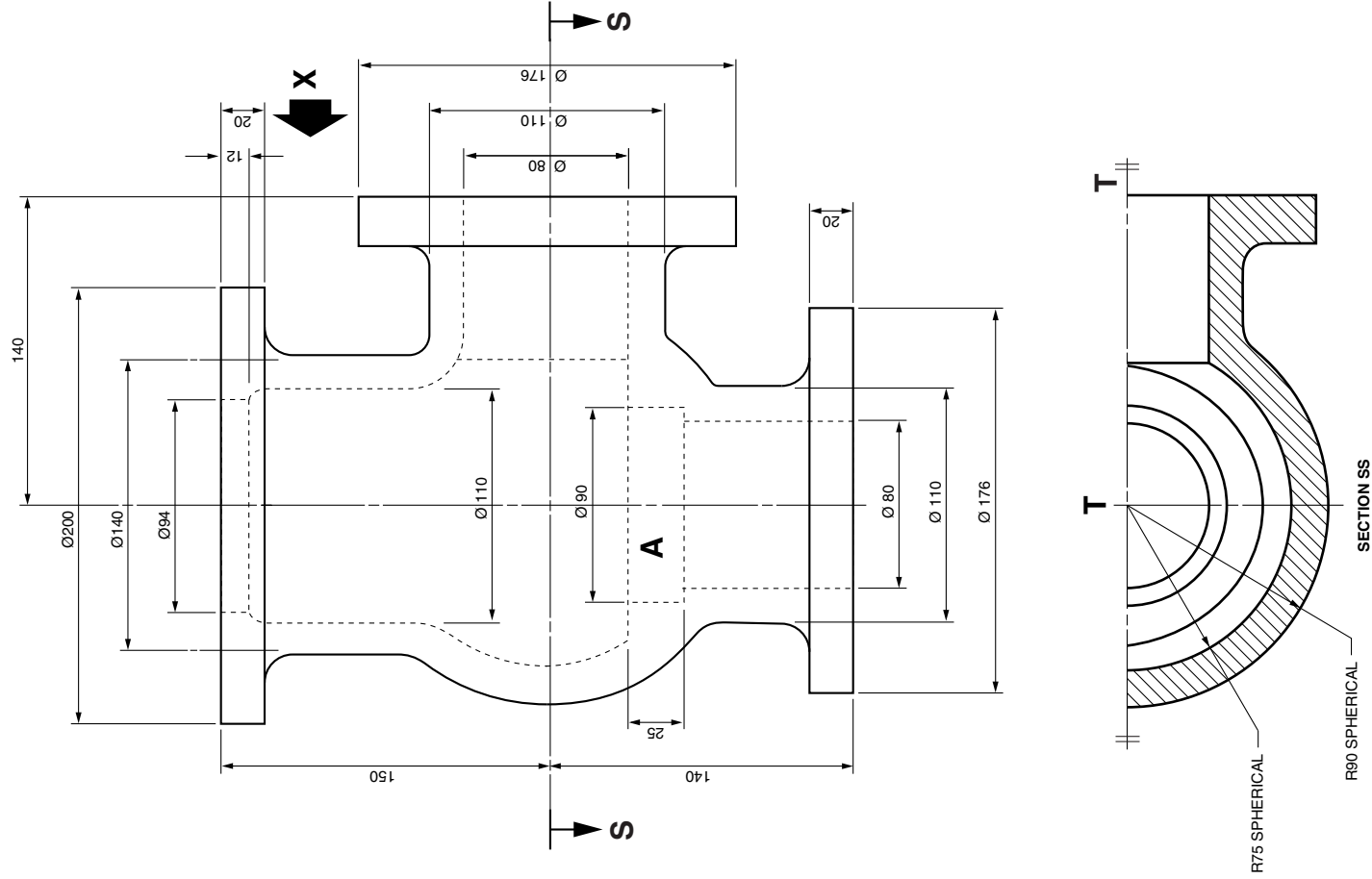
CROSS HEAD



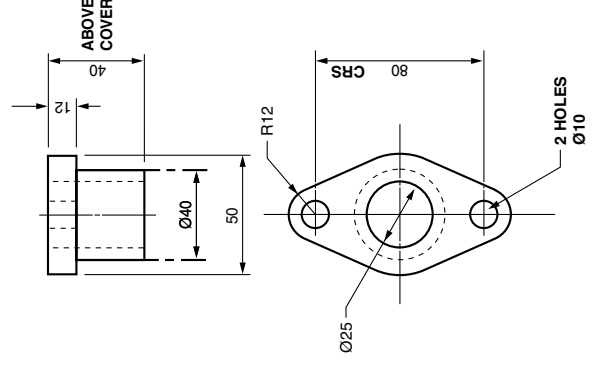
COVER PLATE



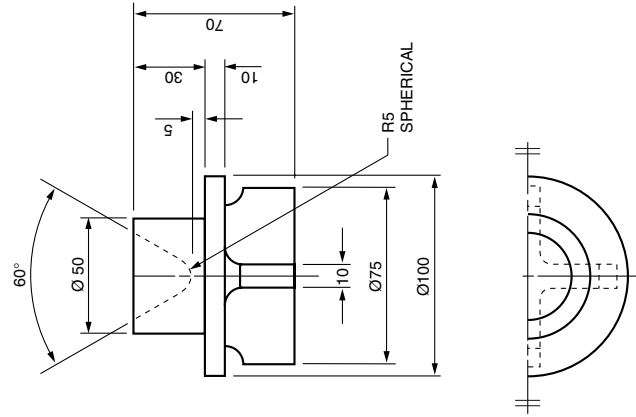
BODY



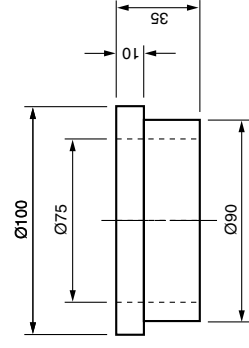
GLAND



VALVE

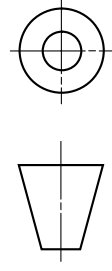


VALVE SEAT



RELIEF VALVE

ALL DIMENSIONS IN MILLIMETRES



9351/2

NOVEMBER 2003