

CAMBRIDGE INTERNATIONAL EXAMINATIONS
General Certificate of Education Advanced Level

GEOMETRICAL AND MECHANICAL DRAWING

9351/02

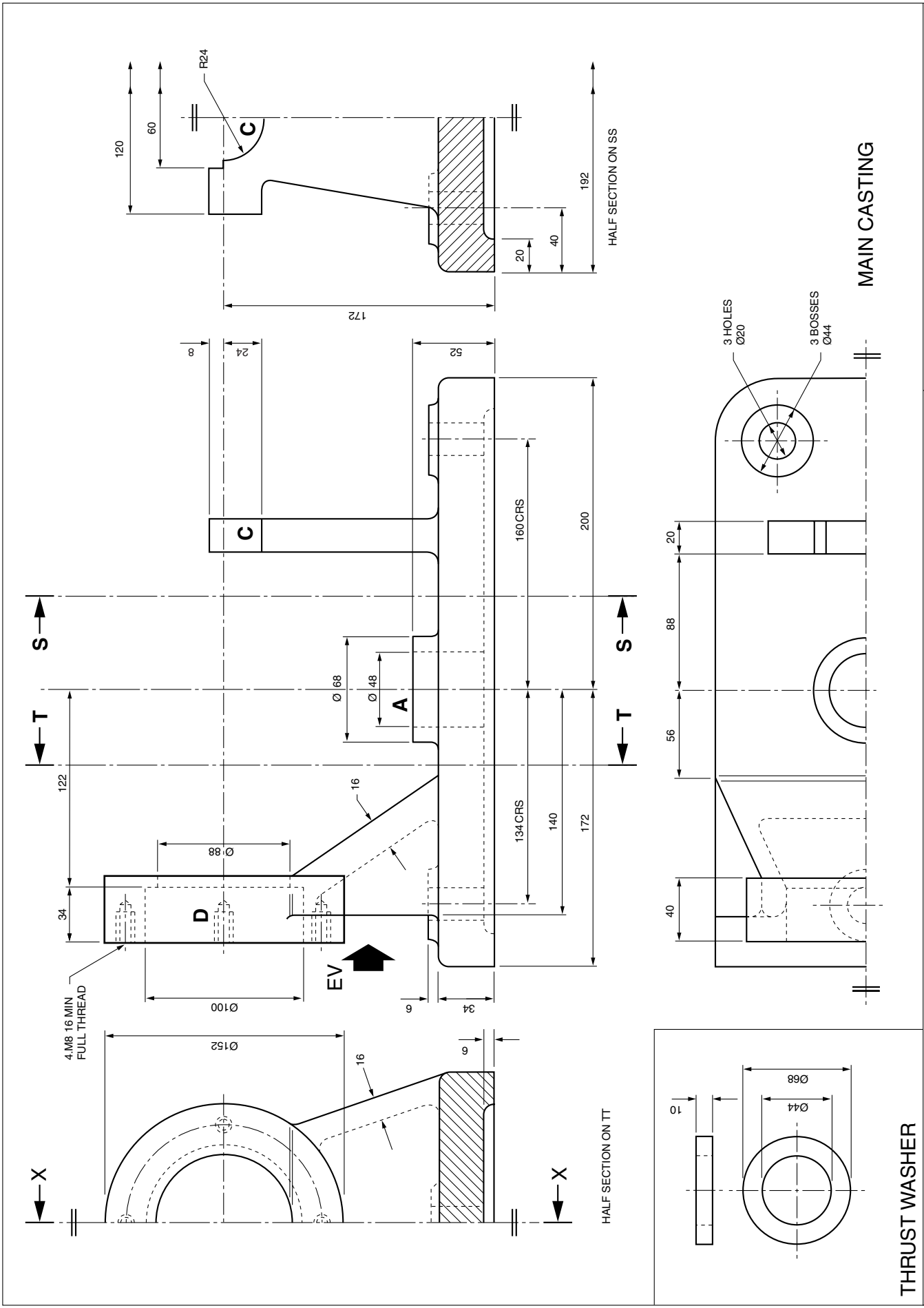
Paper 2

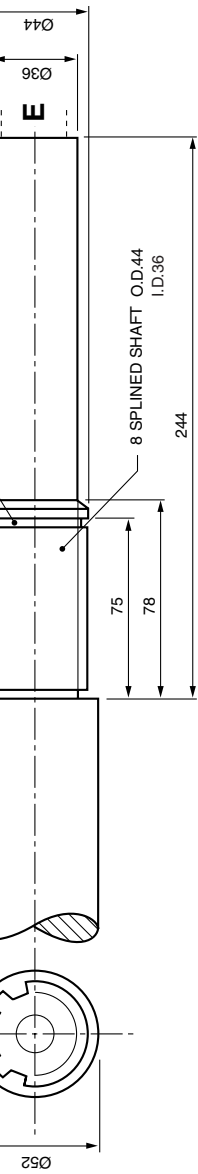
May/June 2003

INSERT

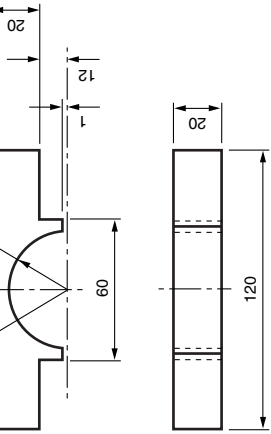
3 hours 10 minutes

This document consists of **3** printed pages and **1** blank page.

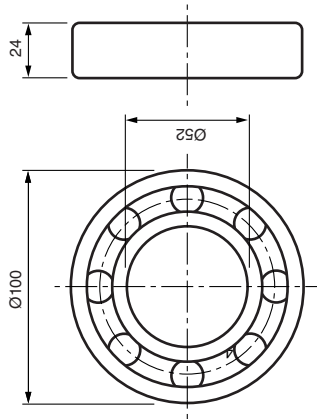




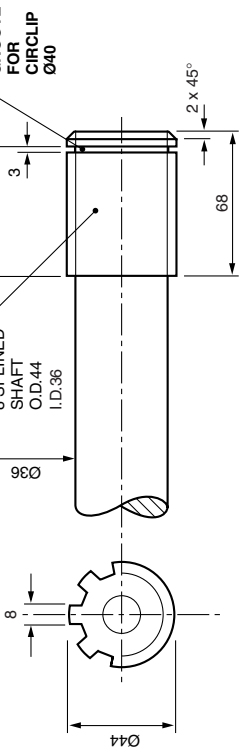
HORIZONTAL DIRECT DRIVE SHAFT



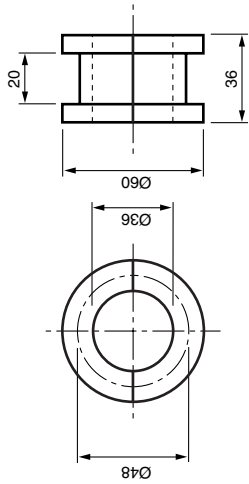
BEARING CAP



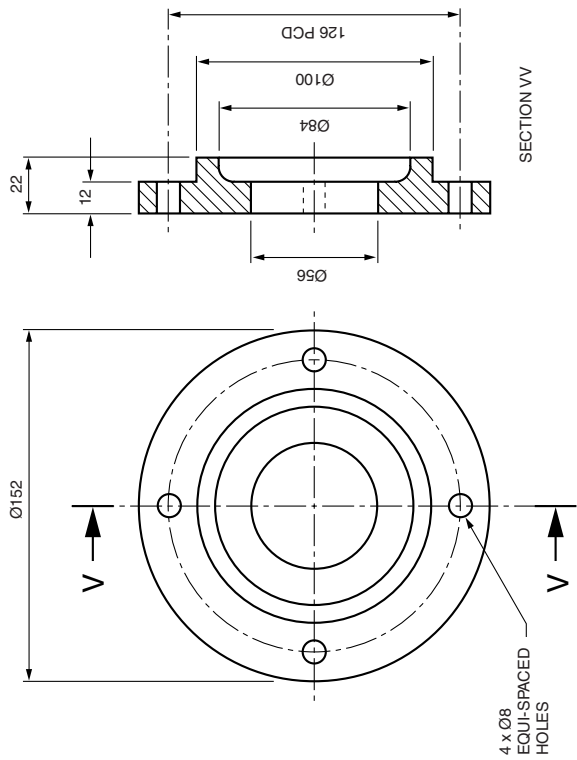
BALL BEARING



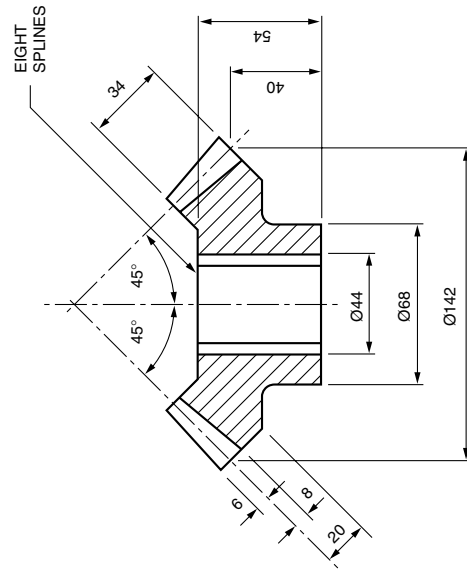
SPLINED VERTICAL SHAFT



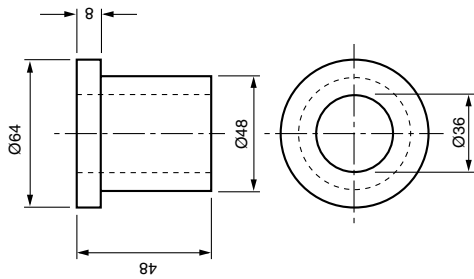
SPLIT BEARING



BEARING RETAINER



BEVEL GEAR (2 OFF)



BUSH

ALL DIMENSIONS IN MILLIMETRES

JUNE 2003

9351/2

