

CAMBRIDGE INTERNATIONAL EXAMINATIONS  
Joint Examination for the Higher School Certificate  
and General Certificate of Education Advanced Level

GEOMETRICAL AND MECHANICAL DRAWING **9351/2**

PAPER 2

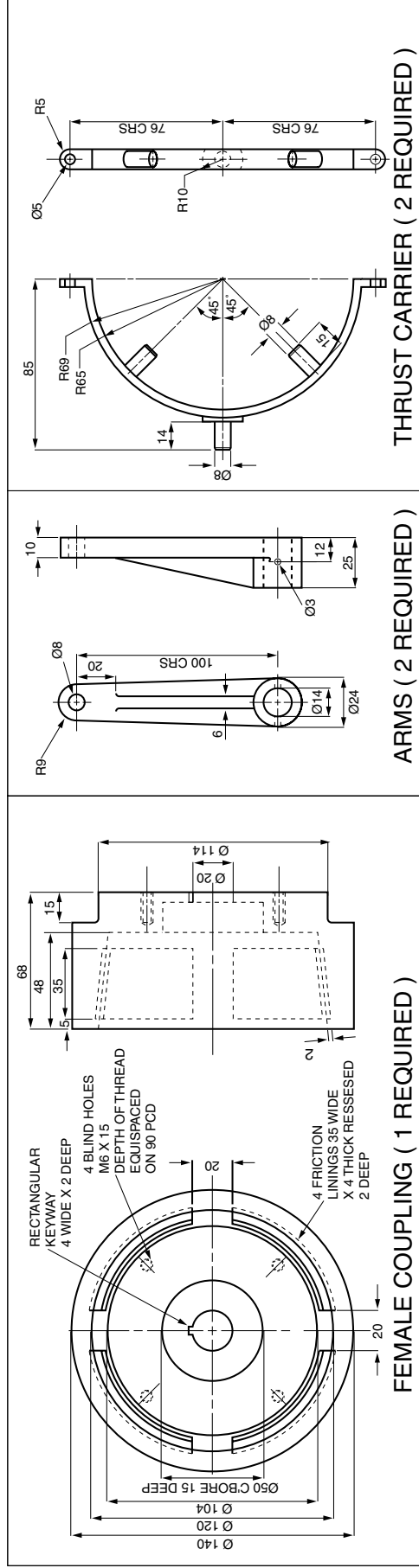
INSERT

OCTOBER/NOVEMBER SESSION 2002

3 hours 10 minutes

---

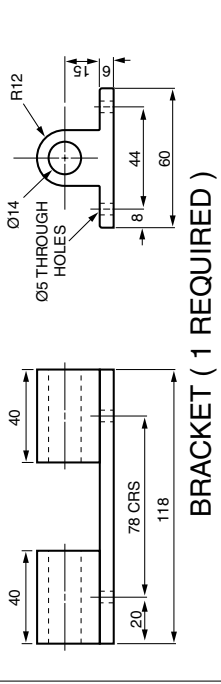
This insert consists of 3 printed pages and 1 blank page.



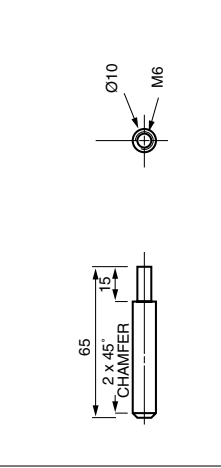
FEMALE COUPLING ( 1 REQUIRED )

ARMS ( 2 REQUIRED )

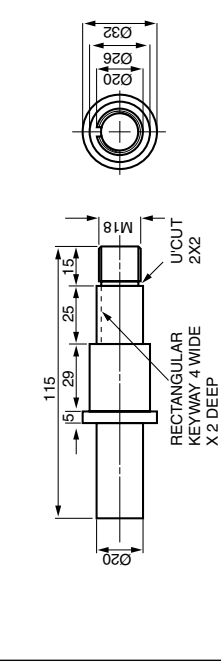
THRUST CARRIER ( 2 REQUIRED )



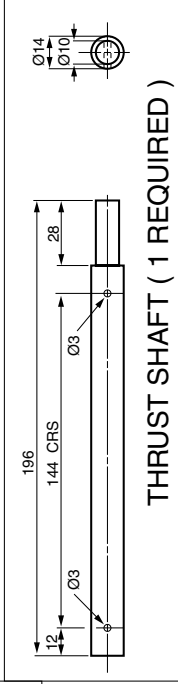
BRACKET ( 1 REQUIRED )



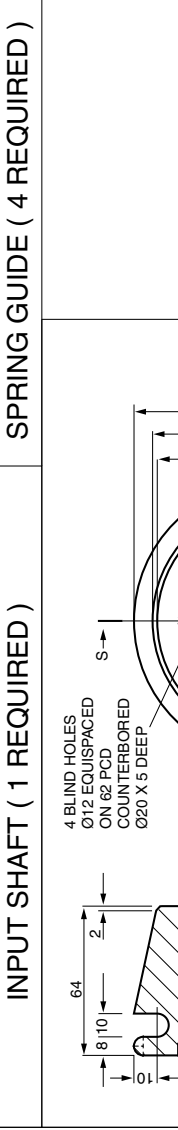
SPRING GUIDE ( 4 REQUIRED )



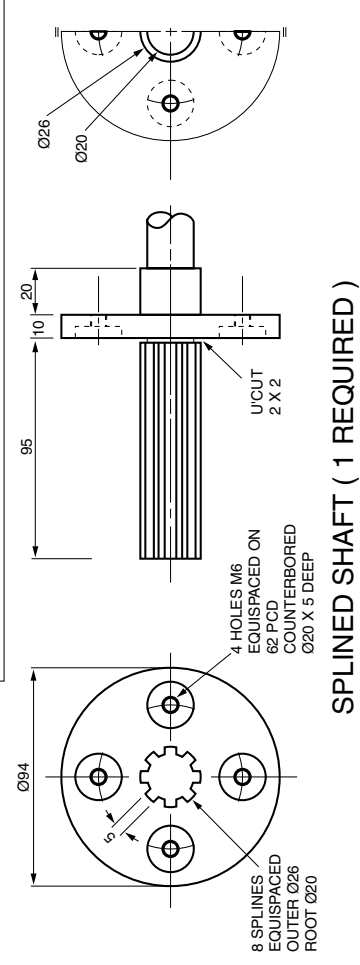
INPUT SHAFT ( 1 REQUIRED )



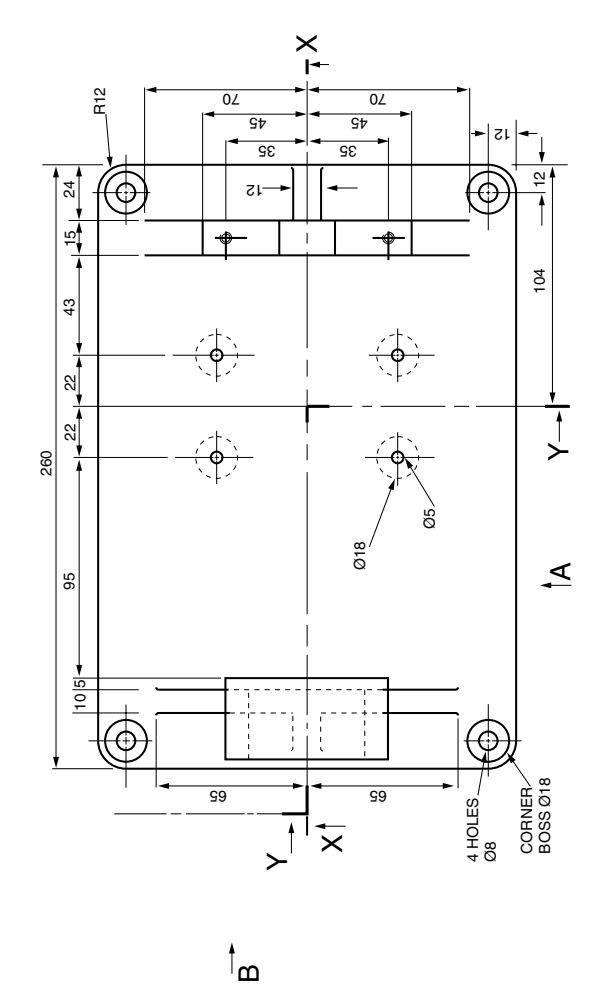
THRUST SHAFT ( 1 REQUIRED )



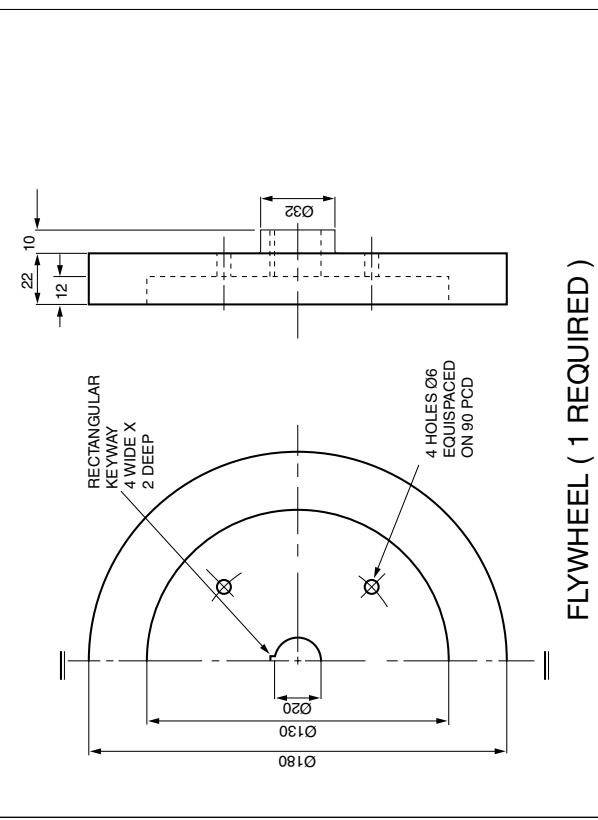
BOBBIN ( 1 REQUIRED )



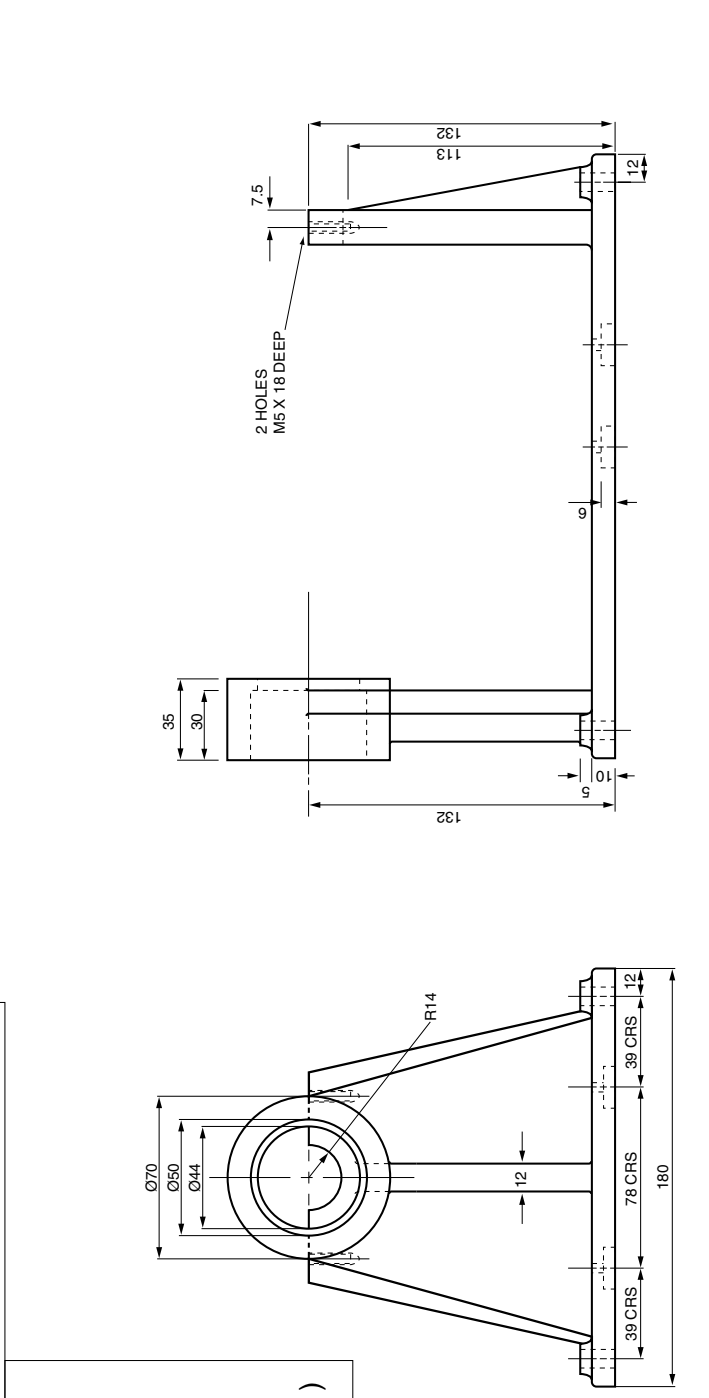
SPLINED SHAFT ( 1 REQUIRED )



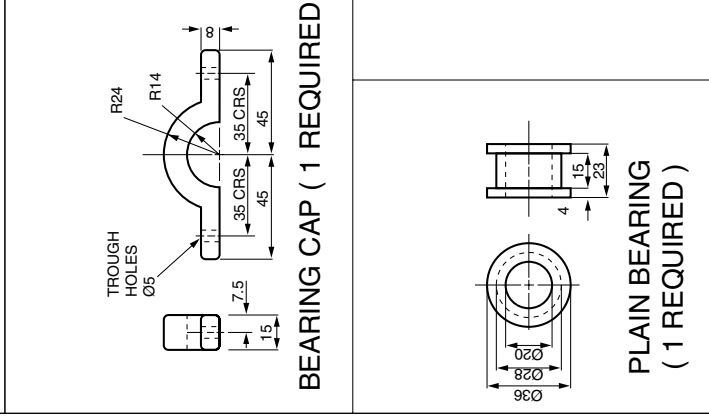
FLYWHEEL ( 1 REQUIRED )



BEARING CAP ( 1 REQUIRED )



BASE ( 1 REQUIRED )



PLAIN BEARING ( 1 REQUIRED )

ALL DIMENSIONS IN MILLIMETRES

WINTER 2002

9351/2

