



UNIVERSITY OF CAMBRIDGE INTERNATIONAL EXAMINATIONS
General Certificate of Education Advanced Subsidiary Level and Advanced Level

GEOGRAPHY

9696/21

Paper 2 Advanced Physical Options

May/June 2012

INSERT

1 hour 30 minutes

READ THESE INSTRUCTIONS FIRST

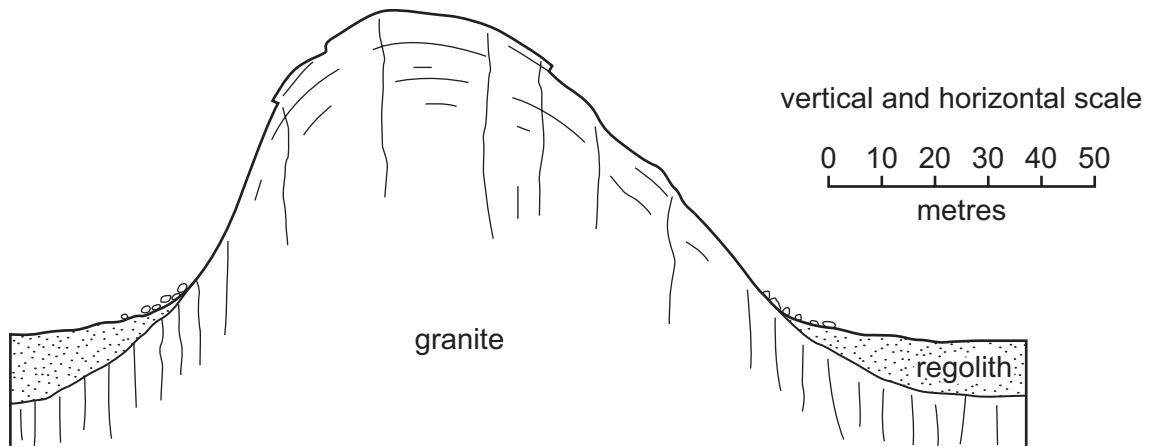
This Insert contains all the Figures and the Photographs referred to in the questions.

This document consists of **3** printed pages and **1** blank page.



Fig. 1 for Question 2

A cross section diagram of a granite inselberg in a tropical region



Photographs A and B for Question 4

Two types of coral reef



A



B

Fig. 2 for Question 6

Potential hazards from an eruption of a volcano

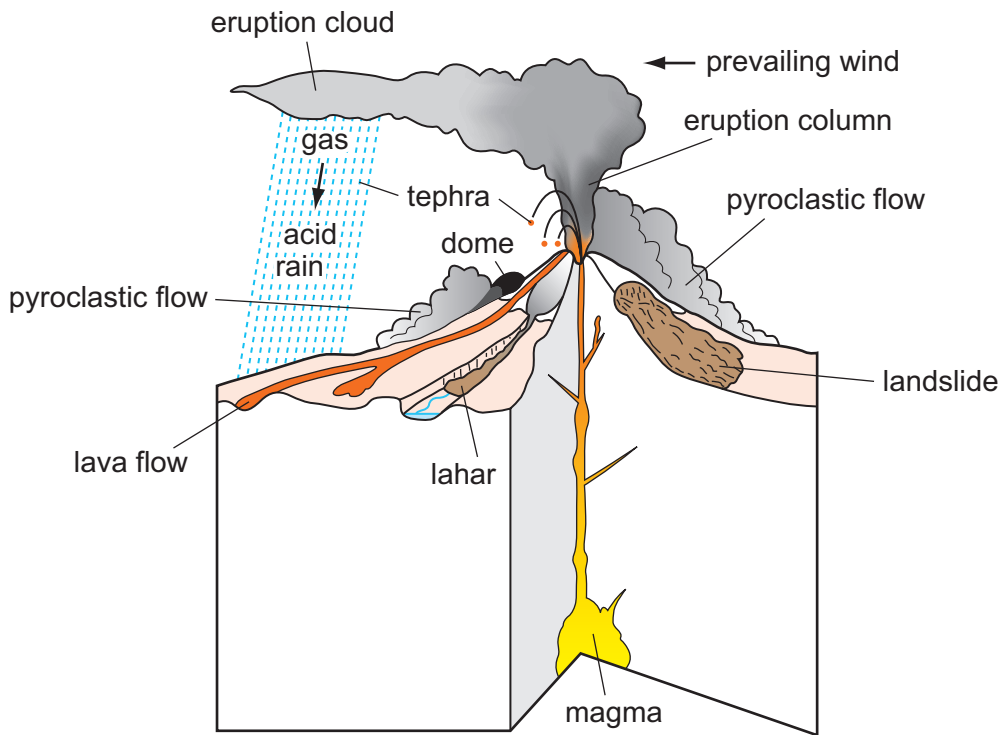
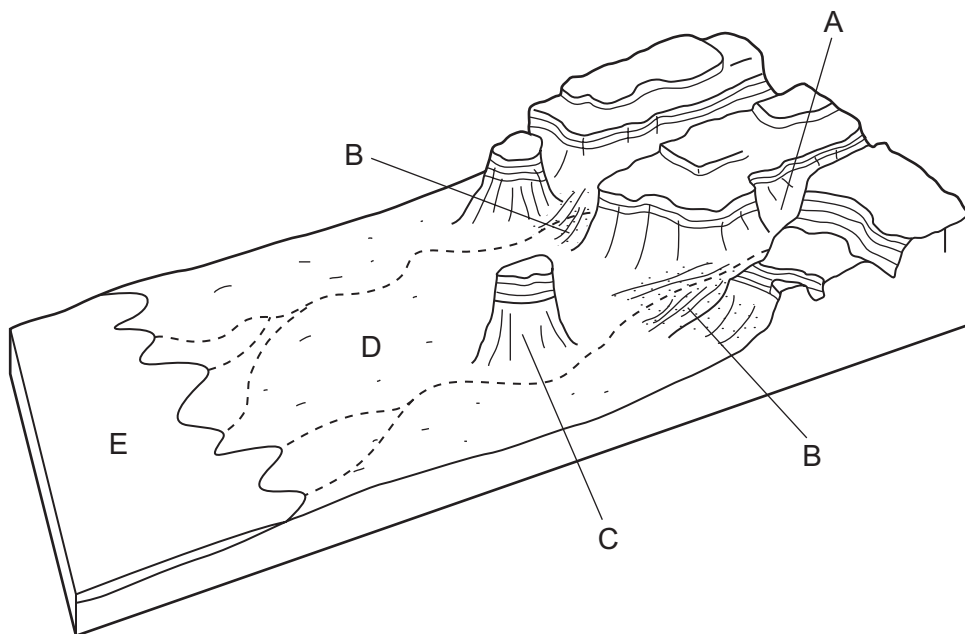


Fig. 3 for Question 8

Landforms of a mountainous hot desert landscape



BLANK PAGE

Permission to reproduce items where third-party owned material protected by copyright is included has been sought and cleared where possible. Every reasonable effort has been made by the publisher (UCLES) to trace copyright holders, but if any items requiring clearance have unwittingly been included, the publisher will be pleased to make amends at the earliest possible opportunity.

University of Cambridge International Examinations is part of the Cambridge Assessment Group. Cambridge Assessment is the brand name of University of Cambridge Local Examinations Syndicate (UCLES), which is itself a department of the University of Cambridge.