

Write your name here	
Surname	Other names
Centre Number	Candidate Number
Edexcel GCE	
Design and Technology Product Design: Resistant Materials Technology Advanced Subsidiary Unit 2: Design and Technology in Practice	
Wednesday 18 May 2011 – Afternoon Time: 1 hour 30 minutes	Paper Reference 6RM02/01
You do not need any other materials.	Total Marks

Instructions

- Use **black** ink or ball-point pen.
- If pencil is used for diagrams/sketches it must be dark (HB or B). Coloured pens, pencils and highlighter pens must not be used.
- **Fill in the boxes** at the top of this page with your name, centre number and candidate number.
- Answer **all** questions.
- Answer the questions in the spaces provided
– *there may be more space than you need.*

Information

- The total mark for this paper is 70.
- The marks for **each** question are shown in brackets
– *use this as a guide as to how much time to spend on each question.*
- Questions labelled with an **asterisk** (*) are ones where the quality of your written communication will be assessed
– *you should take particular care on these questions with your spelling, punctuation and grammar, as well as the clarity of expression.*

Advice

- Read each question carefully before you start to answer it.
- Keep an eye on the time.
- Try to answer every question.
- Check your answers if you have time at the end.

Turn over ►

P35154A

©2011 Edexcel Limited.
1/1/1/1/1



edexcel 
advancing learning, changing lives

Answer ALL the questions. Write your answers in the spaces provided.

- 1 Figure 1 shows a wheelbarrow. The frame of the wheelbarrow is made from aluminium.

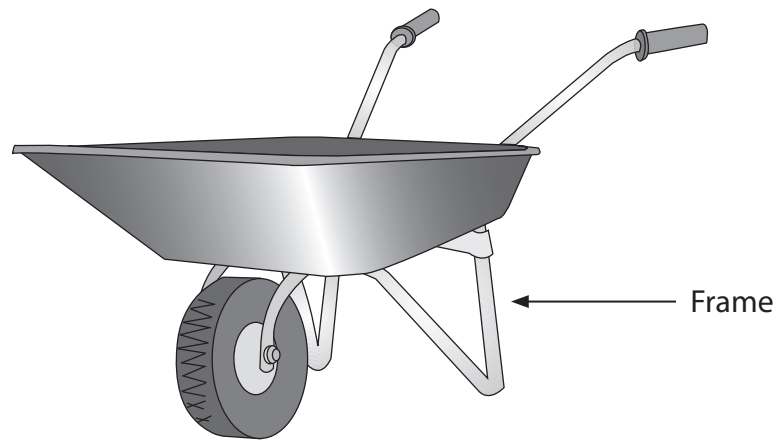


Figure 1

- (a) Explain **three** reasons why the frame of the wheelbarrow is made from aluminium.

(6)

1

2

3



(b) Figure 2 shows an enlarged view of the wheelbarrow wheel.

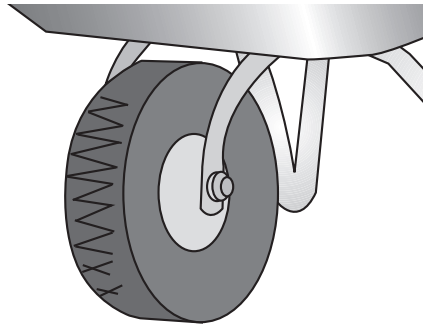


Figure 2

A bush is used as the bearing mechanism on which the wheel of the wheelbarrow rotates.

Give **two** reasons why a bush is used in preference to a ball-bearing for the wheelbarrow.

(2)

1

.....

2

.....

(Total for Question 1 = 8 marks)



2 Risk assessment is a necessary part of health and safety legislation.

(a) Explain **three** control measures that an employer can use to reduce the chances of an accident occurring in a workshop.

(6)

1

.....

.....

2

.....

.....

3

.....

.....

.....



(b) Figure 3 shows the 'Kitemark'.

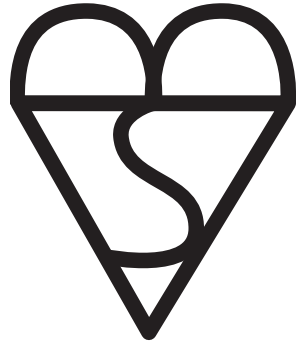


Figure 3

Outline what the symbol signifies in terms of a product's quality.

(4)

.....

.....

.....

.....

.....

.....

.....

.....

.....

.....

(Total for Question 2 = 10 marks)



3 Figure 4 shows a plastic clothes peg.



Figure 4

(a) Justify **three** reasons why mass production methods would be used to produce plastic clothes pegs.

(6)

1

.....

.....

2

.....

.....

3

.....

.....

.....



(b) Outline what is meant by total quality management (TQM).

(4)

.....

.....

.....

.....

.....

.....

.....

.....

.....

.....

.....

.....

.....

.....

.....

.....

(Total for Question 3 = 10 marks)



7
Turn over ▶

4 Figure 5 shows four polypropylene (PP) wastepaper bins.



Figure 5

(a) Give **four** reasons why the wastepaper bins are manufactured from polypropylene (PP).
(4)

1

2

3

4



*(b) Figure 6 shows a motorcycle crash helmet which is made from carbon fibre.

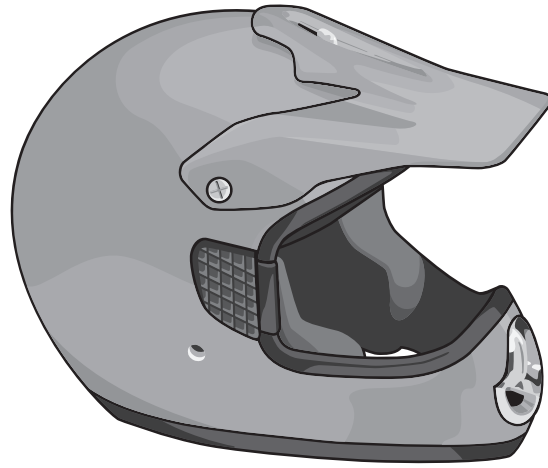


Figure 6

Evaluate the use of carbon fibre in the manufacture of crash helmets.

(6)

.....

.....

.....

.....

.....

.....

.....

.....

.....

.....

.....

.....

.....

.....

.....

.....

.....

.....

.....

.....

.....

.....

(Total for Question 4 = 10 marks)



5 Figure 7 shows knots in a piece of timber.

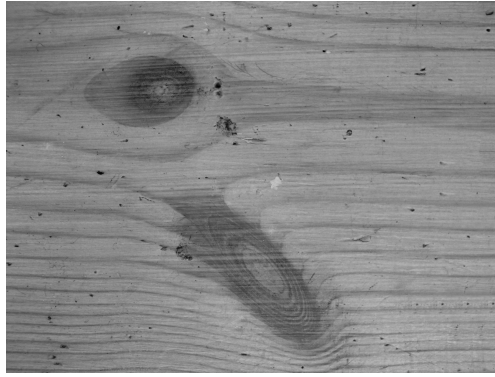


Figure 7

(a) (i) State why knots occur in timber.

(1)

.....

.....

(ii) Describe why knots are a problem when working timber.

(3)

.....

.....

.....

.....

.....

.....



(b) Once a tree is felled, the timber is usually seasoned before it can be used.

Explain **three** advantages of using kiln seasoning in preference to natural seasoning.

(6)

1

.....

.....

2

.....

.....

3

.....

.....

.....

(Total for Question 5 = 10 marks)



6 Figure 8 shows three different types of cam follower.

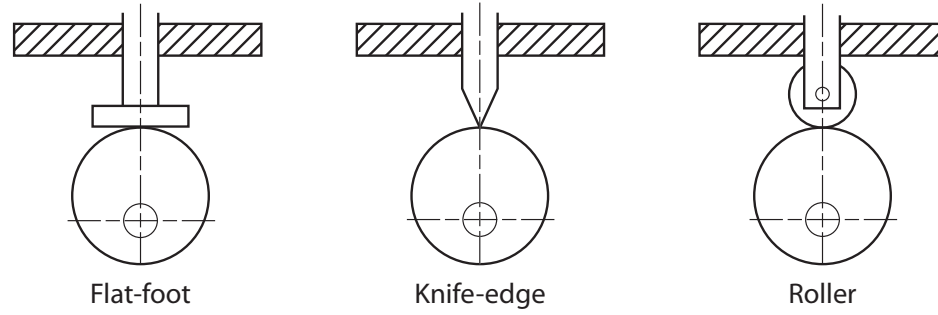


Figure 8

(a) Give **two** operational characteristics for each of the cam followers.

(6)

Flat-foot

1

2

Knife-edge

1

2

Roller

1

2



(b) Reactive glass is used in a range of products.

Describe how reactive glass is able to change its state from clear to tinted and back again.

(2)

.....

.....

.....

(c) Give **two** advantages of using solar panels to heat domestic hot water.

(2)

1

.....

2

.....

(Total for Question 6 = 10 marks)



7 Computer aided design (CAD) can be used to create 3D 'virtual' models.

(a) Outline **four** advantages of using a 'virtual' model as part of the design development process.

(4)

1

.....

2

.....

3

.....

4

.....

*(b) Figure 9 shows a number of turned aluminium chess pieces which have been manufactured using a computer numerically controlled (CNC) lathe.



Figure 9

Evaluate the use of computer aided manufacture (CAM) in the production of these chess pieces.

(8)

.....

.....

.....

.....





Handwriting practice area with 18 horizontal dotted lines.

(Total for Question 7 = 12 marks)

TOTAL FOR PAPER = 70 MARKS



P 3 5 1 5 4 A 0 1 5 1 6





BLANK PAGE

