

## ERRATUM NOTICE

**ADVANCED GCE**

**APPLIED BUSINESS**  
 Strategic Decision-Making

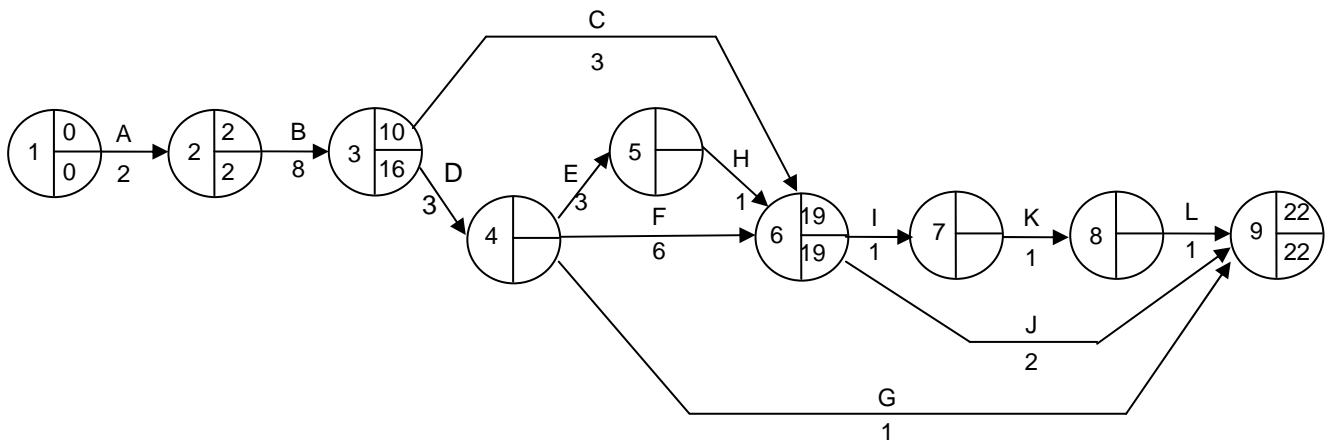
**F248**

**Thursday 13 January 2011**

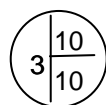
**Morning**

In response to centre feedback we have revised the published examination paper to make it more suitable for practice material. Details of this correction are provided below.

The Network diagram in question 6 appears as:



Node 3 should read:



Any enquiry about this notice should be referred to the Customer Contact Centre on 01223 553 998 or [general.qualifications@ocr.org.uk](mailto:general.qualifications@ocr.org.uk)