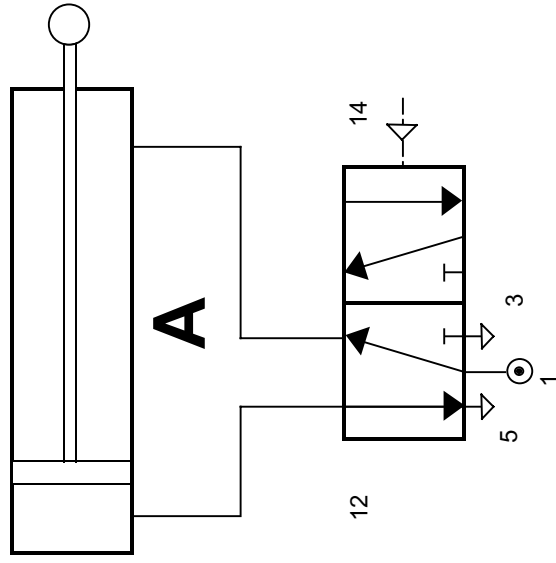
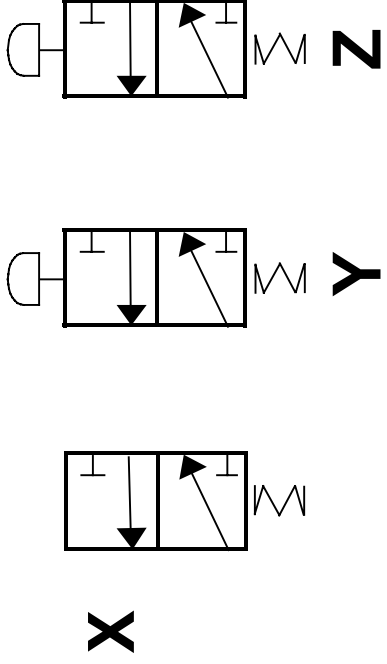
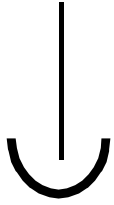


Centre Number
 71

Candidate Number

Air Bleed



12V

0V

PTM Switch

Pro forma answer page
 (answer number 12(a)(iv) and (v))