

Wednesday 23 January 2013 – Afternoon

A2 GCE PHYSICS B (ADVANCING PHYSICS)

G495/01 Field and Particle Pictures

Candidates answer on the Question Paper.

OCR supplied materials:

- Data, Formulae and Relationships Booklet (sent with general stationery)
- Insert (inserted)

Other materials required:

- Electronic calculator
- Ruler (cm/mm)

Duration: 2 hours



Candidate forename		Candidate surname	
--------------------	--	-------------------	--

Centre number						Candidate number				
---------------	--	--	--	--	--	------------------	--	--	--	--

INSTRUCTIONS TO CANDIDATES

- The Insert will be found in the centre of this document.
- Write your name, centre number and candidate number in the boxes above. Please write clearly and in capital letters.
- Use black ink. HB pencil may be used for graphs and diagrams only.
- Answer **all** the questions.
- Read each question carefully. Make sure you know what you have to do before starting your answer.
- Write your answer to each question in the space provided. If additional space is required, you should use the blank pages at the end of this booklet. The question number(s) must be clearly shown.
- Do **not** write in the bar codes.

INFORMATION FOR CANDIDATES

- The number of marks is given in brackets [] at the end of each question or part question.
- The total number of marks for this paper is **100**.
- You may use an electronic calculator.



Where you see this icon you will be awarded marks for the quality of written communication in your answer.

This means for example, you should:

- ensure that text is legible and that spelling, punctuation and grammar are accurate so that the meaning is clear
- organise information clearly and coherently, using specialist vocabulary when appropriate.
- You are advised to show all the steps in any calculations.
- This document consists of **24** pages. Any blank pages are indicated.
- The questions in Section C are based on the material in the Insert.

SECTION A

Answer **all** the questions.

- 1 Here is a list of quantities and units. Draw lines from one box to another to match the quantity to its unit.

induced emf	NC^{-1}
electric field strength	Wb m^{-2}
magnetic field strength	JC^{-1}
magnetic flux	Wb

[2]

- 2 A magnet is attached to a motor and rotates below a freely-suspended copper disc as shown in Fig. 2.1.

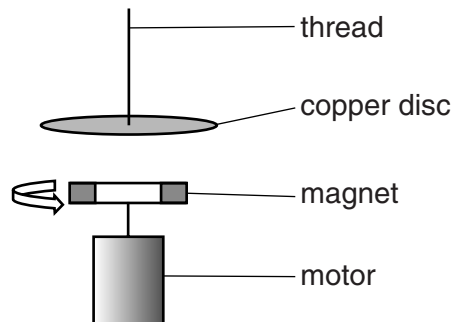


Fig. 2.1

Choose the correct statement from the sentences below.

- A The disc will not rotate because copper is not magnetic.
- B The disc will rotate because copper is magnetic.
- C The disc will not rotate because it has a high resistance.
- D The disc will rotate because currents are induced in the copper.

The correct statement is [1]

- 3 A thundercloud has a flat base 500 m above the ground as shown in Fig. 3.1.

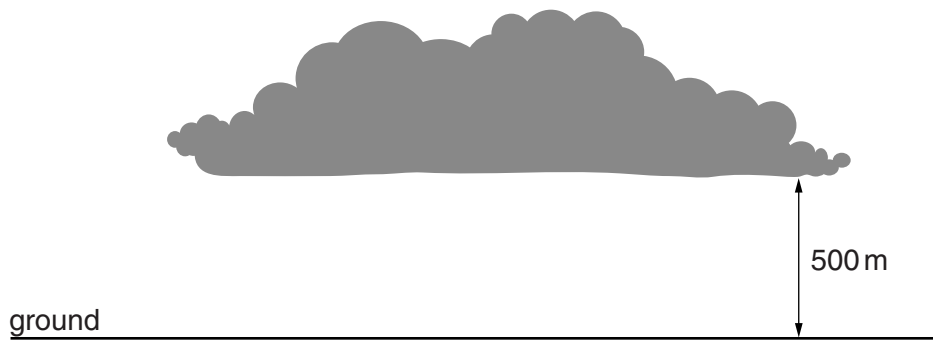


Fig. 3.1

The base of the cloud is at a potential of +70 MV compared to the ground. Assume that there is a uniform field between the base of the cloud and the ground.

- (a) Draw and label the +35 MV equipotential line on the diagram. [1]
- (b) Calculate the strength of the electric field between the base of the cloud and the ground.

field strength = V m^{-1} [1]

- 4 A model of the hydrogen atom pictures the electron as a standing wave trapped in a box.

A hydrogen atom has a diameter of about 1×10^{-10} m. Calculate the momentum of an electron with a wavelength of 1×10^{-10} m.

$$h = 6.6 \times 10^{-34} \text{ Js}$$

momentum of electron = kg m s^{-1} [2]

5 Here is a list of particles:

electron

photon

neutrino

neutron

gluon

Choose a particle from the list to complete the sentences below.

The is a hadron composed of two down quarks and one up quark.

The is the carrier particle of the force that holds quarks together.

The and the are both leptons.

[3]

6 An ideal transformer is used to convert a 230V 50Hz supply into a 12V output.

(a) Calculate the turns ratio :

$$\frac{\text{number of turns on primary coil}}{\text{number of turns on secondary coil}}$$

turns ratio = **[1]**

(b) State the frequency of the 12V output.

frequency = Hz **[1]**

- 7 Fig. 7.1 shows a graph of electric potential due to a point charge against distance from the point charge.

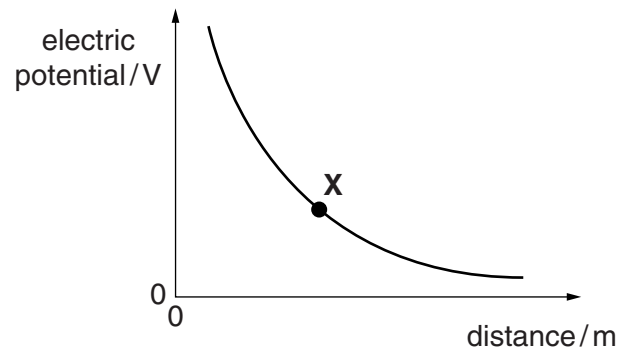


Fig. 7.1

- (a) Explain the meaning of the term *electric potential*.

[2]

- (b) State what the gradient at point X represents.

[1]

- 8 In one example of nuclear fission, uranium-235 breaks into two smaller, daughter nuclei and two neutrons. The binding energy per nucleon in a uranium-235 nucleus is -7.6 MeV.

- (a) Calculate the total binding energy of a uranium-235 nucleus.

total binding energy = MeV [1]

- (b) The average binding energy per nucleon for the smaller daughter nuclei is -8.5 MeV.

Calculate the energy released in this fission event.

energy released = MeV [2]

- 9 A worker in the nuclear industry has an average absorbed dose of 18 mSv per year over her 25 years of working. Calculate an estimate for the total energy absorbed by her body from the radiation over 25 years.

mass of worker = 65 kg

quality factor of radiation = 1

total energy absorbed = J [2]

BLANK PAGE

Question 10 begins on page 8

PLEASE DO NOT WRITE ON THIS PAGE

8
SECTION B

10 This question is about accelerating protons in the Large Hadron Collider.

Fig. 10.1 shows how the energy of a proton changes as it approaches the velocity of light c .

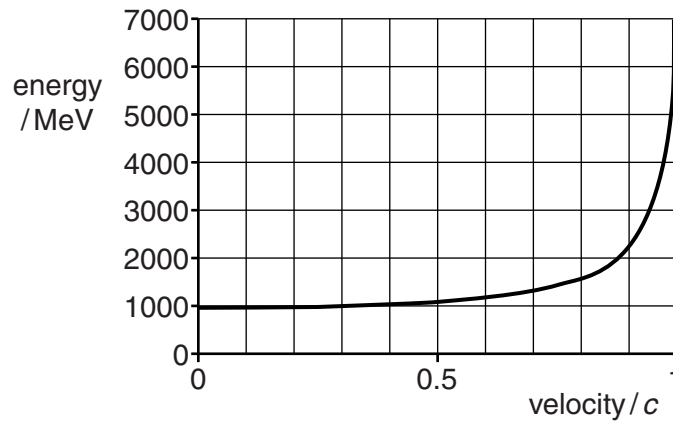


Fig. 10.1

(a) State the feature of Fig. 10.1 that suggests that protons can never reach the speed of light.

[1]

(b) (i) Protons of energy 4 TeV (4×10^{12} eV) circle in the Large Hadron Collider.

Calculate the relativistic factor γ at this energy.

rest energy of proton = 938 MeV

relativistic factor γ = [2]

(ii) Explain by calculation how your result shows that the protons are travelling at more than 99% of the speed of light.

[3]

- (c) Although the protons are accelerated to extremely high energies, the kinetic energy of a 4 TeV proton is described as being 'about that of a mosquito'.

Use the data below to estimate the speed of a mosquito with similar kinetic energy to a 4 TeV proton.

$$\text{mass of a mosquito} = 2 \times 10^{-6} \text{ kg}$$

$$e = 1.6 \times 10^{-19} \text{ C}$$

$$\text{speed of mosquito} = \dots\dots\dots \text{ m s}^{-1} \quad [2]$$

- (d) The high speed protons of charge q pass into a magnetic field of strength B , where they travel in a circle of radius r .

- (i) If all the quantities are expressed in S.I. units, use the relationship

$$B q r = \text{energy of particle} / \text{speed of light}$$

to show that the unit of magnetic field strength, the tesla (T) is equivalent to $\text{N A}^{-1} \text{ m}^{-1}$.

[2]

- (ii) Calculate the magnetic field strength B required to make 4 TeV protons follow a circular path of radius 4250 m.

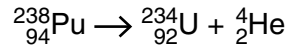
$$c = 3.0 \times 10^8 \text{ m s}^{-1}$$

$$B = \dots\dots\dots \text{ T} \quad [2]$$

[Total: 12]

- 11 This question is about using plutonium-238 as a power source in nuclear batteries.

Plutonium-238 decays into uranium-234 as shown below:



- (a) Use the data below to show that the energy produced in one decay of plutonium-238 is about 9×10^{-13} J. Show each stage of your working clearly.

$$\text{mass of } {}_{94}^{238}\text{Pu} = 237.9979 \text{ u}$$

$$\text{mass of } {}_{92}^{234}\text{U} + {}_2^4\text{He} = 237.9919 \text{ u}$$

$$u = 1.7 \times 10^{-27} \text{ kg}$$

$$c = 3.0 \times 10^8 \text{ ms}^{-1}$$

[3]

- (b) One type of nuclear battery has been implanted into patients to power heart pacemakers.

The sealed plutonium source in this type of battery has an initial activity of 6.0×10^{10} Bq.

- (i) Calculate the initial power released by the plutonium source.

power = W [2]

(ii) Show that the mass of plutonium in the battery is about 1×10^{-4} kg.

decay constant of plutonium-238 = $2.5 \times 10^{-10} \text{ s}^{-1}$.

$N_A = 6.0 \times 10^{23} \text{ mol}^{-1}$

mass of one mole of plutonium-238 = 0.238 kg

[2]

(c) The working life of the plutonium battery is about twenty years. Nuclear batteries were used in younger patients requiring pacemakers as they did not need to be frequently replaced. Plutonium-238 was considered an ideal source for use in such a battery as it is an alpha source with a half-life of about 88 years.

The effective dose from such batteries is about one millisievert per year. The uranium-234 produced in the decay does not contribute to the dose. The risk of developing cancer is given as about 5% per sievert per year.

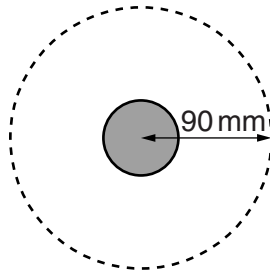
Discuss why plutonium-238 is well-suited to use in such a battery. You may use calculations in your answer.

$$1 \text{ year} = 3.2 \times 10^7 \text{ s}$$

[4]

[Total: 11]

- 12 This question is about the electric field near a charged conducting ball. Fig. 12.1 shows an equipotential near the ball.



not to scale

Fig. 12.1

- (a) (i) The potential at 90 mm from the centre of the ball is 230 V. Calculate the charge on the ball.

$$k = 9.0 \times 10^9 \text{ Nm}^2 \text{ C}^{-2}$$

charge = C [2]

- (ii) The ball is at a potential of 4000 V. Show that the radius of the ball is about 5 mm.

[1]

- (b) The ball is clamped above a second, similar conducting ball placed on an electronic balance which is zeroed. Both balls are given a charge of $+5.2 \times 10^{-9} \text{ C}$. The centres of the balls are separated by 14 mm. See Fig. 12.2.

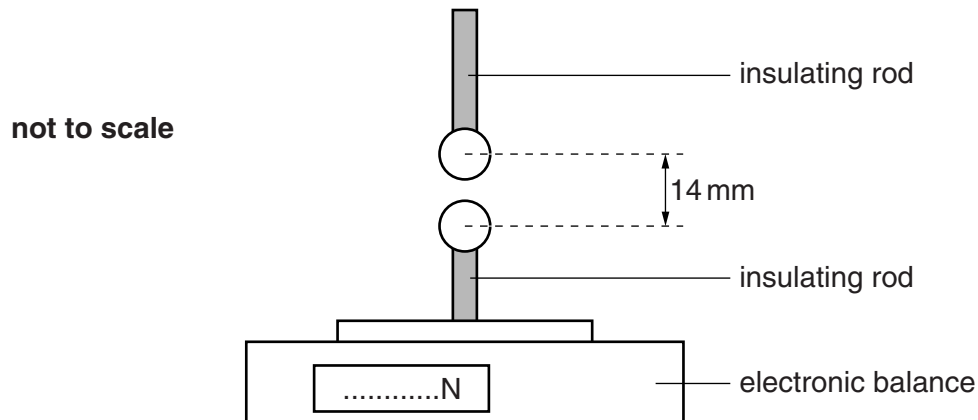


Fig. 12.2

The balance reads to the nearest 0.001 N.

Show that the balance will read 0.001 N. Assume that the balls behave as point charges.

[2]

- (c) The separation is reduced to 11 mm. The reading of the balance does not change.

Explain, with calculations, why the reading may be expected to change. Give a reason why no change in reading is actually observed.

You may assume that the total charge on each ball does not change.

[4]

[Total: 9]

13 This question is about a torch that does not require cells. See Fig. 13.1.

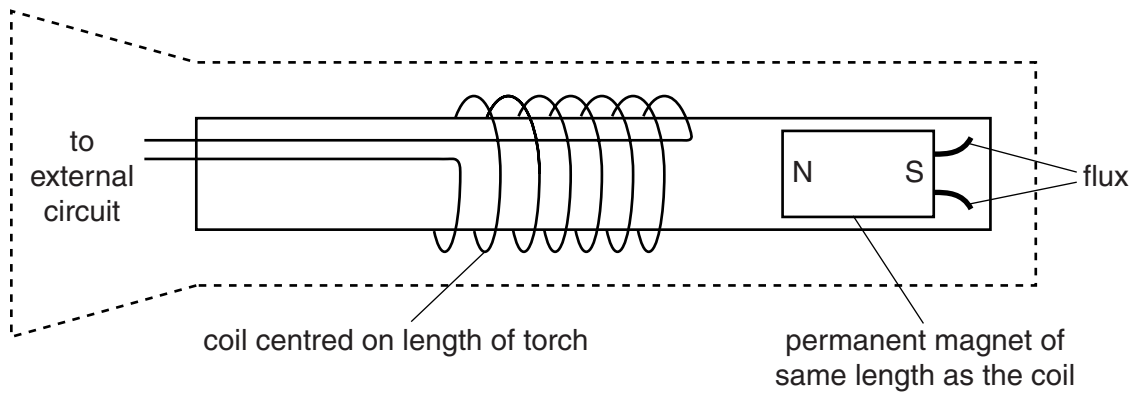


Fig. 13.1

When the torch is tilted the permanent magnet falls through the coil of copper wire. This induces an emf across the coil.

- (a) Complete the two flux loops of the permanent magnet on Fig. 13.1. [1]
- (b) At time $t = 0$ s the torch is tilted so that the magnet falls through the coil.

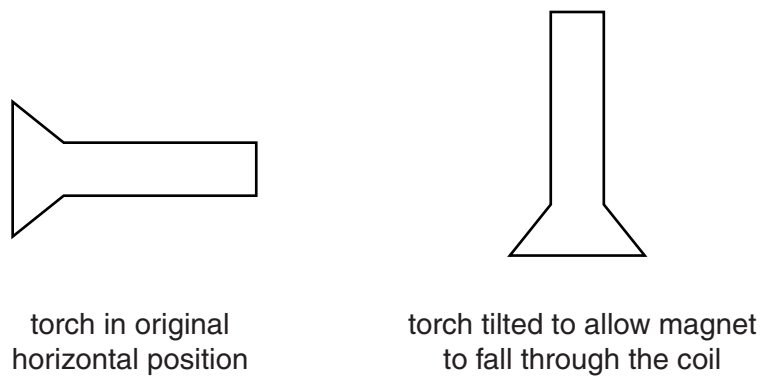


Fig. 13.2

Fig. 13.3 shows the emf induced as the magnet falls through the coil.

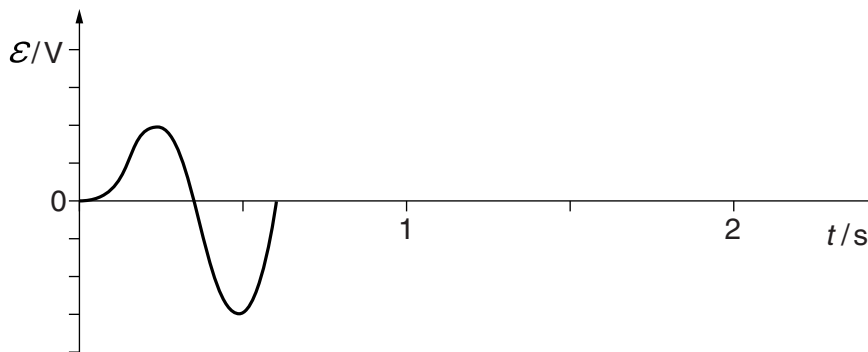


Fig. 13.3

Use a letter X to mark on Fig. 13.3 the time at which the magnet passed through the centre of the coil. [1]

- (c) (i) The maximum emf induced is 1.4V. The coil has 1500 turns. Calculate the maximum rate of change of flux.

maximum rate of change of flux = Wb s^{-1} [2]

- (ii) Explain how the magnet falling through the coil leads to the shape of the pulse shown in Fig. 13.3.



Make each stage in your explanation clear and refer to equations where appropriate.

[4]

- (d) At time $t = 1$ s the torch is tilted in the opposite direction so that the magnet falls through the coil once again but in the opposite direction. The magnet takes the same time to pass through the coil as it did in the first pass. On Fig. 13.3 draw the emf pulse that will be generated by the second pass of the magnet through the coil.

[2]

[Total: 10]

16
SECTION C

The questions in this section are based on the Advance Notice.

14 In a He-Ne laser, the difference in electron energy levels for the stimulated emission of photons is 1.96 eV.

(a) (i) Show that 1.96 eV is about 3×10^{-19} J.

$$e = 1.6 \times 10^{-19} \text{ C}$$

[1]

(ii) Show that the wavelength of the radiation produced from this emission is about 630 nm.

$$h = 6.6 \times 10^{-34} \text{ Js}$$
$$c = 3.0 \times 10^8 \text{ ms}^{-1}$$

[2]

(iii) If the output power of the laser is 3.0 mW, calculate the number of photons emitted per second by the laser operating in continuous wave mode.

number = s^{-1} [2]

(iv) Calculate the percentage efficiency of the laser when it is mains operated (230V) and draws a current of 2.0 A.

efficiency = % [2]

- (b) (i)** In thermal equilibrium the ratio of the number of electrons in the higher energy level (N_2) to the number in the lower energy level (N_1) is given by the Boltzmann factor, $e^{-(\Delta E/kT)}$ where

ΔE = energy difference between the levels

k = the Boltzmann constant, $1.38 \times 10^{-23} \text{ JK}^{-1}$

T = absolute temperature.

Use the result from **(a)(i)** to calculate the Boltzmann factor when $T = 300 \text{ K}$.

Boltzmann factor = [2]

- (ii)** Explain the meaning of the term *population inversion*. Use your answer to **(b)(i)** to explain why population inversion is required in order for a laser to work. (lines 3–12 in the article)



Make each stage in your explanation clear and use correct technical language.

[4]

[Total: 13]

15 A pulsed CO_2 laser of output power $3.0 \times 10^{11} \text{ W}$ produces pulses that each last for $1 \times 10^{-9} \text{ s}$.

(a) Calculate the energy of each pulse.

energy = J [1]

(b) The energy of the pulse is absorbed by 1.5 g of water.
Calculate the temperature rise of the water.

specific thermal capacity of water = $4200 \text{ J kg}^{-1} \text{ K}^{-1}$

temperature rise = K [2]

[Total: 3]

16 In a laser, the gain medium is put between parallel mirrors. When operating, standing waves are set up in the medium.

(a) Draw the longest wavelength standing wave possible in the space between the mirrors shown in Fig. 16.1.



Fig. 16.1

[1]

(b) In a particular GaAs semiconductor laser the gain medium has a length of $1.1 \times 10^{-7} \text{ m}$. Show that the lowest frequency radiation which can produce a standing wave is about $4 \times 10^{14} \text{ Hz}$.

speed of electromagnetic waves in GaAs = $0.83 \times 10^8 \text{ m s}^{-1}$

[2]

[Total: 3]

17 Fig. 3 in the article shows how different wavelengths of laser light are absorbed by water.

- (a) Both scales of the graph are logarithmic. Explain why it is more useful to display the information shown as a logarithmic graph rather than a graph with linear axes.

[2]

- (b) By taking a measurement from Fig. 3 in the article, show that a beam of laser radiation of wavelength 1000 nm would be reduced to about 5% of its original intensity after penetrating a depth of 3 m of water.

[4]

[Total: 6]

18 In lines 54–57 of the article the process known as “optical breakdown” using powerful laser pulses is described.

(a) It has been shown that shorter laser pulses cause less unwanted damage to nearby tissue.

(i) Explain why such lasers must be of higher power in order to produce the same effect as the longer pulses from lower power lasers.

[2]

(ii) Suggest why shorter laser pulses cause less damage to nearby tissue.

[1]

(b) By calculating the number of molecules of water in 1 cm^3 , show that an electron density of 10^{21} electrons per cm^3 suggests that on average 3% of the molecules will lose an electron.

One mole of water has a mass of 18 g.

density of water = 1 g cm^{-3}

Avogadro constant $N_A = 6.0 \times 10^{23}\text{ mol}^{-1}$

[4]

[Total: 7]

19 For some medical procedures laser light is directed along optical fibres made of high-purity glass.

(a) Suggest why it is important that high-purity glass is used in this application.

[1]

(b) If the fibre is perfectly straight, it is possible for the light to travel along the axis of the fibre. Because the fibre will rarely be straight, the light can travel at an angle to the axis of the fibre, resulting in zig-zag paths along the length of the fibre.

(i) Calculate the minimum time taken for a pulse of laser light to travel the length of a 0.75 m optical fibre.

$$\begin{aligned} \text{refractive index of the glass} &= 1.20 \\ c &= 3.00 \times 10^8 \text{ m s}^{-1} \end{aligned}$$

time taken = s [2]

(ii) Explain why the calculation in (i) represents the **minimum** time.

[1]

(iii) The refractive index of the glass varies with the wavelength of the light. For one type of glass, the value is 1.19 for blue light and 1.21 for red light. Calculate the percentage difference in the time taken for red light to travel the length of the fibre compared to blue light.

percentage difference =% [2]

[Total: 6]

END OF QUESTION PAPER

ADDITIONAL ANSWER SPACE

If additional answer space is required, you should use the blank page(s) below. The question number(s) must be clearly shown in the margins.



ADDITIONAL ANSWER SPACE



PLEASE DO NOT WRITE ON THIS PAGE



Copyright Information

OCR is committed to seeking permission to reproduce all third-party content that it uses in its assessment materials. OCR has attempted to identify and contact all copyright holders whose work is used in this paper. To avoid the issue of disclosure of answer-related information to candidates, all copyright acknowledgements are reproduced in the OCR Copyright Acknowledgements Booklet. This is produced for each series of examinations and is freely available to download from our public website (www.ocr.org.uk) after the live examination series.

If OCR has unwittingly failed to correctly acknowledge or clear any third-party content in this assessment material, OCR will be happy to correct its mistake at the earliest possible opportunity.

For queries or further information please contact the Copyright Team, First Floor, 9 Hills Road, Cambridge CB2 1GE.

OCR is part of the Cambridge Assessment Group; Cambridge Assessment is the brand name of University of Cambridge Local Examinations Syndicate (UCLES), which is itself a department of the University of Cambridge.