

Candidate forename		Candidate surname	
--------------------	--	-------------------	--

Centre number						Candidate number				
---------------	--	--	--	--	--	------------------	--	--	--	--

**OXFORD CAMBRIDGE AND RSA EXAMINATIONS
ADVANCED SUBSIDIARY GCE**

G492

PHYSICS B (ADVANCING PHYSICS)

**Unit G492: Understanding Processes /
Experimentation and Data Handling**

MONDAY 17 JANUARY 2011: Afternoon

DURATION: 2 hours

SUITABLE FOR VISUALLY IMPAIRED CANDIDATES

Candidates answer on the question paper.

OCR SUPPLIED MATERIALS:

**Insert (Advance Notice Article for this question paper) (inserted)
Data, Formulae and Relationships Booklet**

OTHER MATERIALS REQUIRED:

Electronic calculator


Ruler (cm/mm)

READ INSTRUCTIONS OVERLEAF

INSTRUCTIONS TO CANDIDATES

- **Write your name, centre number and candidate number in the boxes on the first page. Use black ink. Pencil may be used for graphs and diagrams only.**
- **Read each question carefully. Make sure you know what you have to do before starting your answer.**
- **Write your answer to each question in the space provided. Additional paper may be used if necessary but you must clearly show your candidate number, centre number and question number(s).**
- **Answer ALL the questions.**

INFORMATION FOR CANDIDATES

- **The number of marks is given in brackets [] at the end of each question or part question.**
- **The total number of marks for this paper is 100.**
- **You may use an electronic calculator.**
- **You are advised to show all the steps in any calculations.**
- **The values of standard physical constants are given in the Data, Formulae and Relationships Booklet. Any additional data required are given in the appropriate question.**
-  **Where you see this icon you will be awarded marks for the quality of written communication in your answer.**

This means for example you should:

- **ensure that text is legible and that spelling, punctuation and grammar are accurate so that meaning is clear;**
- **organise information clearly and coherently, using specialist vocabulary when appropriate.**
- **The questions in Section C are based on the material in the Insert.**

BLANK PAGE

Answer ALL the questions.

SECTION A

- 1 Here is a list of equations used to calculate the quantities F , W , P , v^2 and s in certain situations.**

$$F = ma \quad W = F\Delta s \quad P = Fv \quad v^2 = u^2 + 2as \quad s = ut + \frac{1}{2}at^2$$

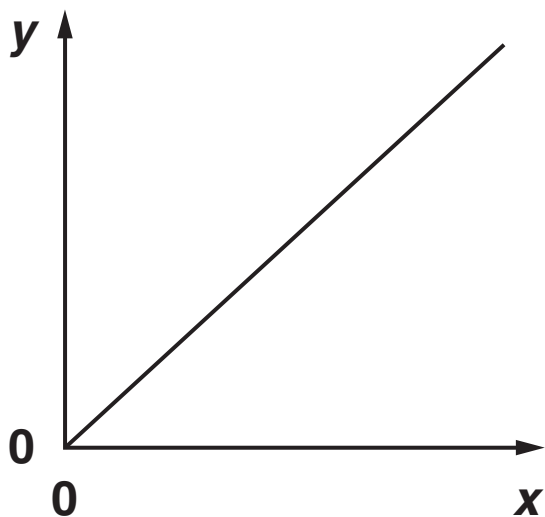
- (a) Which of the quantities F , W , P , v^2 and s could be measured in J?**

_____ [1]

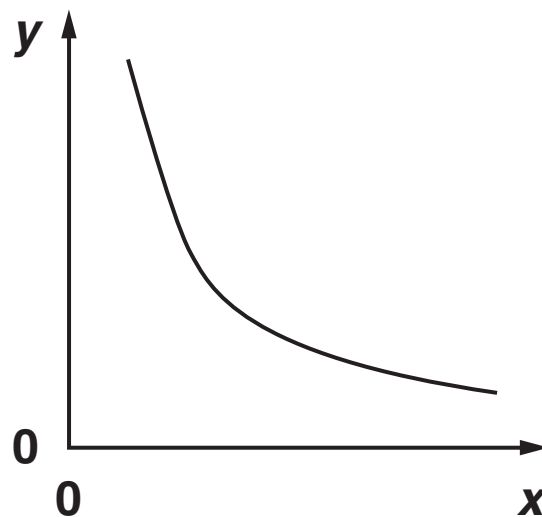
- (b) Which of the quantities F , W , P , v^2 and s are vectors?**

_____ and _____ [1]

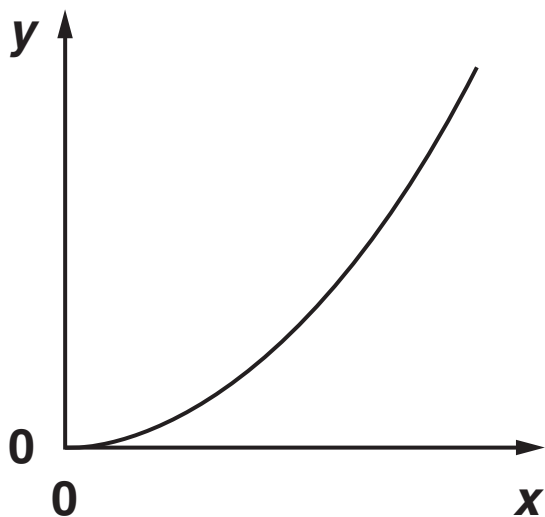
2



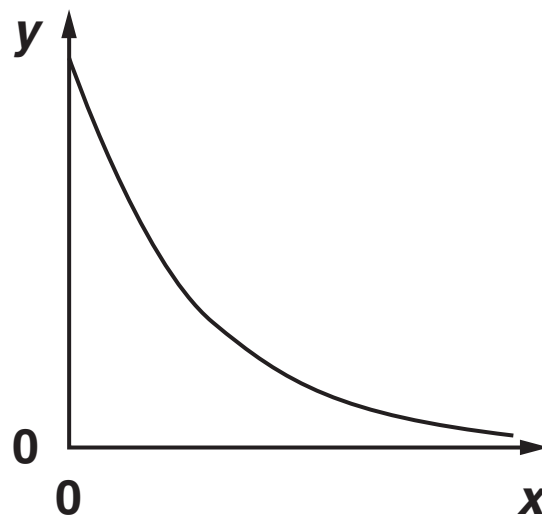
A



B



C



D

Which graph, A, B, C or D, is obtained when the y - and x -axes represent the two quantities given in each case below?

(a) y -axis: the energy of a photon of electromagnetic radiation

x -axis: the frequency of the radiation

_____ [1]

(b) y-axis: the acceleration of an object subject to a constant resultant force
x-axis: the mass of that object

_____ [1]

(c) y-axis: the wavelength of a wave
x-axis: the period of that wave

_____ [1]

- 3 An electron is a quantum object.
An electron leaves a hot wire and arrives at a screen.
For all possible paths of this electron, the phasors are combined to give the total phasor amplitude A at any particular point on the screen.**

**Which of the following statements are correct for all points on the screen?
Put ticks (✓) in the TWO correct boxes.**

The phasors will all cancel out.	
The phasors are all in phase.	
Phasors are added as vectors.	
The electron always takes the shortest path.	
The probability of the electron reaching any point is proportional to A.	
The probability of the electron reaching any point is proportional to A^2.	

[2]

4 The frequency of a photon emitted by a red LED is 4.8×10^{14} Hz.

(a) Show that the energy of a photon is about 3×10^{-19} J.

$$h = 6.6 \times 10^{-34} \text{ Js}$$

[1]

(b) The output power of the LED is 50 mW.

Calculate the number of photons emitted each second, assuming they all have a frequency of 4.8×10^{14} Hz.

number = _____ s^{-1} [2]

- 5 The town of Lymington in southern England is midway between two Radio 5 Live medium wave transmitters (X), each broadcasting the same strength signal at 909 kHz.



Fig. 5.1

- (a) Show that the wavelength of 909 kHz radio waves is about 300 m.

$$c = 3.0 \times 10^8 \text{ m s}^{-1}$$

[2]

- (b) Explain why there are places in Lymington where the Radio 5 signal at 909 kHz is very poor, and calculate the smallest separation between those places.

separation = _____ m [2]

6 Measuring the speed of light in the laboratory is difficult.

Give a reason why the percentage uncertainty in the value of the speed of light measured in the laboratory is likely to be quite large.

[2]

7 A stone is thrown vertically upwards at 12 m s^{-1} .

(a) Calculate the speed v of the stone when it is 3.0 m above the point of projection.

$$g = 9.8 \text{ m s}^{-2}$$

$v =$ _____ m s^{-1} [3]

(b) When the equation $s = ut + \frac{1}{2}at^2$ is used to calculate the time taken to reach a point 3.0 m above the point of projection, two answers of 0.28 s and 2.2 s are obtained.

Explain, without calculation, how the displacement can be the same at two different times.

[1]

[Section A Total: 20]

SECTION B

8 Waves on water are usually produced by wind blowing across the surface.

Under certain conditions, standing waves called *seiches* can be produced on a shallow lake.

Antinodes occur at opposite ends of the lake.

Fig. 8.1 shows the cross-section of a lake where a seiche is occurring, at equal intervals of time.

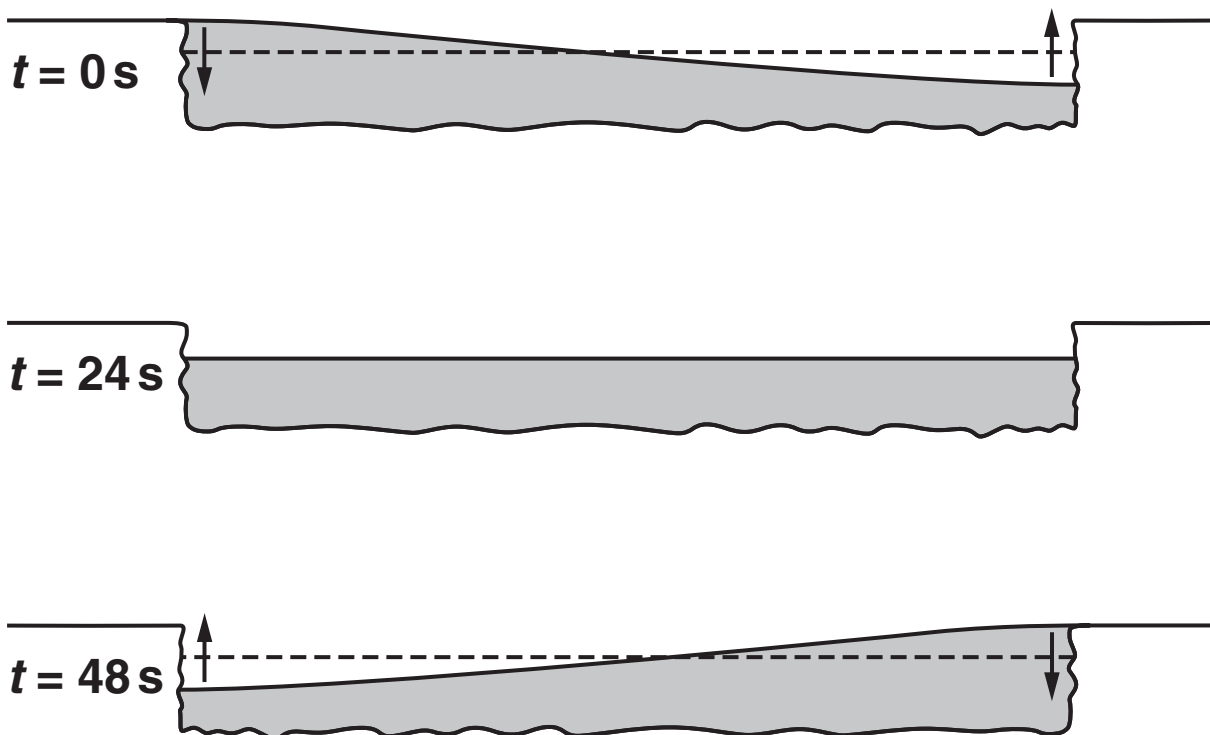


Fig. 8.1

(a) The standing waves shown in Fig. 8.1 occur in a small lake, 800 m long. They have a period of 96 s and amplitude of 1 m.

(i) Describe how someone viewing the lake might be aware that there were **STANDING WAVES on the lake.**

[2]

**(ii) For the standing wave, label each antinode A and each node N on the bottom diagram of Fig. 8.1.
Use the labels to explain why the wavelength of the water waves is 1600 m.**

[2]

- (iii) Explain why Fig. 8.1 shows that the period of the waves is 96 s.
Use this to calculate the speed of water waves in the lake.**

speed = _____ m s⁻¹ [4]

- (b) Explain why standing waves of period 48 s might also be observed on this lake.**



In your answer, you should make clear the logical steps.

[3]

- (c) In another lake, the longest period of seiche standing waves observed is about 14 hours, not 96 s. Suggest and explain ONE way in which this other lake may differ from the one in Fig. 8.1.**

[1]

[Total: 12]

- 9 In one extreme sport, BASE jumping, people jump off structures such as buildings or bridges. They open a parachute as late as they dare (Fig. 9.1).

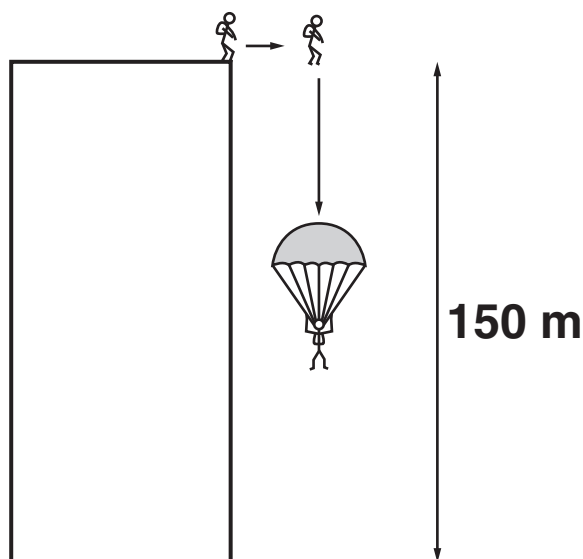


Fig. 9.1

- (a) In one BASE jump, the building used is 150 m high. In a simple model of the jump, a jumper accelerates uniformly with $a = g$ before she opens her parachute.
- (i) Show that it takes a little over 1 s for the free-falling BASE jumper to reach a speed of 12 m s^{-1} .

$$g = 9.8 \text{ m s}^{-2}$$

[1]

- (ii) Show that the distance fallen by the BASE jumper before she reaches a speed of 12 m s^{-1} is about 7 m.

[2]

- (iii) Assume that her parachute opens instantly after the first 7 m of free-fall, and that she then falls at a steady speed of 6.0 m s^{-1} for the rest of the fall.
Calculate the TOTAL time she takes to reach the ground.

total time = _____ s [2]

(b) The graph for the jump described by the model in (a) is shown in Fig. 9.2.

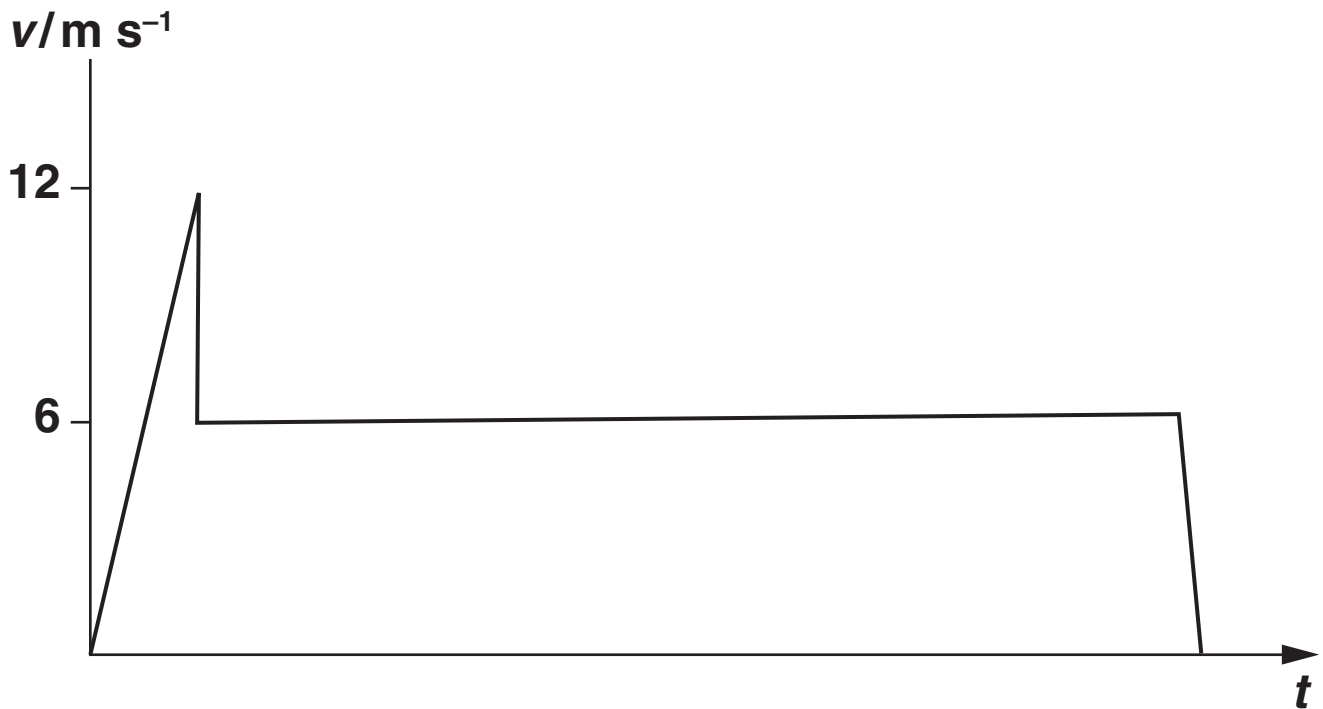


Fig. 9.2

Sketch on Fig.9.2 the actual curve you would expect for the BASE jumper. When the parachute is opened, her terminal velocity is 6.0 m s^{-1} .

[2]

(c) The BASE jumper hits the ground at a speed of 6.0 m s^{-1} . On landing, she folds her legs and rolls over onto the ground.

(i) Explain why these actions make the landing safer.

[1]

(ii) Calculate the average resultant force on the BASE jumper during landing if the time taken from first touching the ground to being completely stopped is 0.25 s.

mass of BASE jumper = 53 kg

force = _____ N [2]

[Total: 10]

10 In a simple wave model to explain the diffraction of waves at a gap, the gap of width b is divided into three equal parts as shown in Fig. 10.1. The centre of each part is treated as a source of waves.

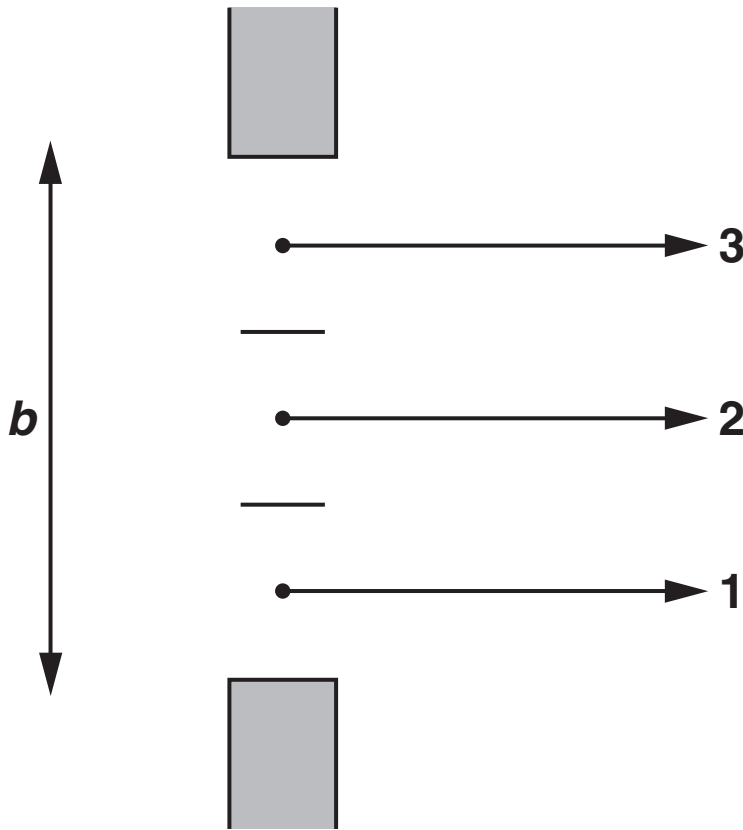


Fig. 10.1

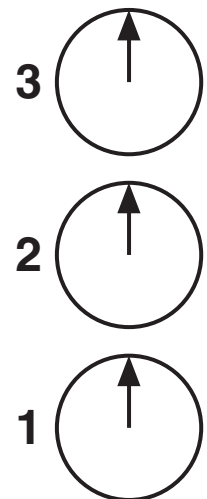


Fig. 10.2

- (a) The phasors for the waves from each of the three parts of the gap reaching a distant screen in the straight-on direction are shown in Fig. 10.2.
- (i) The paths taken by the waves in Fig. 10.1 are all equal in length. Explain how the phasors in Fig. 10.2 confirm this.

[1]

- (ii) Each phasor has an amplitude A . Write down the amplitude of the resultant phasor at the distant screen.

amplitude = _____ [1]

- (b) At an angle θ to the straight-on direction, the path difference between neighbouring paths is Δx , as shown in Fig. 10.3. For one particular value of θ , the resultant intensity is ZERO.

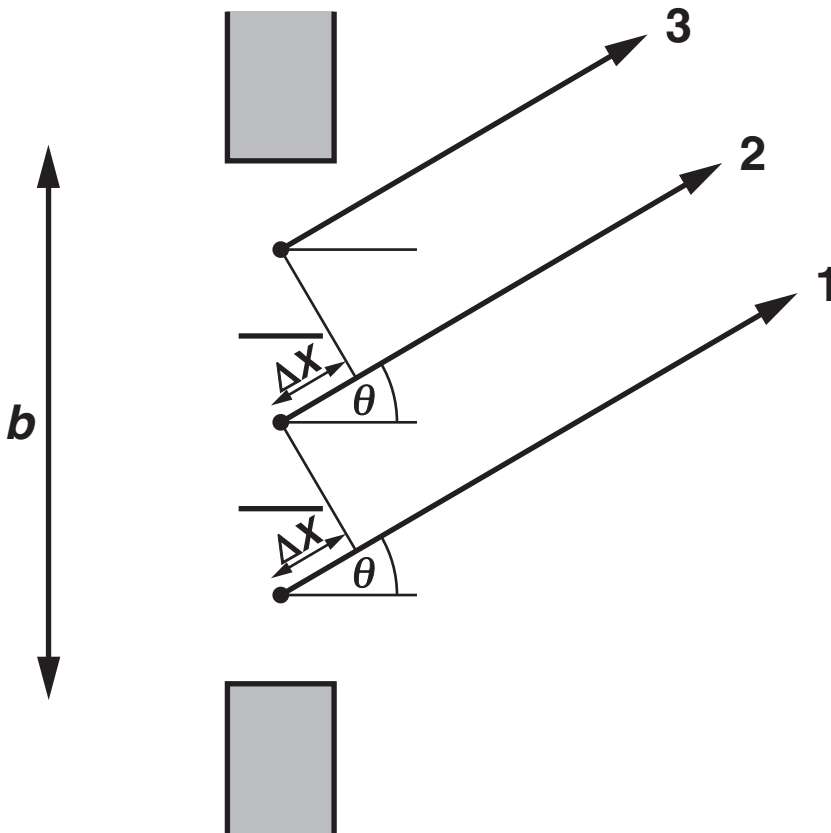


Fig. 10.3

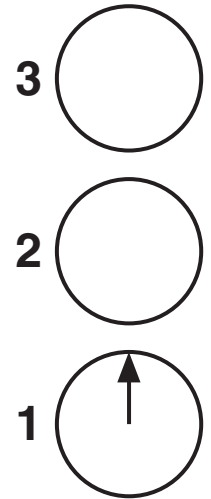


Fig. 10.4

- (i) Explain why the phasor for path 1 has rotated 120° more than the phasor for path 2, when $\Delta x = \frac{1}{3}\lambda$, where λ is the wavelength of the waves.

- (ii) Draw arrows on Fig. 10.4 above to represent the phasors for waves 2 and 3. Explain, using a diagram, why the three phasors have a zero resultant. Label your phasors in the diagram 1, 2 and 3.

[2]

- (iii) Use Fig. 10.3 and the fact that $\Delta x = \frac{1}{3}\lambda$ to show that $\lambda = b \sin \theta$ where b is the total width of the gap. Show your working clearly in this space.

[2]

- (c) Use the equation $\lambda = b \sin \theta$ to calculate the angle θ at which a minimum signal occurs when microwaves of wavelength 2.4 cm are incident on a gap of width 6.0 cm.

$$\theta = \text{_____}^\circ [2]$$

[Total: 10]

BLANK PAGE

- 11 This question is about firing an arrow using a longbow.
In Fig. 11.1, the archer has pulled back the bowstring to hold the arrow at rest with a force F . The tension in the bowstring is T .

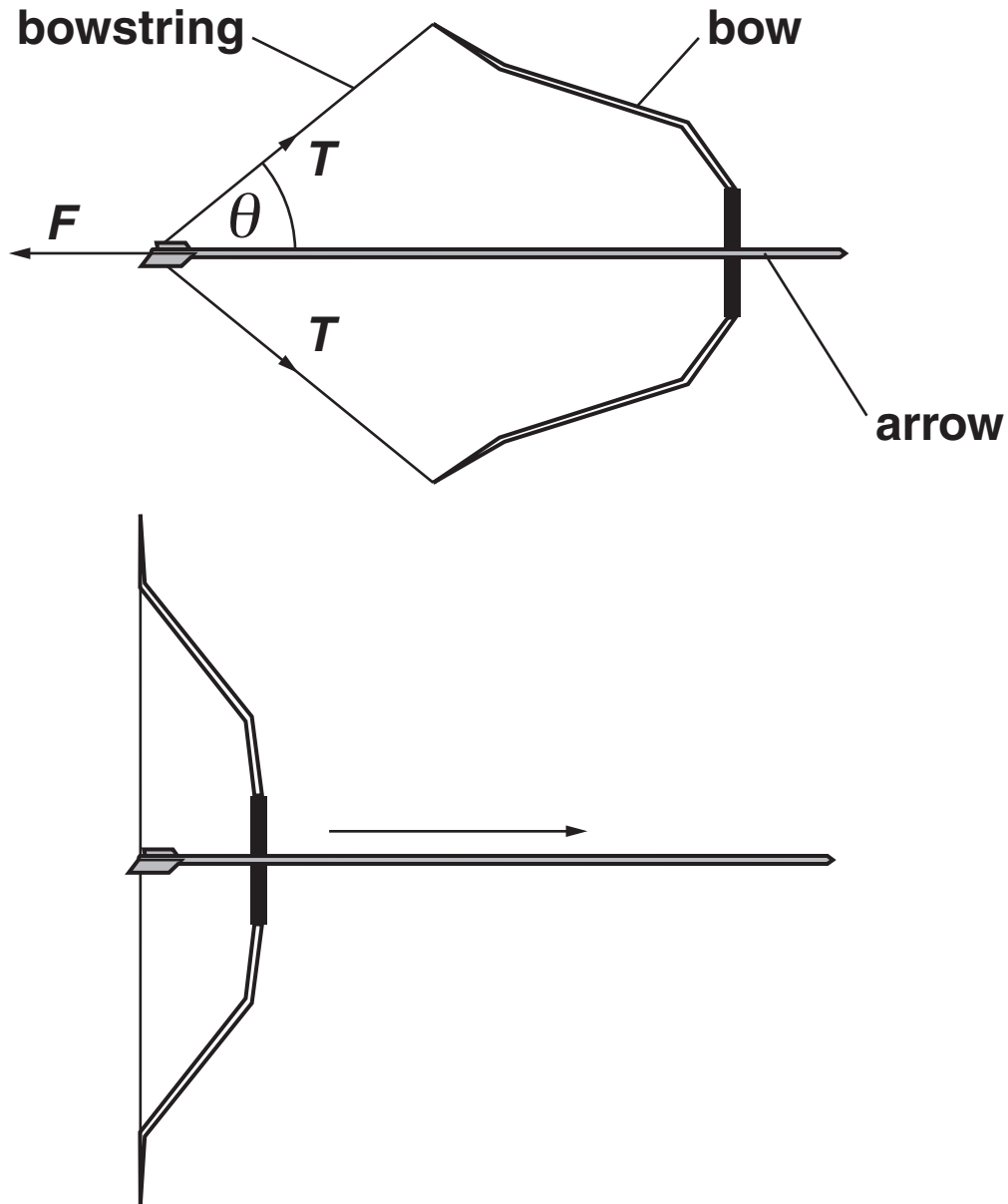


Fig. 11.1

- (a) (i) Explain why the horizontal component of T is equal to $\frac{1}{2}F$.**

[2]

- (ii) When the archer is pulling back the bowstring with a force F of 140 N, the angle $\theta = 36^\circ$. Show that the tension in the bowstring is about 90 N.**

[2]

(b) When the arrow is released, it is accelerated by the string over a distance of 0.80 m.

**(i) Assume the arrow is accelerated by an average force of 85 N.
Calculate the kinetic energy gained by the arrow when it is released.**

kinetic energy gained = _____ J [1]

- (ii) Explain why the accelerating force changes from 140N as the bowstring moves forward.

In your answer, consider different factors which may affect the accelerating force, and how they change during the release of the arrow.



You should organise your answer clearly and coherently.

[3]

[Total: 8]

[Section B Total: 40]

BLANK PAGE

SECTION C

12 This question is based on the article *Uncertainty, range bars and best-fit lines*.

A student used the arrangement in Fig. 12.1 to investigate how the change in gravitational potential energy is related to the gain in kinetic energy.

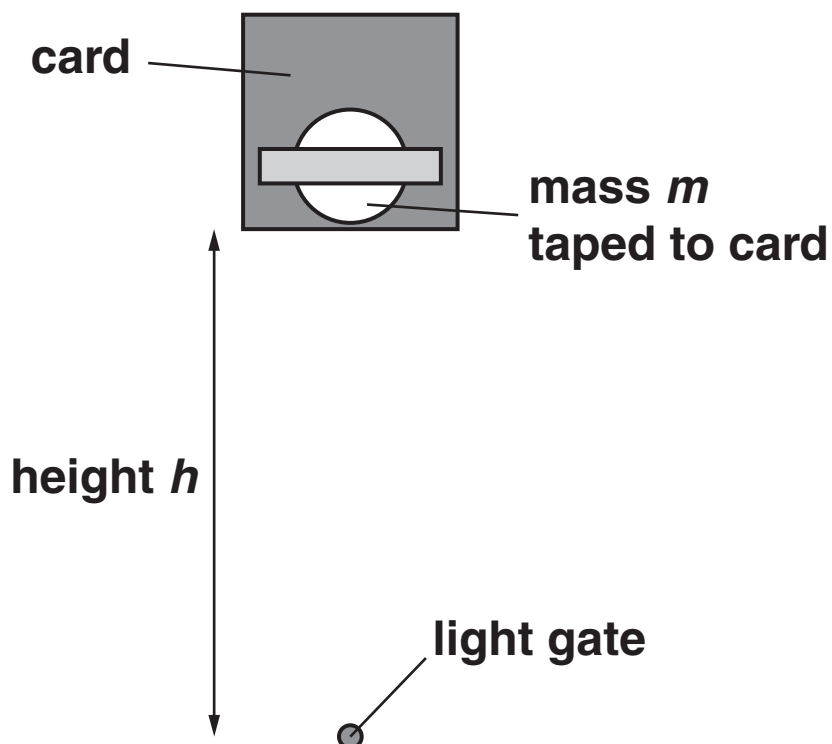


Fig. 12.1

He dropped the weighted card five times from eight different heights above the light gate, and recorded the speed of the card as it passed through the gate. He used the principle of conservation of energy to write:

$$\frac{1}{2}mv^2 = mgh \quad \text{and so} \quad v^2 = 2gh$$

From his readings of v , he found the range in the value of v^2 for each height, and plotted the graph of Fig. 12.2.

(a) The table below shows five values for v when $h = 0.30$ m.

Use these values to confirm the range bar in v^2 for $h = 0.30$ m on the graph of Fig. 12.2 opposite.

$v / \text{m s}^{-1}$	2.70	2.52	2.68	2.72	2.54
-----------------------	------	------	------	------	------

[3]

(b) The student measured the position of the bottom of the card to ± 0.5 mm.

Suggest and explain a reason why he did not include range bars for h on the graph.

[2]

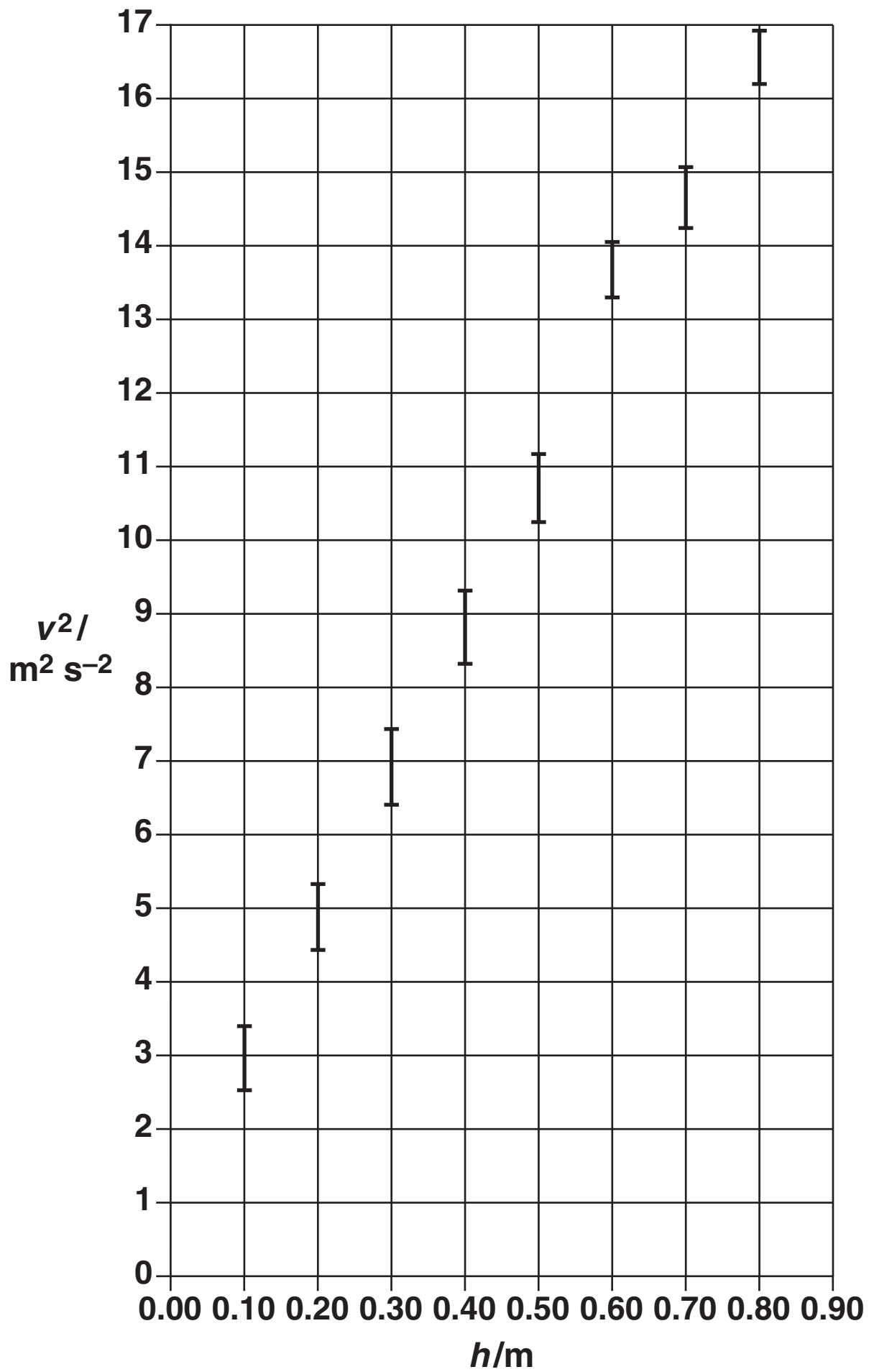


Fig. 12.2

- (c) Draw a best-fit straight line for the data on the graph. Determine the gradient of your best-fit straight line. Write down any assumption that you make.

gradient = _____ m s^{-2} [4]

- (d) As $v^2 = 2gh$, the graph of v^2 against h should give a straight line through the origin. The graph is a straight line, but it does NOT go through the origin.

- (i) The student suggests that energy losses as the weighted card fell are responsible. Explain why this cannot be correct.

[2]

- (ii) By reference to the experimental arrangement (Fig. 12.1), suggest a possible systematic error, and explain why it would give a positive intercept on the v^2 axis.**

[2]

[Total: 13]

13 This question is about the article *Young's Double-Slit experiment*.

(a) The Young's double-slit equation $\lambda = \frac{dx}{L}$ applies only if the angle θ is small enough so that $\sin \theta = \frac{x}{L}$ (Fig. 13.1).

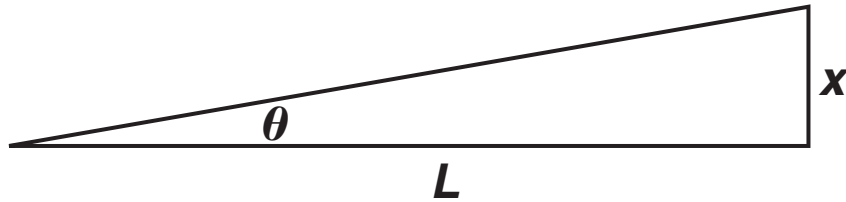


Fig. 13.1

Show that, for $x = 0.01$ m and $L = 1.0$ m, $\sin \theta = \frac{x}{L}$ is an extremely good approximation.

[2]

- (b) Using the classroom arrangement shown in Fig. 2 in the article, a student observed the pattern of fringes in Fig. 13.2 on the screen when a yellow filter was placed in front of the lamp filament. She decided that there was an uncertainty of ± 1 mm in determining the position of the centre of each maximum, giving an uncertainty of ± 2 mm in the separation between two of them.

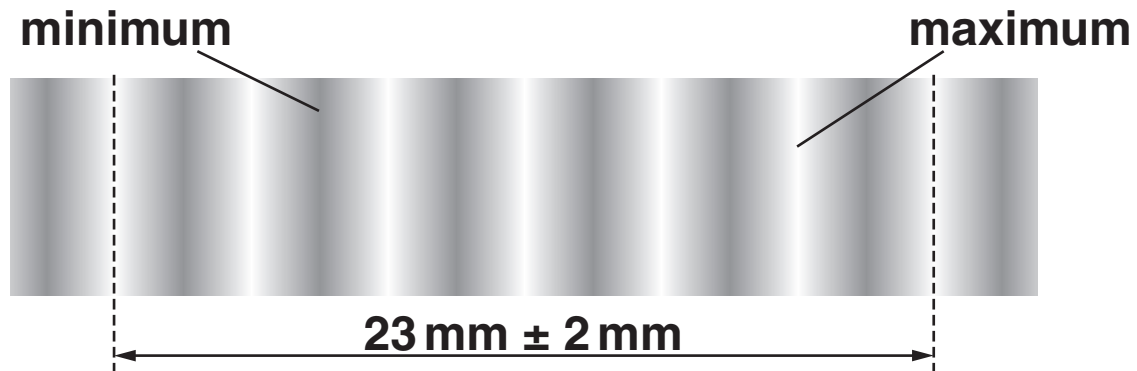


Fig. 13.2

- (i) The measurements on the diagram give calculated values of $3.83333333 \pm 0.33333333$ mm for the mean value and uncertainty in the separation x between maxima.

Write down the mean value and uncertainty to an appropriate number of significant figures.

$x =$ _____ \pm _____ mm [2]

- (ii) The distance d between the two slits was 0.25 ± 0.01 mm.
Which of the two measurements, d or x , contributes the greater uncertainty to a calculation of the wavelength, λ ?
Justify your answer.

[3]

- (iii) The distance L from slits to screen was 1.72 m, measured to the nearest cm.
Although the uncertainty in L was much larger than the uncertainties in d and x , it has less effect on the uncertainty in the final result.
Explain why.

[1]

- (iv) Use the equation $\lambda = \frac{dx}{L}$ to calculate the **SMALLEST** possible value for the wavelength of yellow light.
Take $L = 1.72$ m together with the mean values and uncertainties for d and x from (b)(i) and (ii).

smallest wavelength = _____ m [3]

- (v) The mean value for the wavelength of the yellow light calculated from the data in (b)(i) and (ii) is 5.60×10^{-7} m.
Use your answer to (b)(iv) to write down the uncertainty in wavelength $\Delta\lambda$.

$\Delta\lambda =$ _____ m [1]

(c) It is difficult to scratch two slits very close together on the blackened microscope slide. If the slit separation d were doubled to 0.50 mm, the separation x of the fringes would fall to half the value in (b)(i). The uncertainties in the measured values d and x would not be changed. Explain why this would result in an increased uncertainty in the wavelength calculated.

[3]

[Total: 15]

BLANK PAGE

14 This question is about the article *Tycho Brahe: pushing the bounds of measurement*.

- (a) Show that Tycho's quadrant of radius 2.0 m had nearly 6 mm between its 10 arc-minute (sixths of a degree) divisions.**

[2]

- (b) Fig. 14.1 shows part of the scale of Brahe's large quadrant with the sight aimed at a planet.**

- (i) Calculate the reading shown in Fig. 14.1, opposite, in degrees. Express your answer to an appropriate number of significant figures.**

reading = _____ ° [3]

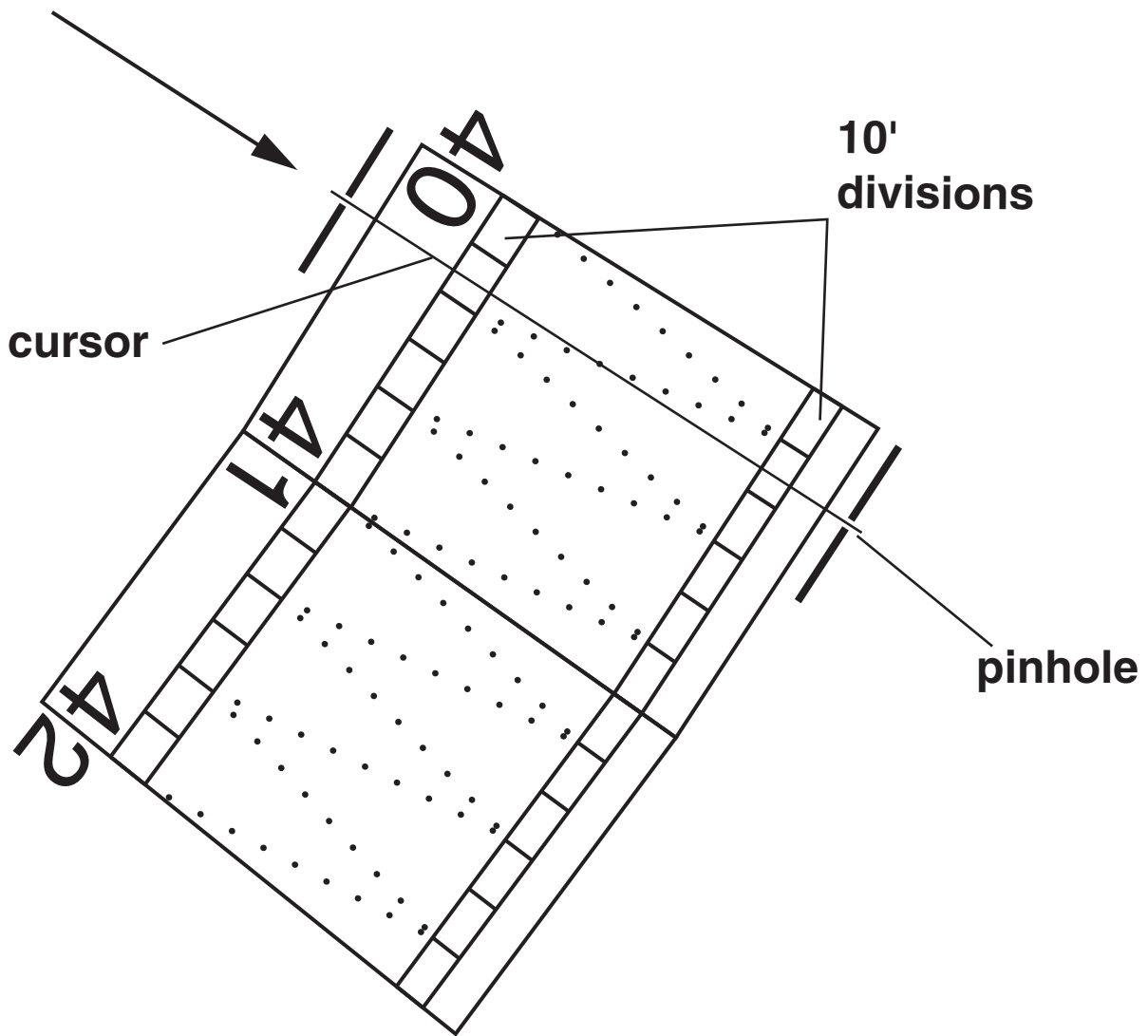


Fig 14.1

(ii) The scale can be read to the nearest minute of arc ($\frac{1}{60}^\circ$).

Calculate the percentage uncertainty in the reading in Fig. 14.1.

percentage uncertainty = _____ [2]

- (c) Brahe repeated his observations a number of times.
Explain the advantages of repeating readings.**

[3]

- (d) Although Brahe was primarily interested in the movements of the planets, he made a number of observations of fixed stars. Suggest reasons why he did this.**

[2]

[Total: 12]

[Section C Total: 40]

END OF QUESTION PAPER

BLANK PAGE

Copyright Information

OCR is committed to seeking permission to reproduce all third-party content that it uses in its assessment materials. OCR has attempted to identify and contact all copyright holders whose work is used in this paper. To avoid the issue of disclosure of answer-related information to candidates, all copyright acknowledgements are reproduced in the OCR Copyright Acknowledgements Booklet. This is produced for each series of examinations and is freely available to download from our public website (www.ocr.org.uk) after the live examination series.

If OCR has unwittingly failed to correctly acknowledge or clear any third-party content in this assessment material, OCR will be happy to correct its mistake at the earliest possible opportunity.

For queries or further information please contact the Copyright Team, First Floor, 9 Hills Road, Cambridge CB2 1GE.

OCR is part of the Cambridge Assessment Group; Cambridge Assessment is the brand name of University of Cambridge Local Examinations Syndicate (UCLES), which is itself a department of the University of Cambridge.