

Write your name here	
Surname	Other names
Centre Number	Candidate Number
Edexcel GCE	
<h1>Physics</h1> <h2>Advanced</h2> <h3>Unit 4: Physics on the Move</h3>	
Tuesday 21 June 2011 – Morning Time: 1 hour 35 minutes	Paper Reference <b>6PH04/01</b>
<b>You must have:</b> Ruler	Total Marks

### Instructions

- Use **black** ink or ball-point pen.
- **Fill in the boxes** at the top of this page with your name, centre number and candidate number.
- Answer **all** questions.
- Answer the questions in the spaces provided  
– *there may be more space than you need.*

### Information

- The total mark for this paper is 80.
- The marks for **each** question are shown in brackets  
– *use this as a guide as to how much time to spend on each question.*
- Questions labelled with an **asterisk** (\*) are ones where the quality of your written communication will be assessed  
– *you should take particular care with your spelling, punctuation and grammar, as well as the clarity of expression, on these questions.*
- The list of data, formulae and relationships is printed at the end of this booklet.
- Candidates may use a scientific calculator.

### Advice

- Read each question carefully before you start to answer it.
- Keep an eye on the time.
- Try to answer every question.
- Check your answers if you have time at the end.

Turn over ►

P38416A

©2011 Edexcel Limited.  
1/1/1/1/1/1/



edexcel   
advancing learning, changing lives

**SECTION A**

**Answer ALL questions.**

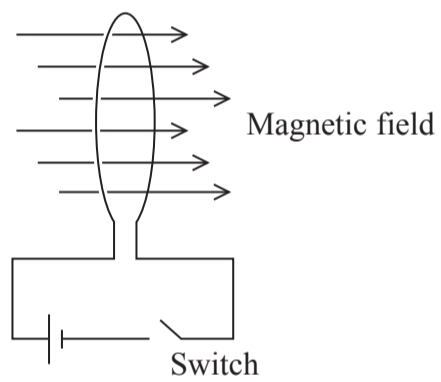
**For questions 1–10, in Section A, select one answer from A to D and put a cross in the box ☒. If you change your mind, put a line through the box ~~☒~~ and then mark your new answer with a cross ☒.**

**1** A body is falling freely under gravity. The rate at which the body's momentum is changing is equal to its

- A** acceleration.
- B** kinetic energy.
- C** potential energy.
- D** weight.

**(Total for Question 1 = 1 mark)**

**2** A circular loop of thin wire is placed so that its plane is perpendicular to a magnetic field as shown.



As the switch is closed, the loop of wire will

- A** become a circle of smaller radius.
- B** not change.
- C** rotate about its centre.
- D** rotate so that its plane is parallel to the field.

**(Total for Question 2 = 1 mark)**

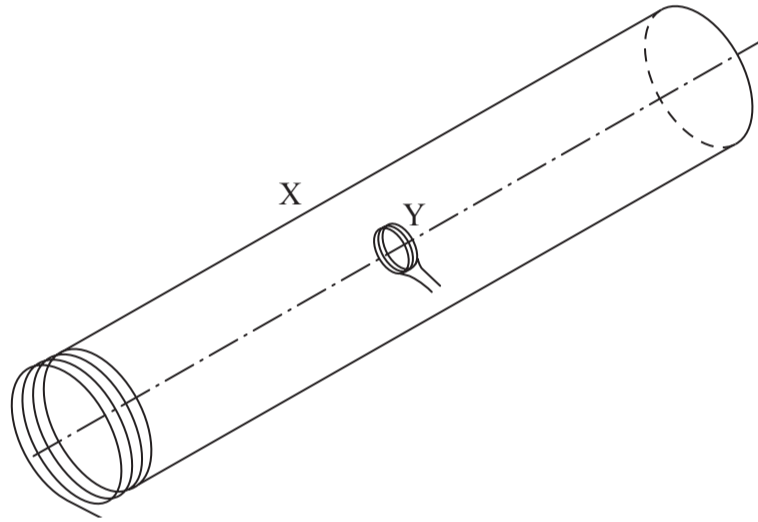


3 The unit of the time constant for a resistor-capacitor circuit is

- A  $\Omega F^{-1}$
- B  $\Omega C$
- C s
- D s F

(Total for Question 3 = 1 mark)

4 The diagram represents two coils. Coil X has 1000 turns and a cross-sectional area of  $10 \text{ cm}^2$ . It is carrying a current which produces a field of magnetic flux density  $0.002 \text{ T}$ . Coil Y has 50 turns and a cross-sectional area of  $4 \text{ cm}^2$ .



The flux linkage with coil Y is

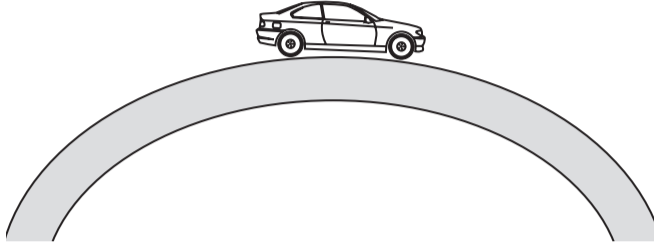
- A  $0.4 \text{ Wb}$
- B  $2 \times 10^{-3} \text{ Wb}$
- C  $4 \times 10^{-5} \text{ Wb}$
- D  $8 \times 10^{-7} \text{ Wb}$

(Total for Question 4 = 1 mark)



P 3 8 4 1 6 A 0 3 2 4

5 A car, mass  $m$ , drives over a circular hump-back bridge of radius  $r$  with a constant speed  $v$ .



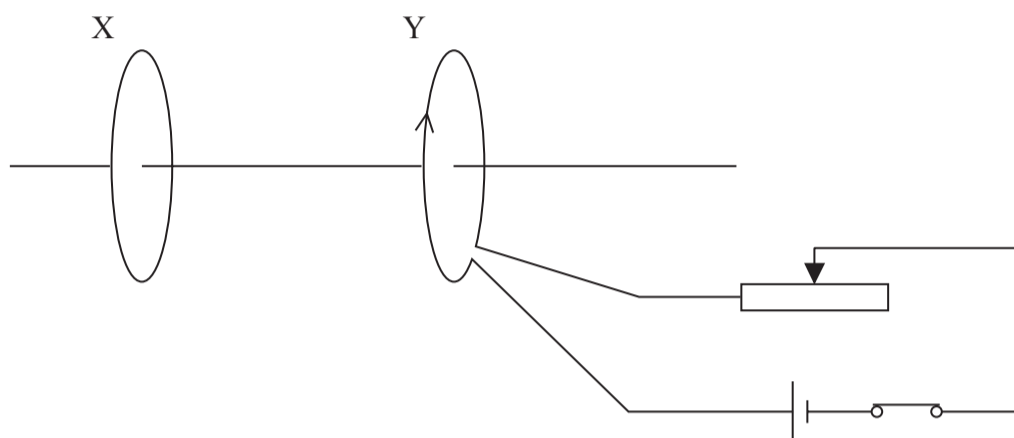
When it is at the top of the bridge, the force on the car from the bridge is given by

- A  $mg$
- B  $\frac{mv^2}{r} + mg$
- C  $\frac{mv^2}{r} - mg$
- D  $mg - \frac{mv^2}{r}$

(Total for Question 5 = 1 mark)



- 6 The diagram represents two identical coils X and Y. The planes of both coils are parallel and their centres lie on a common axis.



Coil Y is connected to a cell, a variable resistor and a closed switch.

Under which of the following circumstances would a current be induced in coil X in the same direction as the current shown in coil Y?

- A The coils are moved closer together.
- B The switch is opened.
- C The resistance of the variable resistor is decreased.
- D No change is made to the arrangement.

(Total for Question 6 = 1 mark)

- 7 A proton is moving in a circle, radius 1.5 m, within a magnetic field of flux density 0.020 T. The speed of the proton is

- A  $4.8 \times 10^{-21} \text{ m s}^{-1}$
- B  $2.9 \times 10^6 \text{ m s}^{-1}$
- C  $5.3 \times 10^9 \text{ m s}^{-1}$
- D  $1.8 \times 10^{25} \text{ m s}^{-1}$

(Total for Question 7 = 1 mark)



8 A positron is found to have a mass of  $1.8 \times 10^{-29}$  kg. It can be concluded that this positron is

- A a proton.
- B travelling at close to the speed of light.
- C travelling at a non-relativistic speed.
- D travelling in a circle.

(Total for Question 8 = 1 mark)

9 The mass in  $\text{MeV}/c^2$  of a  $1.8 \times 10^{-29}$  kg positron is

- A 10
- B  $3.2 \times 10^{-59}$
- C  $3.3 \times 10^{-8}$
- D  $1.0 \times 10^7$

(Total for Question 9 = 1 mark)

10 The Large Hadron Collider is designed to accelerate protons to very high energies for particle physics experiments. Very high energies are required to

- A annihilate hadrons.
- B collide hadrons.
- C create particles with large mass.
- D produce individual quarks.

(Total for Question 10 = 1 mark)

**TOTAL FOR SECTION A = 10 MARKS**



**SECTION B**

**Answer ALL questions in the spaces provided.**

**11** The de Broglie wave equation can be written  $\lambda = \sqrt{\frac{h^2}{2mE_k}}$  where  $m$  is the mass of a particle and  $E_k$  is its kinetic energy.

(a) Derive this equation. Use the list of equations at the end of this question paper.

(2)

.....

.....

.....

.....

.....

.....

.....

(b) An electron is accelerated through a potential difference of 2500 V.

Using the equation  $\lambda = \sqrt{\frac{h^2}{2mE_k}}$  calculate the de Broglie wavelength of this electron.

(3)

.....

.....

.....

.....

.....

.....

.....

.....

Wavelength = .....

**(Total for Question 11 = 5 marks)**

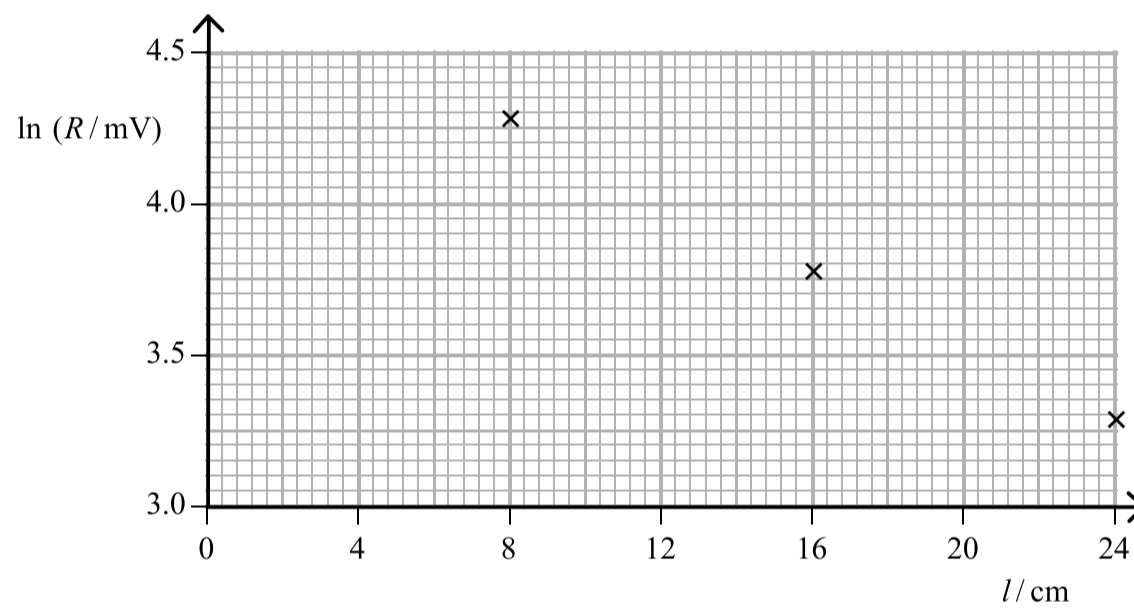


12 A student carries out a practical involving a length of jelly. She places an infrared transmitter at one end and a receiver at the other. She obtains the following results.

Length of jelly $l$ / cm	Receiver reading $R$ / mV	$\ln(R / \text{mV})$
8.0	72	4.28
12.0	57	
16.0	43	3.76
20.0	33	
24.0	26	3.26

(a) Complete the table above and the graph below.

(2)



(b) The student reads that infrared light in jelly can be mathematically modelled using the equation  $R = R_0 e^{-\mu l}$  where  $\mu$  is a constant.

Use your graph to determine a value of  $\mu$  for the jelly.

(2)

.....

.....

.....

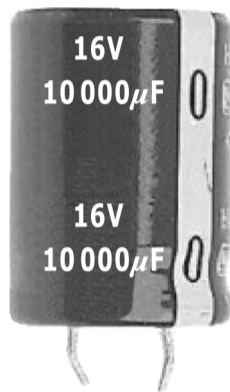
$\mu =$  .....

**(Total for Question 12 = 4 marks)**





13 A student needs to order a capacitor for a project. He sees this picture on a web site accompanied by this information: capacitance tolerance  $\pm 20\%$ .



Taking the tolerance into account, calculate

(a) the maximum charge a capacitor of this type can hold.

(3)

.....

.....

.....

.....

.....

Maximum charge = .....

(b) the maximum energy it can store.

(2)

.....

.....

.....

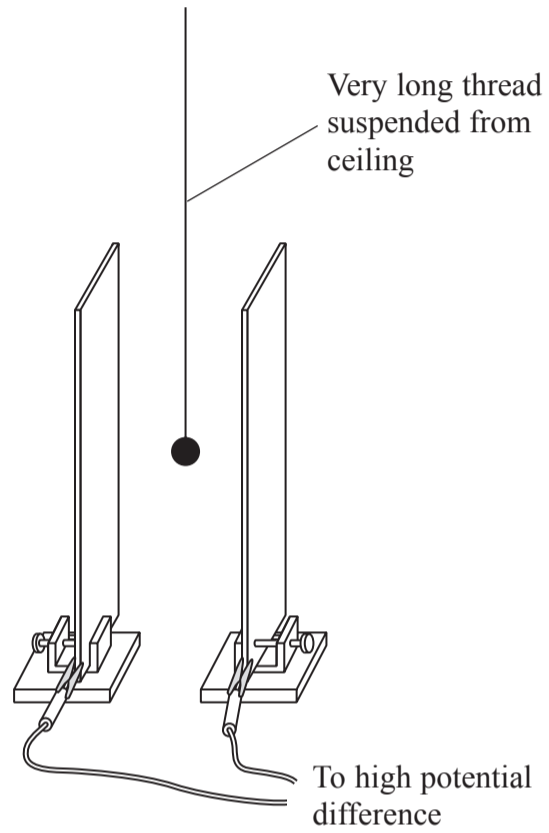
.....

Maximum energy = .....

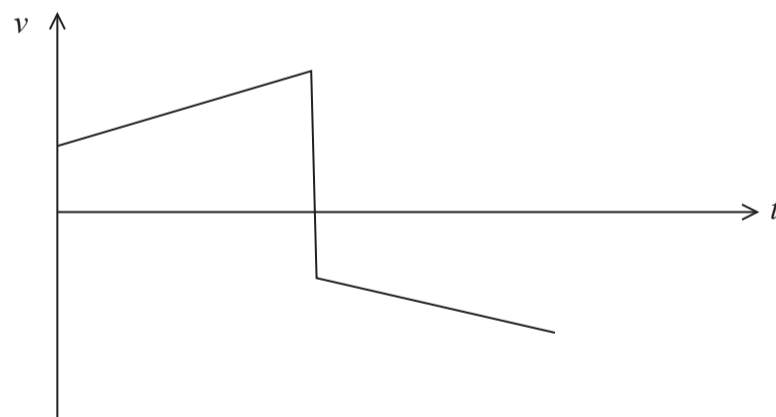
**(Total for Question 13 = 5 marks)**



\*14 A student has been asked to talk to her class about electric fields. As part of her presentation she hangs a table tennis ball, covered in a carbon coating, between two parallel plates connected to a high potential difference.



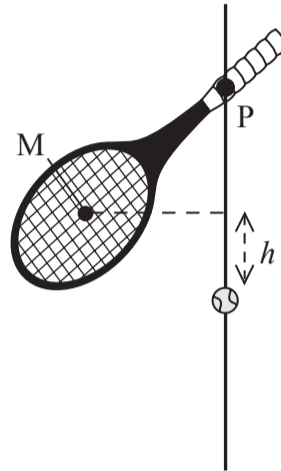
She pulls the ball across so that it touches one of the plates and then releases it. The ball then continues to bounce between the two plates. She sketches a graph of velocity  $v$  of the ball with time  $t$  from the time the ball leaves a plate until it returns.



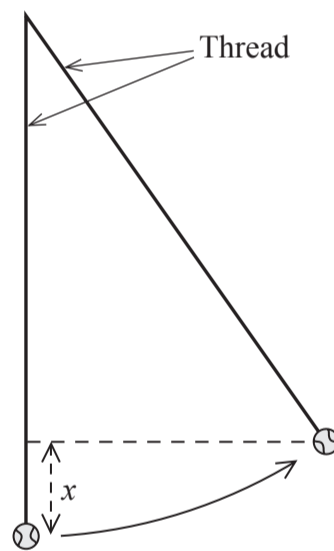


15 A student is carrying out an investigation into collisions between a bat and a ball.

The bat is pivoted at a point P so that it can swing freely. The centre of mass M of the bat swings through an arc and hits the ball. M moves through a height  $h$  as shown below.



The ball is suspended vertically by a thread. The bat hits the ball which swings to a maximum height  $x$ .



One set of measurements is  $h = 0.030 \text{ m}$   $x = 0.10 \text{ m}$

(a) Show that the speed of M just before the collision is about  $0.8 \text{ m s}^{-1}$ .

(2)

.....

.....

.....

.....





16 (a) Sketch the electric field surrounding the gold nucleus drawn below.

(3)



(b) The spreadsheet shown approximately models the behaviour of an alpha particle as it approaches a gold nucleus.

The proton number of gold is 79.  
mass of alpha particle =  $6.64 \times 10^{-27}$  kg

	A	B	C	D	E
1	Distance from gold nucleus / m	Magnitude of force on alpha particle / N	Time interval / s	Velocity at end of time interval / $\text{m s}^{-1}$	Displacement of alpha particle in time interval / m
2	8.60E-14	4.92E+00	1.00E-21	1.53E+07	1.56E-14
3	7.04E-14	7.34E+00	1.00E-21	1.42E+07	1.47E-14
4	5.57E-14	1.17E+01	1.00E-21	1.24E+07	1.33E-14
5	4.24E-14	2.02E+01	1.00E-21	9.34E+06	1.09E-14
6	3.15E-14	3.66E+01	1.00E-21	3.83E+06	6.58E-15
7	2.49E-14	5.84E+01	1.00E-21	-4.97E+06	-5.69E-16
8	2.55E-14	5.59E+01	1.00E-21	-1.34E+07	-9.18E-15
9	3.47E-14	3.02E+01	1.00E-21	-1.79E+07	-1.57E-14
10	5.03E-14	1.43E+01	1.00E-21	-2.01E+07	-1.90E-14

(i) Show how cell B3 is calculated.

(2)

.....

.....

.....

.....



(ii) Show how cell D5 is calculated.

(3)

.....

.....

.....

(iii) Show how cell E6 is calculated.

(2)

.....

.....

(iv) Suggest a value for the maximum radius of a gold nucleus based on the results from this spreadsheet.

(1)

Maximum radius = .....

\*(c) Describe the conclusions Rutherford reached about the structure of gold atoms as a result of the alpha particle scattering experiments.

(3)

.....

.....

.....

.....

.....

.....

.....

.....

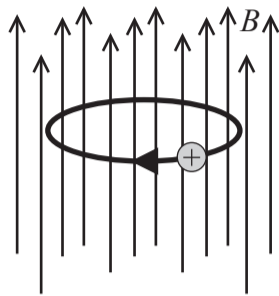
.....

.....

**(Total for Question 16 = 14 marks)**



17 A strong magnetic field of flux density  $B$  can be used to trap a positive ion by making it follow a circular orbit as shown.



(a) Explain how the magnetic field maintains the ion in a circular orbit. You may add to the diagram above if you wish.

(2)

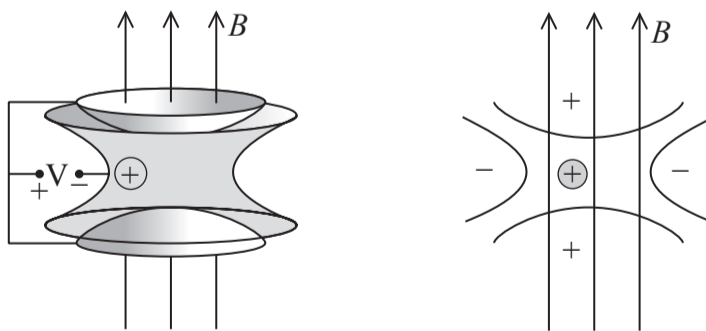
(b) Show that the mass  $m$  of the ion will be given by

$$m = \frac{Bq}{2\pi f}$$

where  $q$  is the charge on the ion and  $f$  is the number of revolutions per second.

(3)

(c) The above arrangement will not prevent a positive ion from moving vertically. To do this, a weak electric field is applied using the arrangement shown below.





(i) Explain how the electric field prevents the ion moving vertically.

(2)

.....

.....

.....

(ii) This device is known as a Penning Trap. It can be used to determine the mass of an ion to an accuracy of 3 parts in 10 million.

Confirm that the mass of a sulphur ion can be measured to the nearest 0.00001u.

mass of sulphur ion = 32.0645u

(2)

.....

.....

(iii) Under certain conditions nuclei of sulphur emit a gamma ray with a known energy of 2.2 MeV.

Calculate the resulting loss in mass of a sulphur ion in u and confirm that this value could be determined by the Penning Trap technique.

(4)

.....

.....

.....

.....

.....

.....

.....

.....

**(Total for Question 17 = 13 marks)**



18 Evidence for a charm quark was discovered in 1974 at the linear accelerator (linac) at Stanford University.

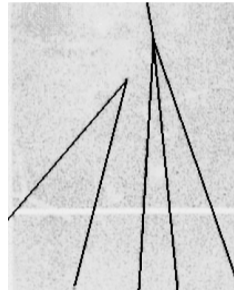
(a) Why do the tubes of a linac become progressively longer down its length?

(1)

.....

.....

(b) This image shows the decay of a  $D^0$  meson into a positively charged kaon and a negatively charged pion.



(i) Mark on the image the point P at which this decay occurs.

(1)

(ii) Give **two** reasons for choosing this point.

(2)

.....

.....

.....

(iii) Write an equation for this decay event.

(2)

.....

.....

.....



\* (iv) State and discuss how three conservation laws apply to this decay event.

(6)

.....

.....

.....

.....

.....

.....

.....

.....

.....

.....

.....

.....

.....

.....

.....

.....

.....

.....

.....

.....

.....

.....

**Question 18 continues on the next page**



(c) The table below shows some quarks and their properties.

Quark	Charge / $e$
Up (u)	$+\frac{2}{3}$
Down (d)	$-\frac{1}{3}$
Strange (s)	$-\frac{1}{3}$
Charm (c)	$+\frac{2}{3}$

(i) Circle the correct combination of quarks in the list below which corresponds to a  $D^0$  meson.

(1)

$c\bar{u}$        $cds$        $c\bar{s}$        $cud$

(ii) Suggest a possible quark combination of the positively charged kaon.

(1)

(Total for Question 18 = 14 marks)

**TOTAL FOR SECTION B = 70 MARKS**

**TOTAL FOR PAPER = 80 MARKS**



**List of data, formulae and relationships**

Acceleration of free fall	$g = 9.81 \text{ m s}^{-2}$	(close to Earth's surface)
Boltzmann constant	$k = 1.38 \times 10^{-23} \text{ J K}^{-1}$	
Coulomb's law constant	$k = 1/4\pi\epsilon_0$ $= 8.99 \times 10^9 \text{ N m}^2 \text{ C}^{-2}$	
Electron charge	$e = -1.60 \times 10^{-19} \text{ C}$	
Electron mass	$m_e = 9.11 \times 10^{-31} \text{ kg}$	
Electronvolt	$1 \text{ eV} = 1.60 \times 10^{-19} \text{ J}$	
Gravitational constant	$G = 6.67 \times 10^{-11} \text{ N m}^2 \text{ kg}^{-2}$	
Gravitational field strength	$g = 9.81 \text{ N kg}^{-1}$	(close to Earth's surface)
Permittivity of free space	$\epsilon_0 = 8.85 \times 10^{-12} \text{ F m}^{-1}$	
Planck constant	$h = 6.63 \times 10^{-34} \text{ J s}$	
Proton mass	$m_p = 1.67 \times 10^{-27} \text{ kg}$	
Speed of light in a vacuum	$c = 3.00 \times 10^8 \text{ m s}^{-1}$	
Stefan-Boltzmann constant	$\sigma = 5.67 \times 10^{-8} \text{ W m}^{-2} \text{ K}^{-4}$	
Unified atomic mass unit	$u = 1.66 \times 10^{-27} \text{ kg}$	

**Unit 1**

*Mechanics*

Kinematic equations of motion	$v = u + at$ $s = ut + \frac{1}{2}at^2$ $v^2 = u^2 + 2as$
Forces	$\Sigma F = ma$ $g = F/m$ $W = mg$
Work and energy	$\Delta W = F\Delta s$ $E_k = \frac{1}{2}mv^2$ $\Delta E_{\text{grav}} = mg\Delta h$

*Materials*

Stokes' law	$F = 6\pi\eta rv$
Hooke's law	$F = k\Delta x$
Density	$\rho = m/V$
Pressure	$p = F/A$
Young modulus	$E = \sigma/\epsilon$ where Stress $\sigma = F/A$ Strain $\epsilon = \Delta x/x$
Elastic strain energy	$E_{\text{el}} = \frac{1}{2}F\Delta x$



## Unit 2

### Waves

Wave speed	$v = f\lambda$
Refractive index	${}_1\mu_2 = \sin i / \sin r = v_1/v_2$

### Electricity

Potential difference	$V = W/Q$
Resistance	$R = V/I$
Electrical power, energy and efficiency	$P = VI$ $P = I^2R$ $P = V^2/R$ $W = VIt$  $\% \text{ efficiency} = \frac{\text{useful energy output}}{\text{energy input}} \times 100$  $\% \text{ efficiency} = \frac{\text{useful power output}}{\text{power input}} \times 100$

Resistivity	$R = \rho l/A$
Current	$I = \Delta Q/\Delta t$ $I = nqvA$
Resistors in series	$R = R_1 + R_2 + R_3$
Resistors in parallel	$\frac{1}{R} = \frac{1}{R_1} + \frac{1}{R_2} + \frac{1}{R_3}$

### Quantum physics

Photon model	$E = hf$
Einstein's photoelectric equation	$hf = \phi + \frac{1}{2}mv_{\text{max}}^2$



## Unit 4

### Mechanics

Momentum	$p = mv$
Kinetic energy of a non-relativistic particle	$E_k = p^2/2m$
Motion in a circle	$v = \omega r$ $T = 2\pi/\omega$ $F = ma = mv^2/r$ $a = v^2/r$ $a = r\omega^2$

### Fields

Coulomb's law	$F = kQ_1Q_2/r^2$ where $k = 1/4\pi\epsilon_0$
Electric field	$E = F/Q$ $E = kQ/r^2$ $E = V/d$
Capacitance	$C = Q/V$
Energy stored in capacitor	$W = \frac{1}{2}QV$
Capacitor discharge	$Q = Q_0e^{-t/RC}$
In a magnetic field	$F = BIl \sin \theta$ $F = Bqv \sin \theta$ $r = p/BQ$
Faraday's and Lenz's Laws	$\epsilon = -d(N\phi)/dt$

### Particle physics

Mass-energy	$\Delta E = c^2 \Delta m$
de Broglie wavelength	$\lambda = h/p$



P 3 8 4 1 6 A 0 2 3 2 4

**BLANK PAGE**

