



UNIVERSITY OF CAMBRIDGE INTERNATIONAL EXAMINATIONS  
General Certificate of Education  
Advanced Subsidiary Level and Advanced Level

---

**PHYSICS**

**9702/33**

Paper 31 Advanced Practical Skills 1

**May/June 2010**

CONFIDENTIAL INSTRUCTIONS



**Great care should be taken to ensure that any confidential information given does not reach the candidates either directly or indirectly.**

**No access to the Question Paper is permitted in advance of the examination.**

---

If you have any problems or queries regarding these Instructions, please contact CIE  
by e-mail: [international@cie.org.uk](mailto:international@cie.org.uk),  
by phone: +44 1223 553554,  
by fax: +44 1223 553558,  
stating the Centre number, the nature of the query and the syllabus number quoted above.

---

This document consists of **7** printed pages and **1** blank page.



## Preparing apparatus

These instructions detail the apparatus required for the experiments in the Question Paper. It is essential that absolute confidentiality is maintained in advance of the examination: the contents of these instructions must not be revealed either directly or indirectly to candidates.

No access is permitted to the Question Paper in advance of the examination.

If you have problems or queries regarding these instructions, please contact CIE:

by e-mail: international@cie.org.uk,  
or by telephone: +44 1223 553554,  
or by fax: +44 1223 553558,

stating the nature of the query and quoting the syllabus and paper numbers (9702/33).

It is assumed that the ordinary apparatus of a Physics laboratory will be available.

## Number of sets of apparatus

The number of sets of apparatus provided for each experiment should be  $\frac{1}{2}N$ , where  $N$  is the number of candidates taking the examination. There should, in addition, be a few spare sets of apparatus available in case problems arise during the examination.

## Organisation of the examination

Candidates should be allowed access to the apparatus for each experiment for one hour only. After spending one hour on one experiment, candidates should change over to the other experiment. The order in which a candidate attempts the two experiments is immaterial.

## Assistance to Candidates

Candidates should be informed that, if they find themselves in real difficulty, they may ask the Supervisor for practical assistance, but that the extent of this assistance will be reported to the Examiner, who may make a deduction of marks.

Assistance should only be given:

when it is asked for by a candidate,  
or as directed in the Notes sections of these instructions,  
or where apparatus is seen to have developed a fault.

Assistance should be restricted to enabling candidates to make observations and measurements. Observations and measurements must not be made for candidates, and no help should be given with data analysis or evaluation.

All assistance given to candidates must be reported on the Supervisor's Report Form.

## Faulty apparatus

In cases of faulty apparatus (not arising from a candidate's mishandling) that prevent the required measurements being taken, the Supervisor may allow extra time to give the candidate a fair opportunity to perform the experiment as if the fault had not been present. The candidate should use a spare copy of the Question Paper when the fault has been rectified or when working with a second set of apparatus.

## Supervisor's Report

The Supervisor should complete the Supervisor's Report Form on pages 7 and 8 and enclose it in the envelope containing the answers of the candidates. If more than one envelope is used, a copy of the report must be enclosed in each envelope.

**Question 1****Apparatus requirements (per set of apparatus unless otherwise specified).**

0–12V D.C. variable power supply (continuous or stepped with 1V steps or smaller).

Switch.

Semiconductor diode, mounted with terminals labelled A and B. See Note 1.

220 $\Omega$  resistor (rated to at least 0.5W), mounted with terminals.

Thermometer with a range of at least 0 $^{\circ}$ C to 100 $^{\circ}$ C, reading to 1 $^{\circ}$ C or better.

D.C. voltmeter (analogue or digital) with at least 0–1V range reading to 0.01V or better. See Note 2.

D.C. ammeter (analogue or digital) with at least 0–50mA range reading to 1mA or better. See Note 2.

Eight connecting leads suitable for the candidate to make connections between the components.

**Notes**

- 1 The following diodes are suitable and are all available from suppliers such as Maplin ([www.maplin.co.uk](http://www.maplin.co.uk)), Rapid Electronics ([www.rapidonline.com](http://www.rapidonline.com)) or RS ([www.rswww.com](http://www.rswww.com)):  
1N4148  
1N4001

On the mount, the end of the diode with a thick black line should be labelled B and the other end should be labelled A, as shown in Fig. 1.1.



**Fig. 1.1**

- 2 If a multimeter is used, it should be preset to the appropriate mode and range.
- 3 If the apparatus is to be used by a second candidate, then it should be dismantled and laid out on the bench.

**Information required by Examiners**

Sample set of numerical results, clearly labelled "Supervisor's Results" and obtained out of sight of the candidates.

**Question 2****Apparatus requirements (per set of apparatus unless otherwise specified).**

5 glass balls with diameter about 3 mm, in a small tray (e.g. a Petri dish). See Note 1.

5 larger glass balls with diameter about 5 mm, in a small tray (e.g. a Petri dish). See Note 1.

2 microscope slides.

Clear measuring cylinder about 40 cm high and about 5 cm diameter. See Note 2.

Enough vegetable oil (cooking oil) to fill the measuring cylinder to 1 cm from the top (see Notes 2 and 3).

Stopwatch reading to 0.1 s or better.

Manual vernier caliper (not digital); shared between two candidates if necessary.

Metre rule with a millimetre scale.

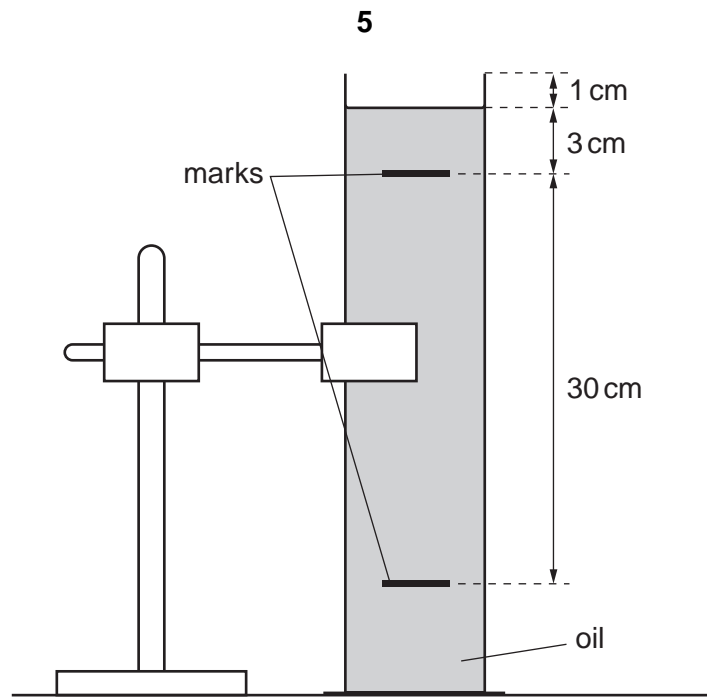
Protractor.

Retort stand, boss and clamp. See Note 2.

Paper towels.

**Notes**

- 1 Suitable glass balls are available from education suppliers such as Philip Harris (product code 02095) or Timstar (product codes SP13840 and SP13842). Candidates may ask for further glass balls, which the Supervisor should provide.
- 2 The measuring cylinder should be marked with two horizontal lines about 2 cm long and 30 cm apart, with the top line 4 cm from the top of the cylinder, as shown in Fig. 2.1.  
  
The measuring cylinder should be clamped halfway up to prevent it moving. The cylinder should then be filled with oil to 1 cm from the top, as shown in Fig. 2.1.
- 3 The vegetable oil should be transparent enough for the text of these Instructions to be seen through the filled measuring cylinder.
- 4 If the apparatus is to be used by a second candidate, a new supply of glass balls should be provided. It should not be necessary to remove any glass balls that are at the bottom of the measuring cylinder.



**Fig. 2.1**

**Information required by Examiners**

Sample set of numerical results, clearly labelled "Supervisor's Results" and obtained out of sight of the candidates.

**BLANK PAGE**

---

Permission to reproduce items where third-party owned material protected by copyright is included has been sought and cleared where possible. Every reasonable effort has been made by the publisher (UCLES) to trace copyright holders, but if any items requiring clearance have unwittingly been included, the publisher will be pleased to make amends at the earliest possible opportunity.

University of Cambridge International Examinations is part of the Cambridge Assessment Group. Cambridge Assessment is the brand name of University of Cambridge Local Examinations Syndicate (UCLES), which is itself a department of the University of Cambridge.

This form should be completed and sent to the Examiner with the scripts.

### SUPERVISOR'S REPORT FORM

#### General Certificate of Education Advanced Subsidiary Level and Advanced Level

#### May/June Session 2010

The Supervisor's Report should give full details of:

- (a) any help given to a candidate (including the nature of the help given and the name and candidate number of the candidate);
- (b) any cases of faulty apparatus (including the nature of the problem, the action taken to rectify it, any additional time allowed, and the name and candidate number of the candidate);
- (c) any accidents that occurred during the examination;
- (d) any other difficulties experienced by candidates, or any other information that is likely to assist the Examiner, especially if this information cannot be discovered in the scripts.

Cases of individual hardship, such as illness, bereavement or disability, should be reported direct to CIE on the normal Special Consideration form.

#### Information required by Examiners

For each question, please enclose a sample set of numerical results, obtained out of sight of the candidates and clearly labelled 'Supervisor's Results'.

#### Supervisor's Report



**Supervisor's Report (continued)**

**Declaration**

(to be signed by the Supervisor)

The preparation of this practical examination has been carried out so as to maintain fully the security of the examination.

Signed .....

Name .....

Centre Number .....

Name of Centre .....

