



Rewarding Learning

ADVANCED SUBSIDIARY (AS)
General Certificate of Education
January 2014

Centre Number

71	
----	--

Candidate Number

--

Physics

Assessment Unit AS 1

assessing

Module 1: Forces, Energy and Electricity

[AY111]



WEDNESDAY 15 JANUARY, MORNING

TIME

1 hour 30 minutes.

INSTRUCTIONS TO CANDIDATES

Write your Centre Number and Candidate Number in the spaces provided at the top of this page.

Answer **all eleven** questions.

Write your answers in the spaces provided in this question paper.

INFORMATION FOR CANDIDATES

The total mark for this paper is 75.

Quality of written communication will be assessed in Question 10.

Figures in brackets printed down the right-hand side of pages indicate the marks awarded to each question.

Your attention is drawn to the Data and Formulae Sheet which is inside this question paper.

You may use an electronic calculator.



8707.05R

For Examiner's use only

Question Number	Marks
1	
2	
3	
4	
5	
6	
7	
8	
9	
10	
11	

Total Marks

--

- 1 (a) Complete **Table 1.1** to show six of the fundamental quantities and their SI base units.

Table 1.1

Quantity	SI base unit
mass	kilogram
	metre
time	
current	
	kelvin
	mole

[2]

- (b) The joule is an SI derived unit. Express the joule in SI base units.

Base units = _____

[2]

Examiner Only	
Marks	Remark

Examiner Only	
Marks	Remark

2 (a) One method to determine the acceleration of free fall, g , in the laboratory uses an accurate timer and a small sphere.

(i) Name any other apparatus needed to determine g .

_____ [1]

(ii) Outline the method and state the measurements required to measure g accurately.

 _____ [2]

(iii) Explain how these measurements may be used to find the value of g .

 _____ [2]

(b) A parachutist jumps from an aeroplane and free falls before deploying his parachute. **Fig. 2.1** illustrates how his downward velocity varies with time **during free fall**.

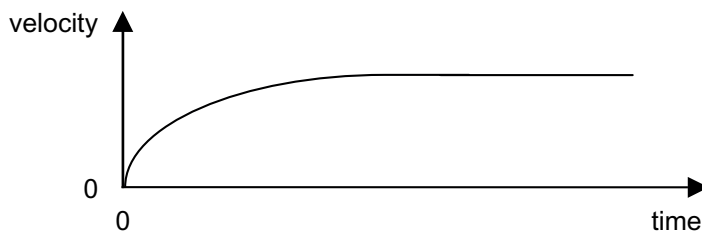


Fig. 2.1

Describe and explain the motion experienced by the parachutist during free fall.

 _____ [2]

4 (a) State Newton's Second Law of Motion.

_____ [2]

(b) A driver reacts to a hazard when at a speed of 18 ms^{-1} (about 40 miles per hour). His reaction time is such that he travels 12 m before the brakes are applied. Under ideal conditions the car then travels a further 24 m before coming to rest.

(i) Calculate the average braking force exerted while the car travels the 24 m before coming to rest if the car and passengers have a total mass of 880 kg.

Braking force = _____ N [3]

(ii) Under wet conditions the braking force is reduced **by** 40%. Find the total stopping distance, in the wet, from when the hazard is seen.

Stopping distance = _____ m [3]

Examiner Only	
Marks	Remark

5 When a house is extended a steel beam may be inserted between two adjacent walls. The beam is used to support two upstairs walls as shown in Fig. 5.1.

The upstairs walls exert loads of 2000 N and 800 N. The weight of the uniform steel beam is 8000 N and its length is 6.0 m.

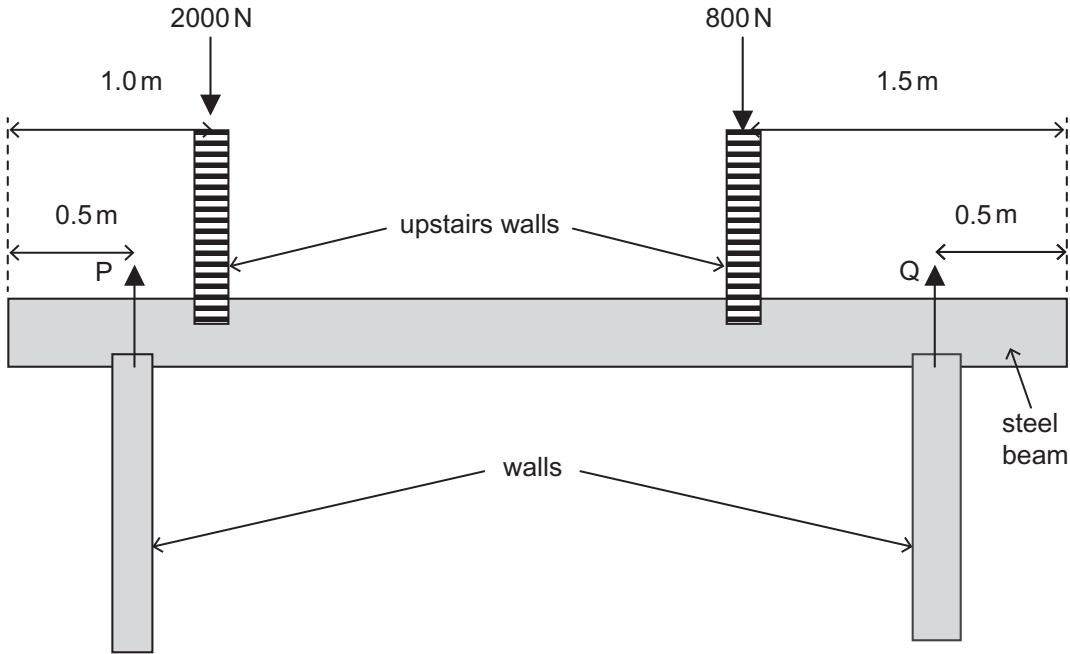


Fig. 5.1

(i) Calculate the total upward force provided by the two walls.

Total force = _____ N [1]

(ii) Calculate the magnitude of each of the upward forces, P and Q as shown in Fig. 5.1, exerted on the steel beam.

P = _____ N

Q = _____ N

[3]

Examiner Only	
Marks	Remark

(iv) The sidelights together use a total of 28 W. Calculate the power of each of the two headlights.

Power = _____ W

[1]

Examiner Only	
Marks	Remark

- 11 (a) In the circuit shown in Fig. 11.1 a four cell battery is connected to a $16.4\ \Omega$ resistance through a switch, s. Table 11.1 provides the meter readings with the switch open and closed.

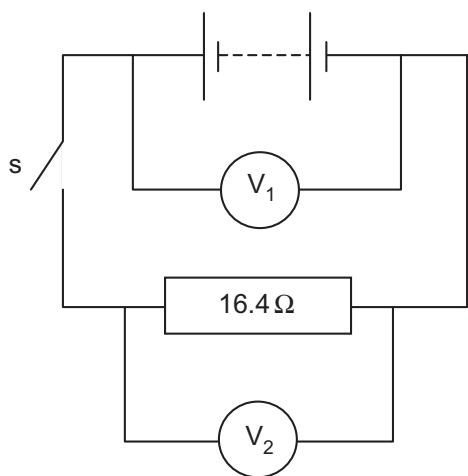


Fig. 11.1

Table 11.1

s	V_1	V_2
open	6.52 V	0.00 V
closed	5.33 V	5.33 V

- (i) Determine the average internal resistance of a cell.

Average internal resistance = _____ Ω [4]

- (ii) If this circuit was set up in reality, it is unlikely that the voltmeters would read exactly the same value with the switch closed. Which reading would be higher and why?

 _____ [1]

Examiner Only	
Marks	Remark

- (b) A potential divider is used to reduce an 18V supply to 5V for an electronic circuit. Two resistors, R_1 and R_2 , are needed.

Fig. 11.2 shows the arrangement so that the 5V is developed across the resistor R_2 .

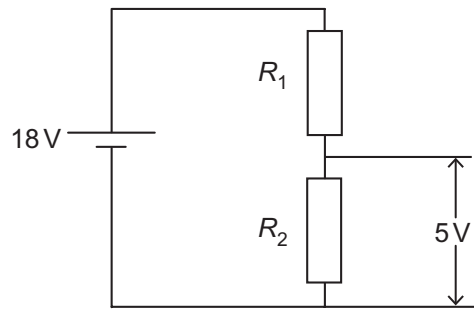


Fig. 11.2

- (i) Resistor R_2 has resistance $120\ \Omega$. Calculate the resistance of resistor R_1 .

$$R_1 = \text{_____} \ \Omega \quad [1]$$

- (ii) The electronic circuit provides a load of $480\ \Omega$ in parallel with the resistor R_2 .

1. Find the combined resistance of this load and R_2 .

$$\text{Combined resistance} = \text{_____} \ \Omega \quad [1]$$

2. Hence find the actual voltage across the load.

$$\text{Voltage} = \text{_____} \ \text{V} \quad [2]$$

Examiner Only	
Marks	Remark

Permission to reproduce all copyright material has been applied for.
In some cases, efforts to contact copyright holders may have been unsuccessful and CCEA
will be happy to rectify any omissions of acknowledgement in future if notified.

GCE (AS) Physics

Data and Formulae Sheet

Values of constants

speed of light in a vacuum	$c = 3.00 \times 10^8 \text{ m s}^{-1}$
elementary charge	$e = 1.60 \times 10^{-19} \text{ C}$
the Planck constant	$h = 6.63 \times 10^{-34} \text{ J s}$
mass of electron	$m_e = 9.11 \times 10^{-31} \text{ kg}$
mass of proton	$m_p = 1.67 \times 10^{-27} \text{ kg}$
acceleration of free fall on the Earth's surface	$g = 9.81 \text{ m s}^{-2}$
electron volt	$1 \text{ eV} = 1.60 \times 10^{-19} \text{ J}$

Useful formulae

The following equations may be useful in answering some of the questions in the examination:

Mechanics

Conservation of energy	$\frac{1}{2}mv^2 - \frac{1}{2}mu^2 = Fs$ for a constant force
Hooke's Law	$F = kx$ (spring constant k)

Sound

Sound intensity level/dB	$= 10 \lg_{10} \frac{I}{I_0}$
--------------------------	-------------------------------

Waves

Two-source interference	$\lambda = \frac{ay}{d}$
-------------------------	--------------------------

Light

Lens formula	$\frac{1}{u} + \frac{1}{v} = \frac{1}{f}$
Magnification	$m = \frac{v}{u}$

Electricity

Terminal potential difference	$V = E - Ir$ (e.m.f. E ; Internal Resistance r)
Potential divider	$V_{\text{out}} = \frac{R_1 V_{\text{in}}}{R_1 + R_2}$

Particles and photons

de Broglie equation	$\lambda = \frac{h}{p}$
---------------------	-------------------------



AY1111NS