



Rewarding Learning

ADVANCED
General Certificate of Education
2009

Centre Number

71	
----	--

Candidate Number

--

Physics

Assessment Unit A2 1

assessing

Module 4: Energy, Oscillations and Fields

[A2Y11]



THURSDAY 21 MAY, AFTERNOON

TIME

1 hour 30 minutes.

INSTRUCTIONS TO CANDIDATES

Write your Centre Number and Candidate Number in the spaces provided at the top of this page.

Answer **all six** questions.

Write your answers in the spaces provided in this question paper.

INFORMATION FOR CANDIDATES

The total mark for this paper is 90.

Quality of written communication will be assessed in question 4.

Figures in brackets printed down the right-hand side of pages indicate the marks awarded to each question.

Your attention is drawn to the Data and Formula Sheet which is inside this question paper.

You may use an electronic calculator.

Question 6 contributes to the synoptic assessment requirement of the Specification.

You are advised to spend about 55 minutes in answering questions 1–5, and about 35 minutes in answering question 6.

For Examiner's use only

Question Number	Marks
1	
2	
3	
4	
5	
6	

Total Marks

--

BLANK PAGE

- (c) The bullet travels a horizontal distance and then hits and becomes embedded in a block of wood of mass 3.0 kg which is freely suspended by a long string as shown in **Fig. 1.1**.

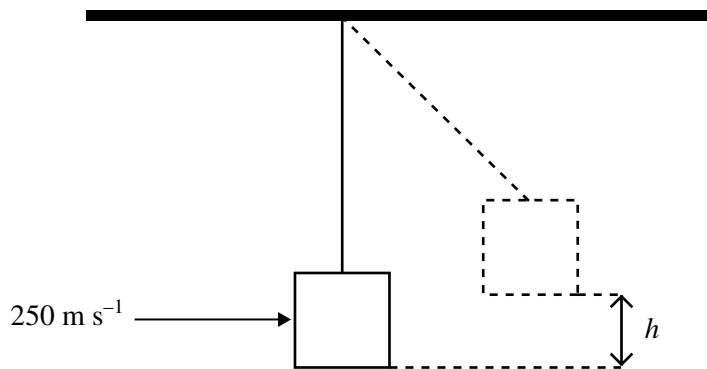


Fig. 1.1

- (i) Neglecting air resistance, calculate the magnitude of the initial velocity of the wooden block and the bullet after impact.

Velocity = _____ m s^{-1} [2]

- (ii) Use your answer to (c)(i) to calculate the kinetic energy of the block and bullet immediately after the impact.

Kinetic energy = _____ J [2]

Examiner Only	
Marks	Remark

- (iii) Calculate the maximum height h above the equilibrium position to which the block and bullet rise after impact.

$h =$ _____ m [2]

- (iv) Explain why, in a real situation, the value of h as shown in **Fig. 1.1** would be less than that calculated in (c)(iii).

_____ [1]

- (v) In the list below, mark with a tick (✓) the quantity or quantities which are conserved in this impact.

Momentum

Kinetic energy

Total energy [1]

Examiner Only	
Marks	Remark

2 A student states Boyle's law for an ideal gas as follows:

"The volume V of air is proportional to the pressure p applied."

(a) There are three important omissions in the student's statement. State the omissions and explain why additions are needed to make the statement of Boyle's law correct.

(i) Omission 1:

Explanation of addition: _____

(ii) Omission 2:

Explanation of addition: _____

(iii) Omission 3:

Explanation of addition: _____

[6]

Examiner Only	
Marks	Remark

(b) On a day when the atmospheric pressure is 102 kPa and the outside temperature is 12.0 °C, the pressure in a car tyre is 175 kPa above atmospheric pressure. After a long journey, the temperature of the air in the tyre rises to 28.0 °C.

(i) Calculate the pressure above atmospheric of the air in the tyre at 28.0 °C. Assume that the volume of the tyre remains constant.

Pressure above atmospheric = _____ kPa [3]

(ii) In racing car tyres, nitrogen commonly replaces air. This is because, as the temperature of the tyre changes, it can be more accurately predicted by how much the nitrogen will expand. Suggest how this information can be used by a racing team.

_____ [1]

Examiner Only	
Marks	Remark

- 3 **Fig. 3.1** shows a funfair ride called a *Chair-O-Plane*. Seats are suspended by chains hanging from rigid arms attached to a vertical shaft, which can rotate. As the angular velocity of the shaft is increased, passengers experience a thrilling ride.



http://www.dizzyland.com.au/images/chair_o_plane_lrg2.jpg

Fig. 3.1

Fig. 3.2 is a simplified diagram of one empty seat when the ride is at rest.

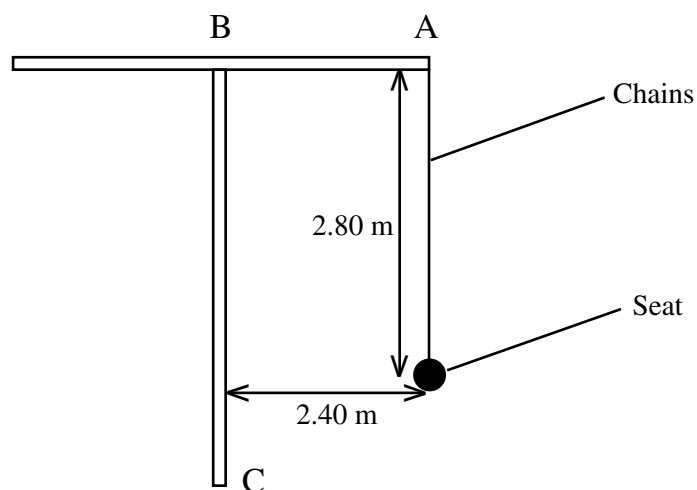


Fig. 3.2

The suspension chain hangs from point A on a rigid radial arm AB that is attached to the vertical shaft BC and rotates with it. The distance of A from the axis is 2.40 m and the length of the chain is 2.80 m. Thus, when the vertical shaft BC starts to rotate, the initial motion of the seat is in a horizontal circle of radius 2.40 m.

- (a) (i) Describe qualitatively how the motion of the seat changes as the angular velocity of the vertical shaft increases.

_____ [1]

- (ii) At one stage, the period of rotation of the seat is 4.00 s. Calculate the angular velocity of the seat.

Angular velocity = _____ rad s⁻¹ [1]

Examiner Only	
Marks	Remark

- (b) (i) The angular velocity of the shaft is increased so that the centripetal acceleration of the seat becomes 21.0 m s^{-2} . The mass of the seat is 12.0 kg . Calculate the tension in the chain supporting the seat at this new angular velocity.

Tension = _____ N [4]

- (ii) At this new angular velocity, the seat moves in a horizontal circle of radius R . Calculate the value of R .

$R =$ _____ m [3]

Examiner Only	
Marks	Remark

(c) In an attempt to rectify the shaking of the image in (a), the motorcyclist puts some thick foam between the handlebars and the arm of the mirror assembly. Would adding the foam get rid of the shaking of the image? Explain your answer.

[2]

Quality of written communication

[2]

Examiner Only	
Marks	Remark

5 (a) Define electric field strength.

 [2]

(b) Fig. 5.1 shows two point charges Q_1 and Q_2 of magnitude $+2\ \mu\text{C}$ and $+4.5\ \mu\text{C}$ respectively placed a distance 20 cm apart.

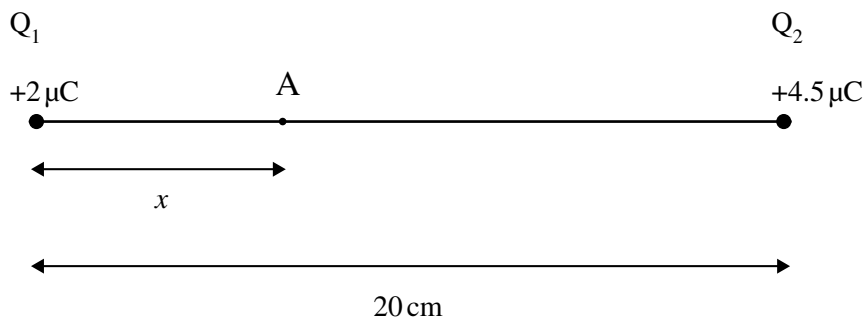


Fig. 5.1

(i) The resultant electric field strength at A, a distance x from Q_1 , due to the charges Q_1 and Q_2 is zero. Calculate the magnitude of x .

$x =$ _____ cm [4]

(ii) A charge of $+3\ \mu\text{C}$ is now placed at the point A. State the value of the electric force exerted on the $+3\ \mu\text{C}$ charge at A. Explain your answer.

Force on $+3\ \mu\text{C}$ charge = _____ N

Explanation

 [2]

Examiner Only	
Marks	Remark

BLANK PAGE

6 Data analysis question

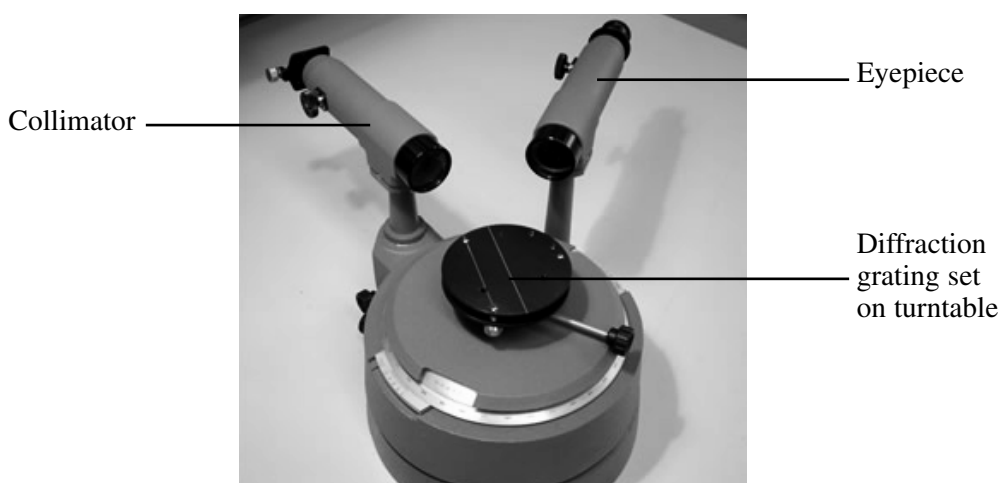
This question contributes to the synoptic assessment requirement of the specification. In your answer you will be expected to bring together and apply principles and contents from different areas of physics, and to use the skills of physics, in the particular situation described.

You are advised to spend about 35 minutes in answering this question.

The grating spectrometer

Introduction

Fig. 6.1 shows a picture of a spectrometer and Fig. 6.2 is a plan view of the instrument. A light source is placed at the far end of the collimator. The light passes through the diffraction grating and the spectral lines produced can be viewed through the eyepiece. The spectrometer allows accurate evaluation of the angle of diffraction of the light.



Source: http://www.kingsviewoptical.com/images/2302Spectrometer_300.jpg

Fig. 6.1

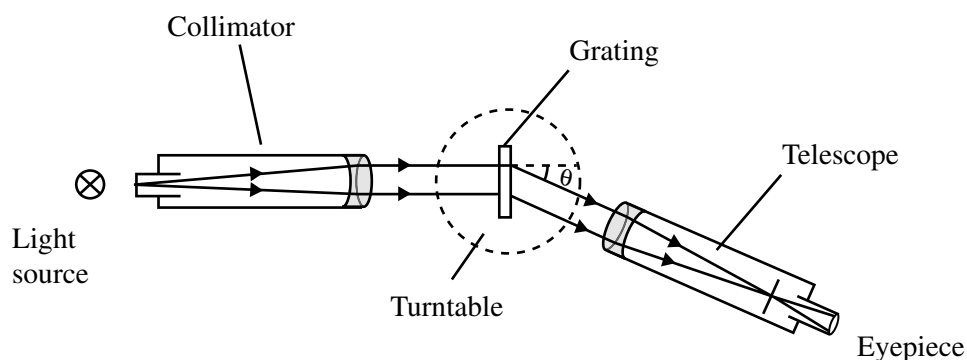


Fig. 6.2

A diffraction grating is to be calibrated by such a spectrometer with the source emitting a spectrum consisting of five lines of known wavelengths λ . The spectrometer is set up with light incident normally on the grating from the collimator, and the angles of diffraction θ for the first-order diffraction pattern for the five lines (in descending order) are recorded and tabulated (Table 6.1).

Table 6.1

λ/nm	$\theta/^\circ$	
656	79.7	
486	46.8	
434	40.6	
410	38.0	
400	36.8	

An expression connecting wavelengths and angles of diffraction in this first-order spectrum is

$$\sin \theta = A\lambda \quad \text{Equation 6.1}$$

where A is a constant called the grating constant.

- (a) (i) State the straight-line graph which should be plotted to enable a value for A to be obtained.

y-axis _____

x-axis _____ [1]

- (ii) How will the value of A be obtained from this graph?

_____ [1]

- (iii) Head the blank column in **Table 6.1** appropriately. Insert any additional values needed. Record these values to an appropriate number of significant figures. [4]

- (iv) Use the graph grid in **Fig. 6.3** to plot the graph stated in (a)(i). Label the axes, choose suitable scales, plot the points, and draw the best-fit straight line. [5]

- (v) From your graph, determine the value of the grating constant A .

$A = \text{_____ m}^{-1}$ [3]

Examiner Only

Marks Remark

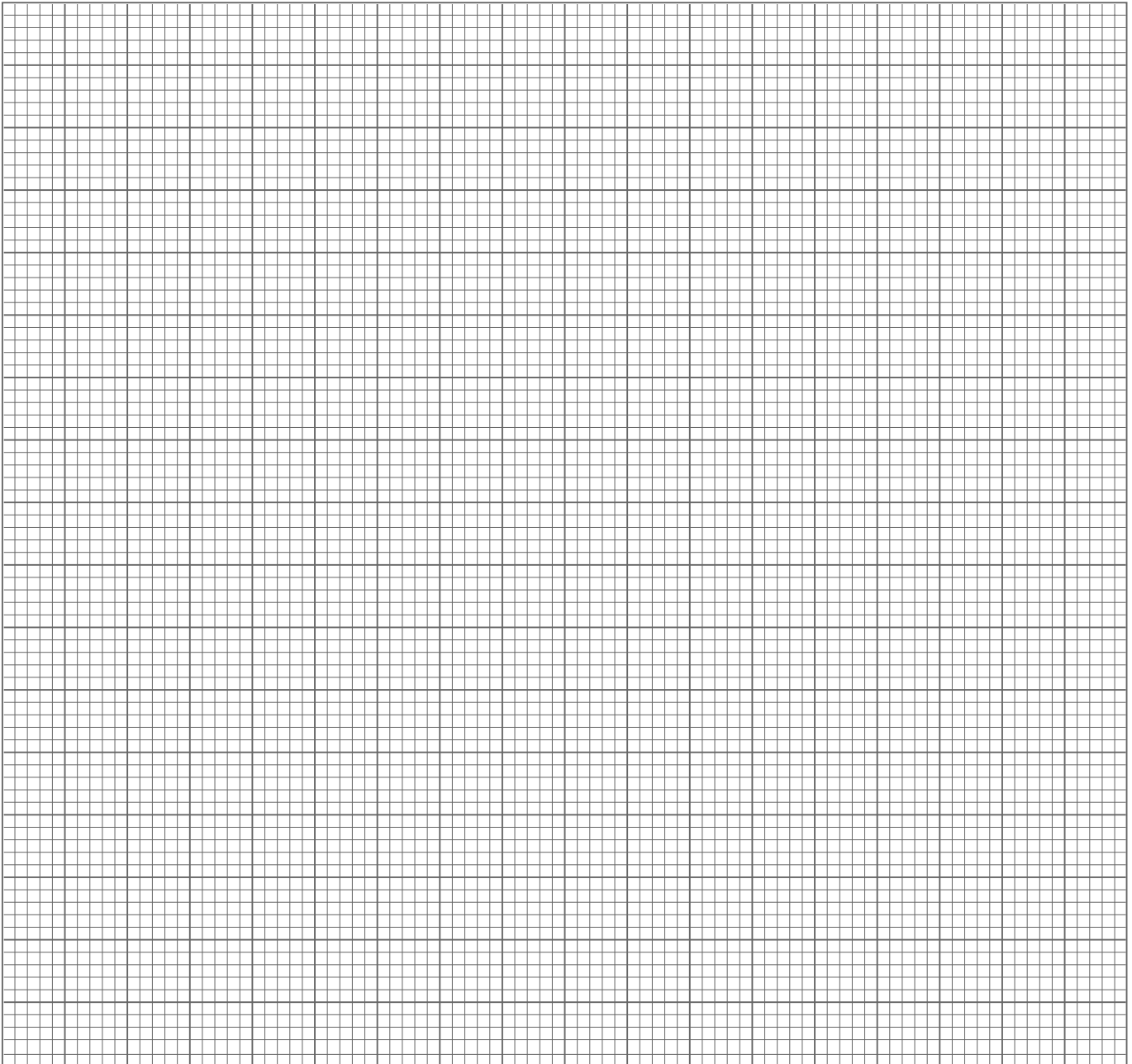


Fig. 6.3

(vi) Explain why, even for the wavelength of 400 nm, a second order of the diffraction pattern could not be found.

[3]

Examiner Only	
Marks	Remark

- (b) (i) It is possible to obtain a value for A by a non-graphical method. Using **Table 6.2**, insert appropriate headings in the blank columns and calculate the values required. Hence obtain an accurate value for A using this non-graphical method.

Table 6.2

λ/nm	$\theta/^\circ$		
656	79.7		
486	46.8		
434	40.6		
410	38.0		
400	36.8		

$A = \text{_____} \text{ m}^{-1}$ [4]

- (ii) Discuss in detail which of the two methods you consider to be the more accurate **in this case**. Explain your answer fully.

[4]

Examiner Only	
Marks	Remark

- (c) (i) The diffraction grating is now replaced by one which has a known grating constant of $7.5 \times 10^5 \text{ m}^{-1}$. Use **Equation 6.1** to calculate theoretical values for θ and record them in **Table 6.3** to an appropriate number of significant figures.

Table 6.3

λ/nm	$\theta/^\circ$
656	
486	
434	
410	
400	

[3]

- (ii) A student misreads the spectrometer and claims to locate a first-order line at a diffraction angle of 42.5° . Explain why this claim can be dismissed.

_____ [3]

- (iii) Explain whether using the first-order spectral lines with this grating is more or less suitable than using the same order pattern with the first grating.

_____ [3]

Examiner Only	
Marks	Remark

(iv) How could the second grating be calibrated more accurately using the wavelengths in **Table 6.3**?

[1]

THIS IS THE END OF THE QUESTION PAPER

Examiner Only	
Marks	Remark

Permission to reproduce all copyright material has been applied for.
In some cases, efforts to contact copyright holders may have been unsuccessful and CCEA
will be happy to rectify any omissions of acknowledgement in future if notified.