

Candidate forename		Candidate surname	
-----------------------	--	----------------------	--

Centre number						Candidate number				
------------------	--	--	--	--	--	---------------------	--	--	--	--

**OXFORD CAMBRIDGE AND RSA EXAMINATIONS
AS GCE**

4771

MATHEMATICS (MEI)

Decision Mathematics 1

INSERT for questions 3, 4, 5 and 6

MONDAY 23 JANUARY 2012: Morning

DURATION: 1 hour 30 minutes

SUITABLE FOR VISUALLY IMPAIRED CANDIDATES

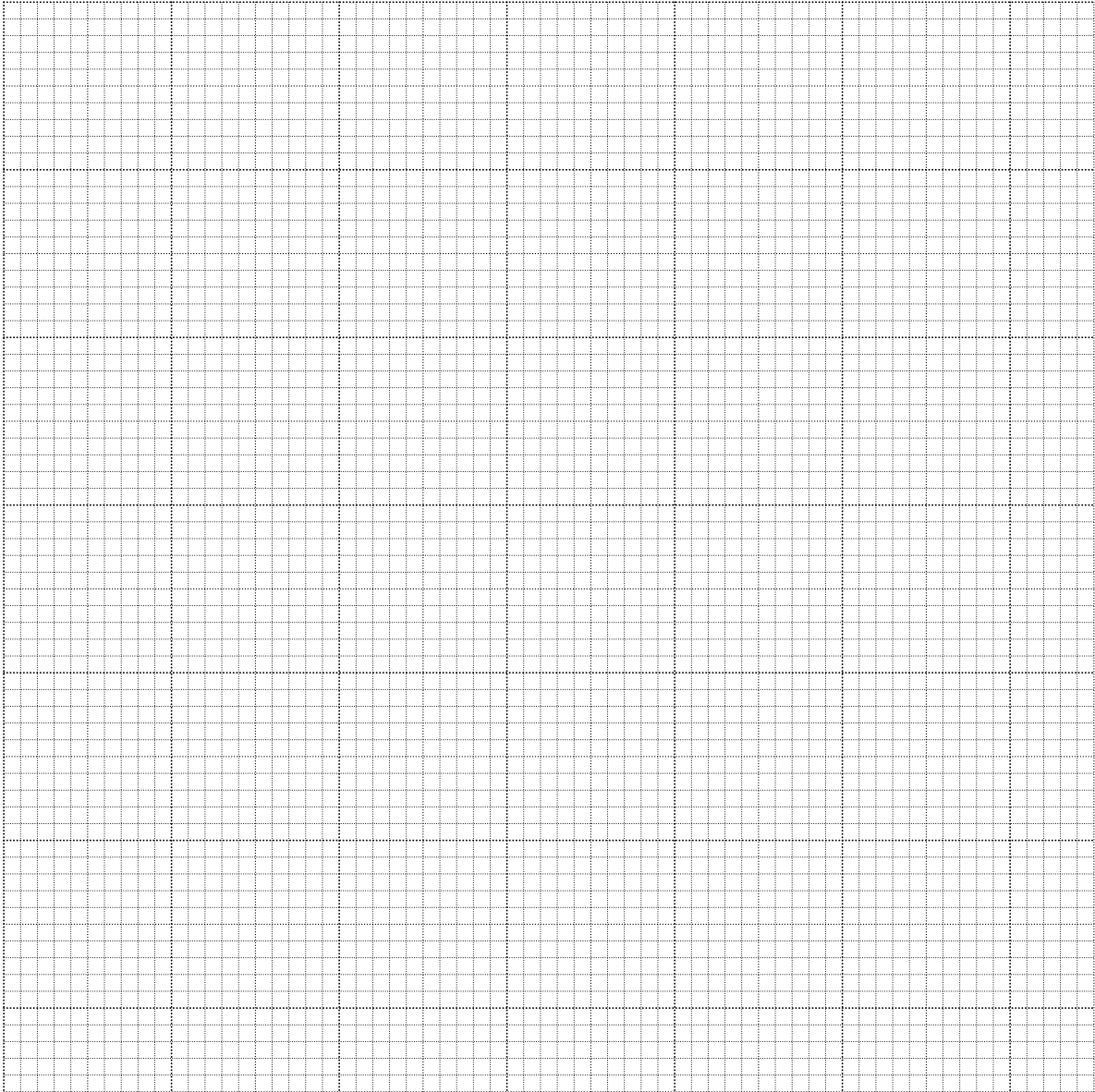
INSTRUCTIONS TO CANDIDATES

- **Write your name, centre number and candidate number in the spaces provided at the top of this page. Please write clearly and in capital letters.**
- **Use black ink. Pencil may be used for graphs and diagrams only.**
- **This insert should be used to answer questions 3, 4, 5 and 6.**
- **Write your answers to questions 3, 4, 5 and 6 in the spaces provided in this insert, and attach it to your answer booklet.**

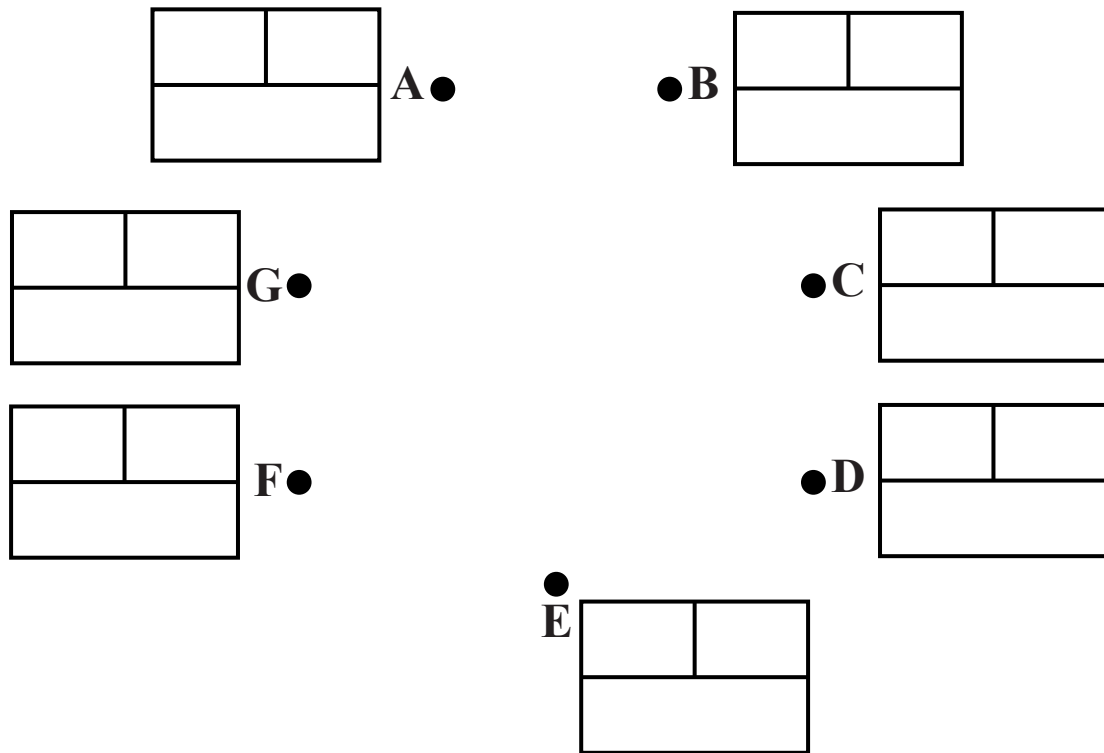


**A SPARE COPY OF THIS GRAPH PAPER CAN BE
FOUND ON PAGE 3.**

SPARE COPY OF GRAPH PAPER FOR QUESTION 3.

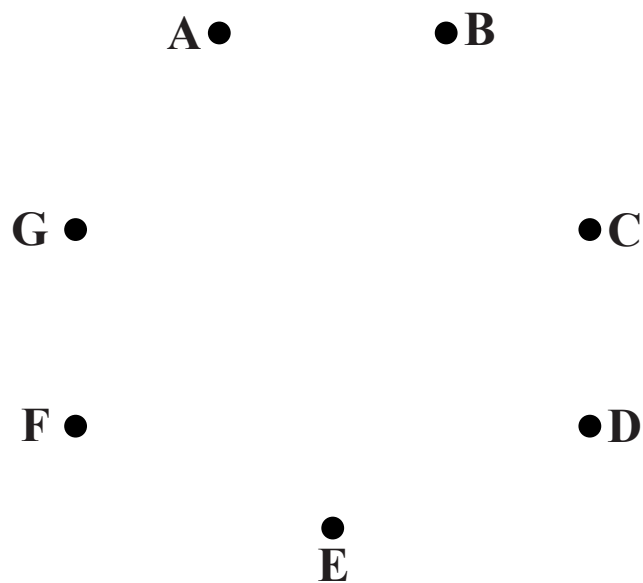


4 (i) & (ii)



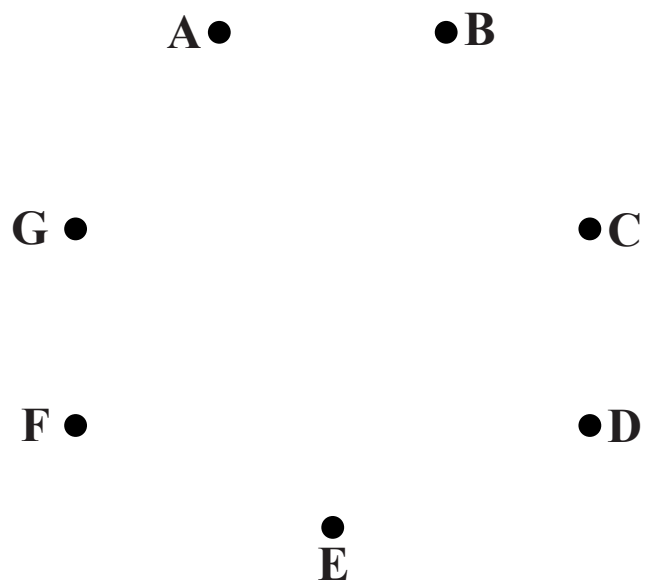
Total length of edges:

4 (iii)



Total length of edges:

4 (iv)



Total length of edges:

5 One-digit random numbers:

3 3 7 5 2 9 3 0 6 2 4 9 0 6 2 7 2 2 1 6
8 2 3 6 4 8 0 2 9 1 7 5 2 3 0 8 7 0 6 7

6 (iv)



Copyright Information

OCR is committed to seeking permission to reproduce all third-party content that it uses in its assessment materials. OCR has attempted to identify and contact all copyright holders whose work is used in this paper. To avoid the issue of disclosure of answer-related information to candidates, all copyright acknowledgements are reproduced in the OCR Copyright Acknowledgements Booklet. This is produced for each series of examinations and is freely available to download from our public website (www.ocr.org.uk) after the live examination series.

If OCR has unwittingly failed to correctly acknowledge or clear any third-party content in this assessment material, OCR will be happy to correct its mistake at the earliest possible opportunity.

For queries or further information please contact the Copyright Team, First Floor, 9 Hills Road, Cambridge CB2 1GE.

OCR is part of the Cambridge Assessment Group; Cambridge Assessment is the brand name of University of Cambridge Local Examinations Syndicate (UCLES), which is itself a department of the University of Cambridge.