

# **Electronics**

Advanced Subsidiary GCE

Unit **F612**: Signal Processors

## **Mark Scheme for June 2013**

---

OCR (Oxford Cambridge and RSA) is a leading UK awarding body, providing a wide range of qualifications to meet the needs of candidates of all ages and abilities. OCR qualifications include AS/A Levels, Diplomas, GCSEs, Cambridge Nationals, Cambridge Technicals, Functional Skills, Key Skills, Entry Level qualifications, NVQs and vocational qualifications in areas such as IT, business, languages, teaching/training, administration and secretarial skills.

It is also responsible for developing new specifications to meet national requirements and the needs of students and teachers. OCR is a not-for-profit organisation; any surplus made is invested back into the establishment to help towards the development of qualifications and support, which keep pace with the changing needs of today's society.

This mark scheme is published as an aid to teachers and students, to indicate the requirements of the examination. It shows the basis on which marks were awarded by examiners. It does not indicate the details of the discussions which took place at an examiners' meeting before marking commenced.

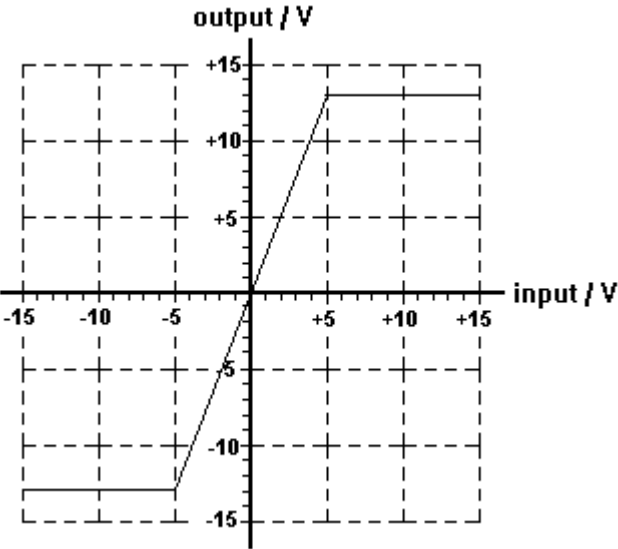
All examiners are instructed that alternative correct answers and unexpected approaches in candidates' scripts must be given marks that fairly reflect the relevant knowledge and skills demonstrated.

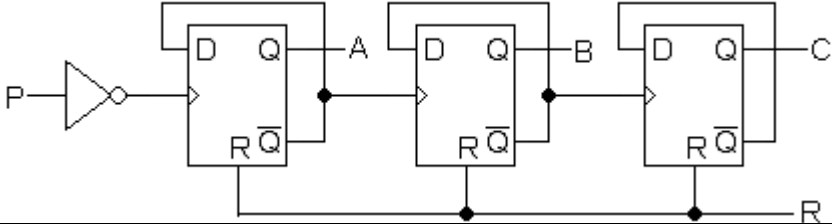
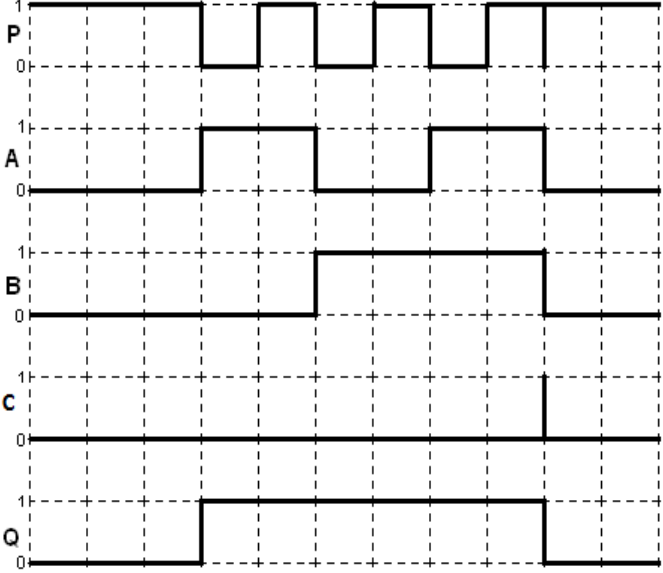
Mark schemes should be read in conjunction with the published question papers and the report on the examination.

OCR will not enter into any discussion or correspondence in connection with this mark scheme.

© OCR 2013

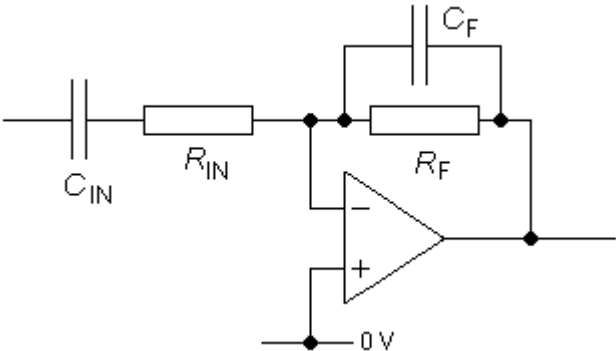
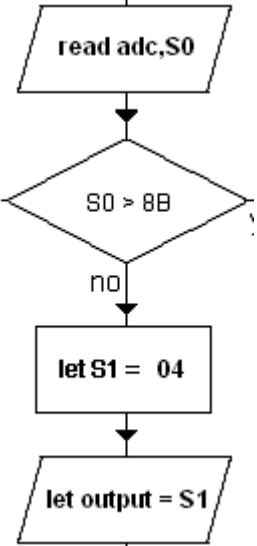
Question			Answer	Marks	Guidance
1	(a)	(i)		1	<p>not next to + input</p> <p>look for the word INPUT near the circle</p>
		(ii)	47 kΩ	1	
	(b)	(i)	$1 + 16k/10k;$ 2.6;	2	<p>quote and use correct formula with incorrect resistors from circuit (1)</p> <p>evaluation (1) (no ecf on incorrect formula or values)</p>
		(ii)	inverting input = 0.6 V; output = 1.56 V;	2	<p>ecf gain of (b)(i) to output e.g. <math>G = -1.6</math> gives <math>-0.96</math> V</p> <p>accept 1.6 V</p>

Question	Answer	Marks	Guidance
(iii)		3	straight line through the origin (1) correct gradient of +2.6 (1) <b>accept</b> gradient of gain of (b)(i) saturating at +13 V and - 13 V (1)
(c)	EITHER difference in voltage between inputs; is amplified by a large amount; OR when $V_+$ less than $V_-$ output is negative; when $V_+$ more than $V_-$ output is positive; OR $V_{out} = A(V_+ - V_-)$ where $A$ is large value; $V_+$ is non-inverting (+) input voltage, $V_-$ is inverting (-) input voltage, THEN output saturates at $\pm 13$ V;	3	<b>not</b> just differential amplifier   <b>accept</b> $A$ at least 1000

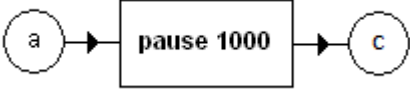
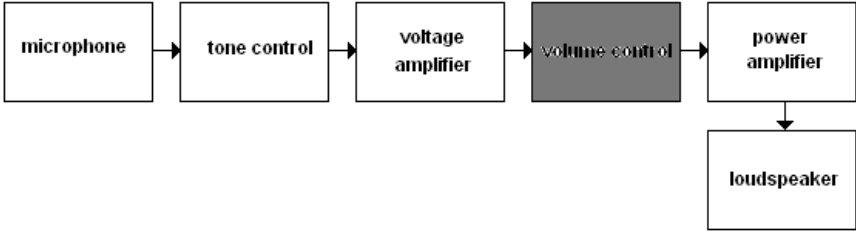
Question	Answer	Marks	Guidance
2 (a)	rising edge (i.e. 0 V to +5 V) at CK;  high/1/+5V at D; copied to Q;	3	<b>accept</b> clock (input) for CK <b>not</b> hold/send/pulse CK high, <b>accept</b> goes high  <b>not</b> just flip-flop transparent
(b)	R at least 1 kΩ; RC = 8.0 s	2	<b>look for</b> 8 000 ms
(c)		4	D to $\bar{Q}$ for all three flip-flops (1) $\bar{Q}$ to CK between flip-flops (1) R in parallel (1) all five labels correct (1)  ignore connection from C to R
(d)		4	A changes on each falling edge of P except on final spike (1) B changes on each falling edge of A (1) Q goes high on first fall of P and stays high until spike on C (1) Q goes low and stays low when C spikes high (1)  <b>ignore</b> changes to C

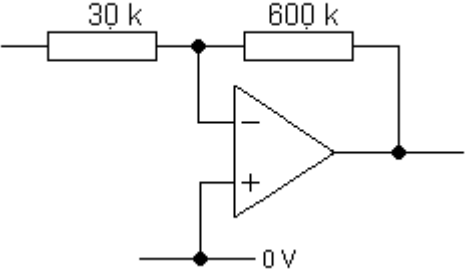
Question		Answer	Marks	Guidance
3	(a)	where bytes / words; enter <b>and</b> leave the microcontroller / copied to and from registers;	2	<b>look for</b> idea of sets of bits in parallel, not serial accept download a program for [1]
	(b)	any three of the following, (1) each: stores byte/data/word; from input (port) / adc; for the output (port); for calculations; for comparison;	3	<b>ignore</b> state / information / number <b>not</b> for processing
	(c)	outputs/stores/creates a byte/word/binary code; which represents a voltage;	2	<b>not</b> just digital signal, high or low, 1 or 0, binary not analogue signal / wave / variable signal
	(d)	67; 11010010;	2	
	(e)	any two of the following reason-explanation pairs, (1) + (1) each: <ul style="list-style-type: none"> <li>• smaller circuit <ul style="list-style-type: none"> <li>• because only one chip</li> </ul> </li> <li>• can be easily updated/changed <ul style="list-style-type: none"> <li>• because program easily changed</li> </ul> </li> <li>• cheaper circuit <ul style="list-style-type: none"> <li>• because of economies of scale / mass production</li> </ul> </li> <li>• easier to design <ul style="list-style-type: none"> <li>• because program can be simulated</li> </ul> </li> <li>• different circuits from the same hardware <ul style="list-style-type: none"> <li>• because different program can be loaded</li> </ul> </li> </ul>	4	look for two reason-explanation pairs for full marks  <b>ignore</b> reasons to do with supply rails

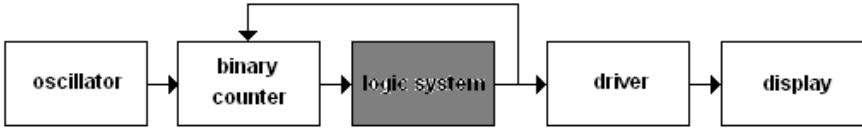
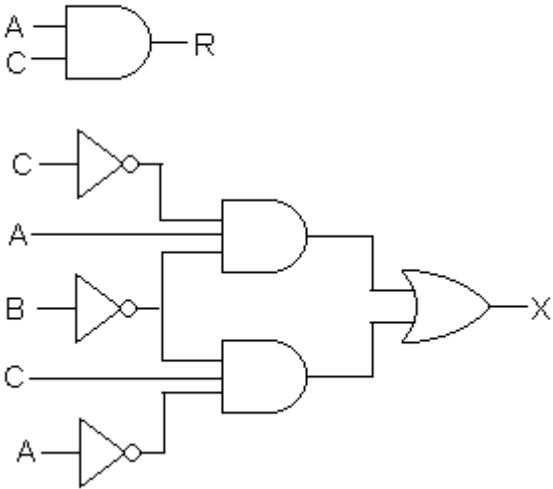
4	(a)		3	<p>Q low for squares 4, 5 and 6 (1)                  Q high for square 7 (1)                  Q low for squares 8, 9 and 10 (1)</p>																									
	(b)	<table border="1" data-bbox="369 646 985 821"> <thead> <tr> <th>D</th> <th>EN</th> <th>A</th> <th>S</th> <th>R</th> </tr> </thead> <tbody> <tr> <td>0</td> <td>0</td> <td>1</td> <td>0</td> <td>0</td> </tr> <tr> <td>0</td> <td>1</td> <td>1</td> <td>0</td> <td>1</td> </tr> <tr> <td>1</td> <td>0</td> <td>0</td> <td>0</td> <td>0</td> </tr> <tr> <td>1</td> <td>1</td> <td>0</td> <td>1</td> <td>0</td> </tr> </tbody> </table>	D	EN	A	S	R	0	0	1	0	0	0	1	1	0	1	1	0	0	0	0	1	1	0	1	0	3	<p>A correct (1)                  S correct (1)                  R correct (1)</p> <p><b>allow</b> ecf for R = EN.A on incorrect A</p>
D	EN	A	S	R																									
0	0	1	0	0																									
0	1	1	0	1																									
1	0	0	0	0																									
1	1	0	1	0																									
	(c)		2	<p>ouput of each gate to input of the other (1)                  S and R correct (1)</p>																									

Question	Answer	Marks	Guidance
5		8	<p> <math>R_F</math> and <math>C_F</math> drawn correctly (1)  <math>R_{IN}</math> and <math>C_{IN}</math> drawn correctly in any order (1)  <math>R_{IN}</math> and <math>R_F</math> between 1 k<math>\Omega</math> and 1 M<math>\Omega</math> (1)  <math>R_{IN} C_{IN} = 800 \mu\text{s}</math> (1)  <math>R_F C_F = 80 \mu\text{s}</math> (1)                 </p> <p>quote rule and substitute into <math>f_0 = \frac{1}{2\pi R C}</math> twice (1)</p> <p><math>R_F = 50 \times R_{IN}</math> (1)</p> <p>quote rule and substitute into <math>G = (-)\frac{R_f}{R_{in}}</math> (1)</p> <p>accept a treble cut filter followed by a bass cut filter for full marks, provided overall gain and break frequencies are correct</p> <p><b>not</b> <math>R_{IN} C_{IN} = 80 \mu\text{s}</math> and <math>R_F C_F = 800 \mu\text{s}</math></p>
6 (a)		3	<p>each correctly completed box for (1)</p>



Question	Answer	Marks	Guidance
(b)		1	must be completely correct for [1]
(c)	<p>1001 0000 placed at output;                      switch red LED on and turn on / activate MOSFET /speaker;                      1000 0000 placed at output;                      turn off MOSFET / speaker, red LED on, (green LED off);                      test if input port = 0000 1000;                      if yes then switch is pressed so return to start of program;                      otherwise switch MOSFET on again ...;</p>	7	<p><b>accept</b> Q7 and Q4 high  <b>ignore</b> leave green LED off, <b>not</b> buzzer  <b>accept</b> Q7 high  <b>ecf</b> accept buzzer for speaker  <b>accept</b> I3 high  <b>not</b> just pass to <b>c</b>  <b>accept</b> repeats program loop, goes back to <b>b</b></p>
7 (a)		4	<p>microphone first and loudspeaker last (1)                      voltage amp anywhere before power amp (1)                      tone control anywhere before power amp (1)                      power amp just before loudspeaker (1)</p>

Question	Answer	Marks	Guidance
(b)		4	<p>correct circuit (1)  <math>R_{IN} = 30 \text{ k}\Omega</math> (1)  <math>R_F = 20 \times R_{IN}</math> (1)</p> <p>quote rule and substitute into <math>G = (-) \frac{R_f}{R_{in}}</math> (1)</p> <p><b>ignore</b> labels for input and output</p>
(c)	(i)	2	<p><b>not</b> increases gain/signal, <b>accept</b> adjusts gain/signal  ignore volume, control</p>
	(ii)	2	<p>accept cuts/boosts different frequencies</p> <p>ignore tone, control</p>
	(iii)	2	<p><b>ignore</b> amplify, <b>accept</b> boost</p>

Question	Answer	Marks	Guidance
8 (a)		3	all four correct for (3) three or two correct for (2) one correct for (1)
(b)	$R = C.A;$ $X = \overline{C}.B. A + C \overline{B}. \overline{A};$	2	accept $C.\overline{B}.A$ accept $X = A \overline{B + C} + C \overline{B + A}$
(c)		3	R correct for (1) X correct for (2) accept any NOT/AND/OR circuit which generates correct output ecf from incorrect (b)

## APPENDIX 1

## Quality of Written Communication

3	The candidate expresses complex ideas extremely clearly and fluently. Sentences and paragraphs follow on from one another smoothly and logically. Arguments are consistently relevant and well structured. There will be few, if any, errors of grammar, punctuation and spelling.
2	The candidate expresses straightforward ideas clearly, if not always fluently. Sentences and paragraphs may not always be well connected. Arguments may sometimes stray from the point or be weakly presented. There may be some errors of grammar, punctuation and spelling, but not such as to suggest a weakness in these areas.
1	The candidate expresses simple ideas clearly, but may be imprecise and awkward in dealing with complex or subtle concepts. Arguments may be of doubtful relevance or obscurely presented. Errors in grammar, punctuation and spelling may be noticeable and intrusive, suggesting weaknesses in these areas.
0	The language has no rewardable features.

**OCR (Oxford Cambridge and RSA Examinations)**  
**1 Hills Road**  
**Cambridge**  
**CB1 2EU**

**OCR Customer Contact Centre**

**Education and Learning**

Telephone: 01223 553998

Facsimile: 01223 552627

Email: [general.qualifications@ocr.org.uk](mailto:general.qualifications@ocr.org.uk)

**[www.ocr.org.uk](http://www.ocr.org.uk)**

For staff training purposes and as part of our quality assurance programme your call may be recorded or monitored

**Oxford Cambridge and RSA Examinations**  
**is a Company Limited by Guarantee**  
**Registered in England**  
**Registered Office; 1 Hills Road, Cambridge, CB1 2EU**  
**Registered Company Number: 3484466**  
**OCR is an exempt Charity**

**OCR (Oxford Cambridge and RSA Examinations)**  
**Head office**  
**Telephone: 01223 552552**  
**Facsimile: 01223 552553**

© OCR 2013

