

Candidate forename		Candidate surname	
-------------------------------	--	------------------------------	--

Centre number						Candidate number				
--------------------------	--	--	--	--	--	-----------------------------	--	--	--	--

**OXFORD CAMBRIDGE AND RSA EXAMINATIONS
ADVANCED SUBSIDIARY GCE**

F211

BIOLOGY

Cells, Exchange and Transport

MONDAY 16 MAY 2011: Morning

DURATION: 1 hour

SUITABLE FOR VISUALLY IMPAIRED CANDIDATES

Candidates answer on the question paper.

OCR SUPPLIED MATERIALS:

Insert (inserted)

OTHER MATERIALS REQUIRED:

Electronic calculator


Ruler (cm/mm)

READ INSTRUCTIONS OVERLEAF

INSTRUCTIONS TO CANDIDATES

- Write your name, centre number and candidate number in the boxes on the first page. Please write clearly and in capital letters.
- Use black ink. Pencil may be used for graphs and diagrams only.
- Read each question carefully. Make sure you know what you have to do before starting your answer.
- Write your answer to each question in the space provided. If additional space is required, you should use the lined pages at the end of this booklet. The question number(s) must be clearly shown.
- Answer ALL the questions.

INFORMATION FOR CANDIDATES

- The number of marks is given in brackets [] at the end of each question or part question.
- The total number of marks for this paper is 60.
-  Where you see this icon you will be awarded marks for the quality of written communication in your answer.
- You may use an electronic calculator.
- You are advised to show all the steps in any calculations.

BLANK PAGE

Answer ALL the questions.

1 (a) Fig. 1.1, ON THE INSERT, shows an electron micrograph of cells from the liver.

(i) Some cells, such as liver cells, contain a lot of Golgi apparatus.

State ONE function of the Golgi apparatus.

[1]

(ii) Suggest why the nuclear envelope contains pores.

[2]

(iii) State the function of the lysosomes.

[1]

(b) The liver is an organ.

Explain what is meant by the term organ.

[2]

2 The cell surface membrane allows different substances to enter and leave the cell.

(a) List THREE components of a cell surface membrane.

[3]

(b) (i) Explain what is meant by the term active transport.

[2]

(ii) State TWO examples of active transport in cells.

For each example, you should name the substance that is transported AND the cell involved.

[2]

(c) In addition to active transport, substances can pass through cell surface membranes by:

- **diffusion**
- **facilitated diffusion**
- **osmosis**
- **bulk transport (endocytosis / exocytosis)**

For each example described in Table 2.1 below, state how the substance crosses the cell surface membrane. The first one has been done for you.

Table 2.1

example	mechanism of movement across cell surface membrane
release of enzymes into the gut	bulk transport
a plant cell taking up water	
calcium ions entering a nerve cell down a concentration gradient	
oxygen entering a red blood cell	

[3]

[Total: 10]

3 Large animals, such as mammals, need efficient transport systems.

(a) Fig. 3.1 shows a section through the mammalian heart.

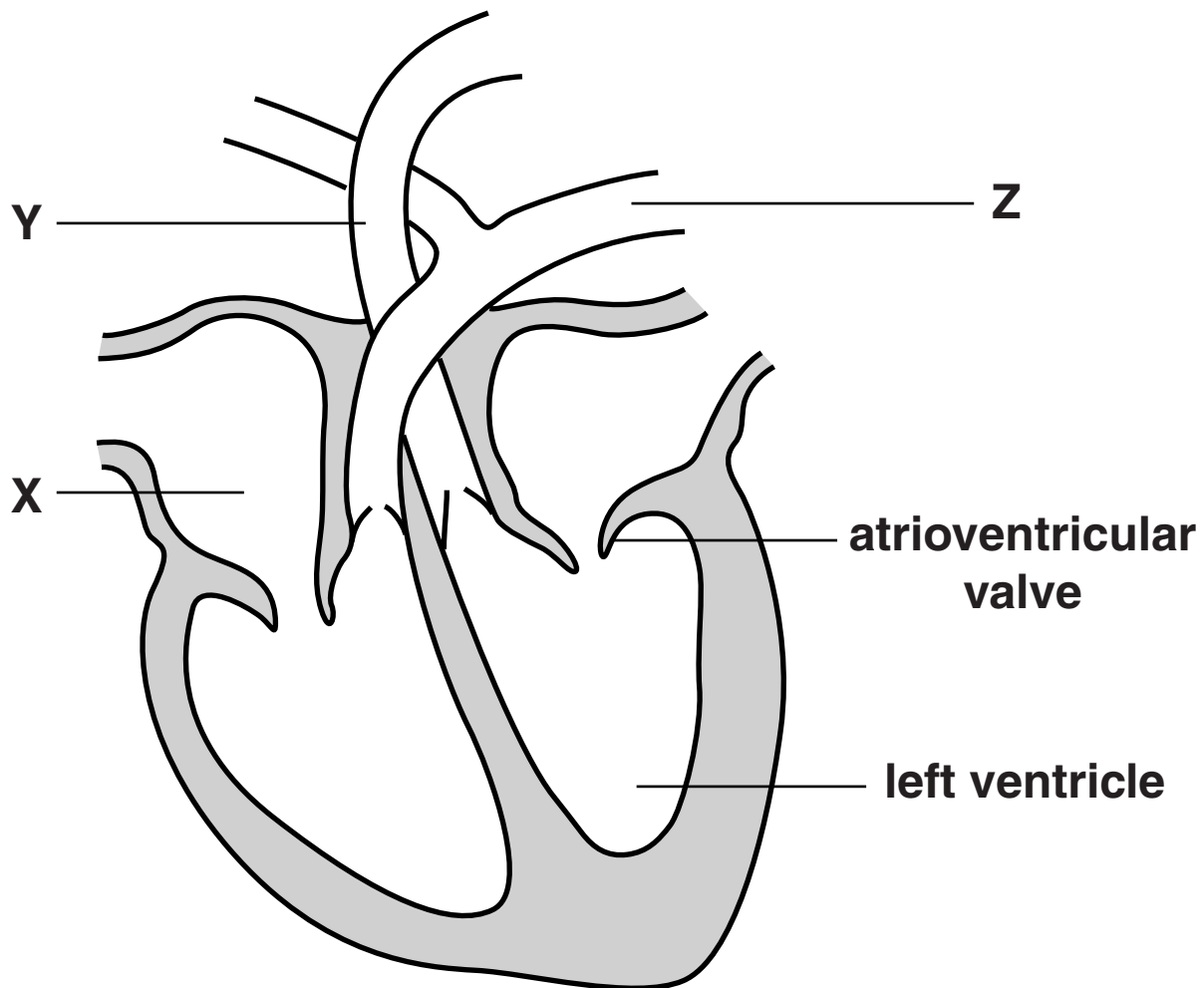


Fig. 3.1

(i) Name the parts labelled X, Y and Z.

X _____

Y _____

Z _____

[3]

(b) The mammalian transport system is a double circulatory system.

An efficient circulatory system consists of a pump, a means of maintaining pressure, a transport medium and exchange surfaces.

State the component of the MAMMALIAN CIRCULATORY SYSTEM that fulfils each of these roles.

The first one has been done for you.

1. pump

heart

2. means of maintaining pressure

3. transport medium

4. exchange surface

[3]

[Total: 11]

4 In plants, dividing cells can be found in meristematic tissue.

(a) Name TWO parts of a plant where meristematic tissue can be found.

[2]

(b) In an investigation, a student observed the cells in a stained section of meristematic tissue. The student counted how many cells could be seen in each stage of the cell cycle.

Table 4.1 shows the results.

Table 4.1

stage of cell cycle	percentage cells in stage (%)
interphase	82.00
prophase	4.34
metaphase	3.23
anaphase	3.23
telophase	7.20

(i) Explain why the meristematic tissue needed to be stained for this investigation.

[2]

(ii) Name the type of nuclear division that occurs in a plant meristem.

[1]

(c) Using the results shown in Table 4.1, calculate the percentage of the cell cycle taken up by nuclear division.

Show your working.

Answer = _____ % [2]

(d) State ONE way in which the products of MEIOSIS are different from the products of nuclear division in meristematic tissue.

[1]

[Total: 8]

5 Fig. 5.1 shows a spirometer, which is used to investigate lung function.

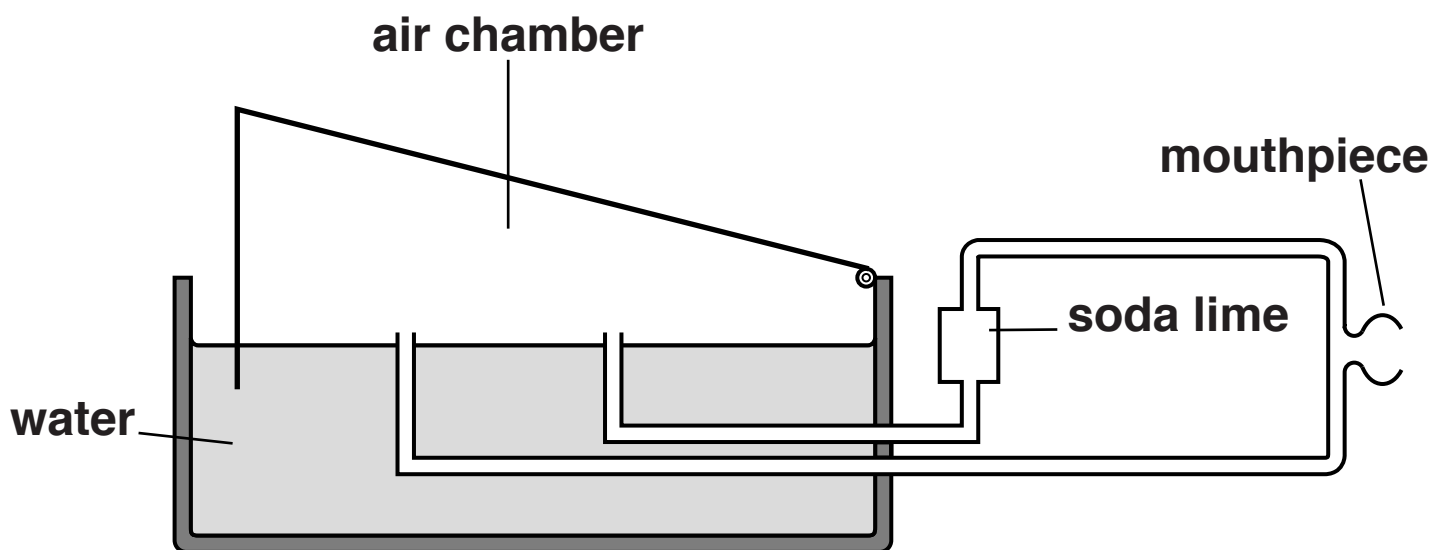


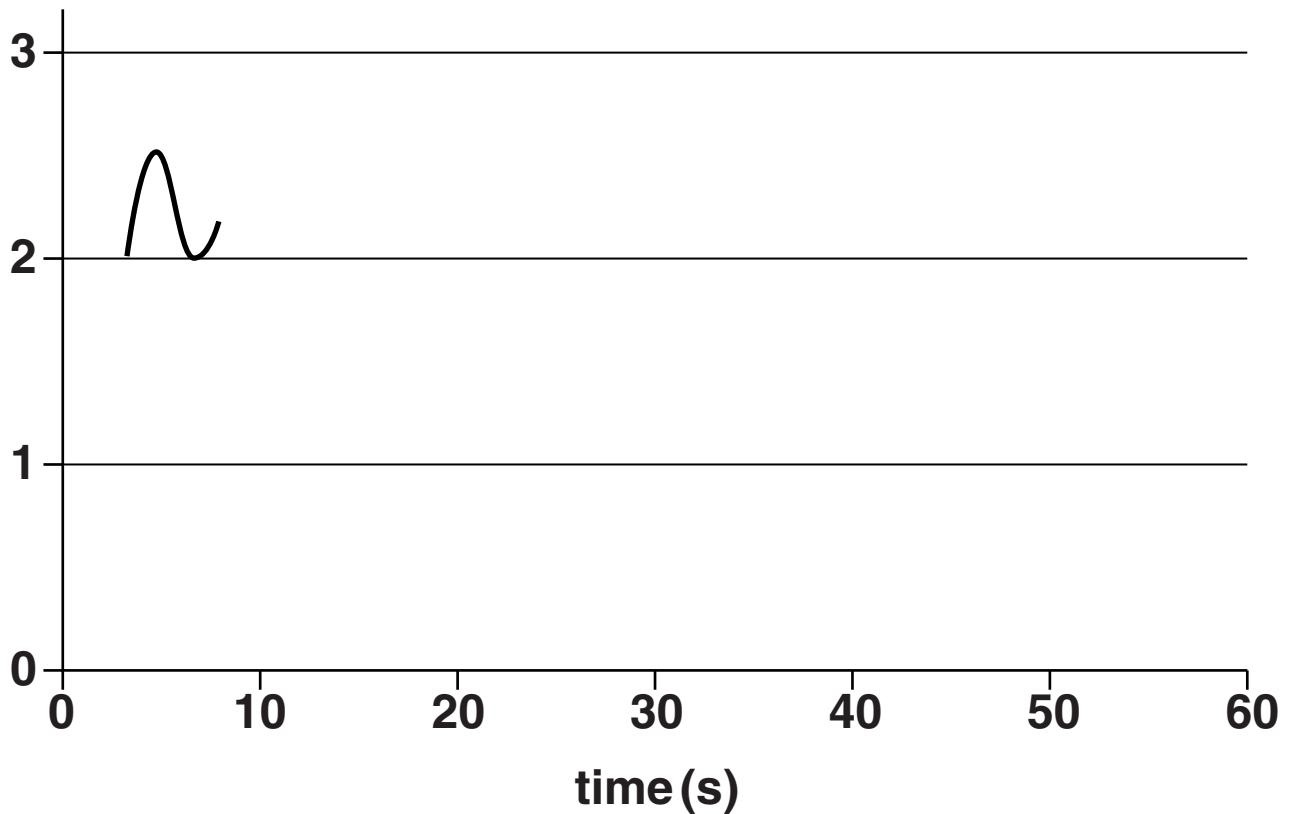
Fig. 5.1

(a) (i) Describe how the spirometer would be used to measure tidal volume.

[3]

(ii) Using the axes below, complete the spirometer trace that you expect to see recorded from a healthy sixteen year old over TEN FURTHER BREATHS, while at rest.

volume of air in
spirometer
(dm³)



[2]

(iii) Describe how you could use a spirometer trace to measure the rate of oxygen uptake.

[3]

(b) Suggest TWO factors that should be considered when carrying out a risk assessment for an experiment using a spirometer.

[2]

[Total: 10]

6 (a) Translocation is the movement of assimilates along the phloem from one part of a plant to another.

(i) Name the sugar molecule most commonly translocated.

_____ [1]

(ii) A tissue may act as a source or a sink at different times.

For each tissue listed below, state whether it is acting as a source, a sink or neither. The first one has been done for you.

tissue	source, sink or neither
a leaf in summer	source
a developing bud	
xylem	
an actively growing root tip	

[3]

(b) The sap in the phloem sieve tubes is moved by mass flow.

State TWO adaptations of sieve tubes that enable mass flow to occur.

[2]

(c) Describe how assimilates are loaded into the phloem.



In your answer, you should use appropriate technical terms, spelt correctly.

[4]

[Total: 10]

END OF QUESTION PAPER

ADDITIONAL PAGE

Copyright Information

OCR is committed to seeking permission to reproduce all third-party content that it uses in its assessment materials. OCR has attempted to identify and contact all copyright holders whose work is used in this paper. To avoid the issue of disclosure of answer-related information to candidates, all copyright acknowledgements are reproduced in the OCR Copyright Acknowledgements Booklet. This is produced for each series of examinations and is freely available to download from our public website (www.ocr.org.uk) after the live examination series.

If OCR has unwittingly failed to correctly acknowledge or clear any third-party content in this assessment material, OCR will be happy to correct its mistake at the earliest possible opportunity.

For queries or further information please contact the Copyright Team, First Floor, 9 Hills Road, Cambridge CB2 1GE.

OCR is part of the Cambridge Assessment Group; Cambridge Assessment is the brand name of University of Cambridge Local Examinations Syndicate (UCLES), which is itself a department of the University of Cambridge.