



COMPUTER AIDED DESIGN

5195/A

Optional Module: Practical Assessment

2007

1 hour plus 15 minutes reading time

No Additional Materials are required

READ THESE INSTRUCTIONS FIRST

Candidates are permitted **15 minutes** reading time before attempting the paper.

Make sure that your **Centre number, candidate number** and **name** are clearly visible on **each printout** that you are asked to produce, before it is sent to the printer.

Carry out **every** instruction in each task.

Tasks are numbered on the left hand side of the page, so that you can see what to do, step by step. On the right hand side of the page for each task, you will find a box which you can tick (✓) when you have completed the task; this checklist will help you to track your progress through the assessment.

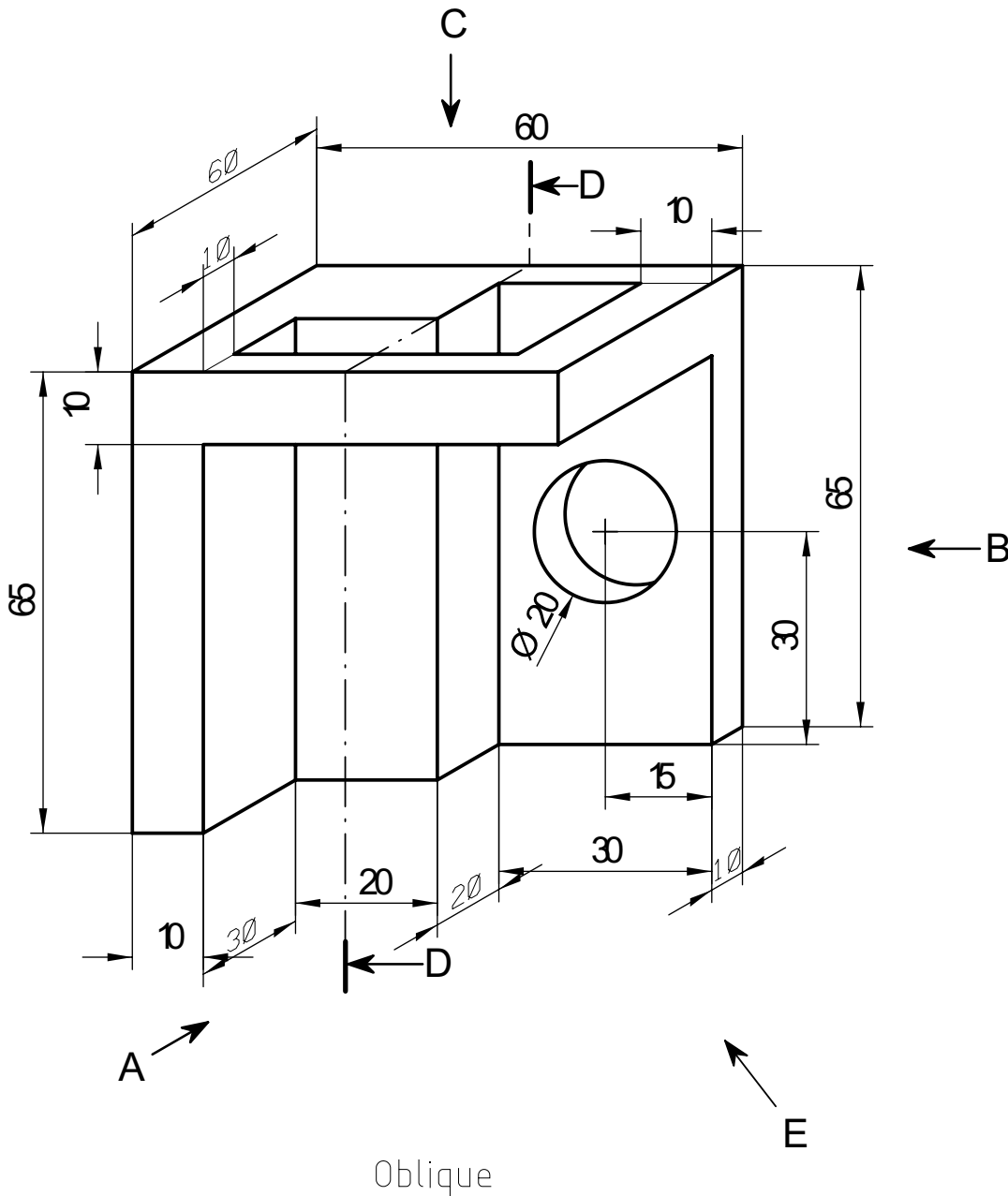
Before each printout you should proof-read the document to make sure that you have followed all instructions correctly.

At the end of the assignment put **all** your printouts into the Assessment Record Folder.

This document consists of **3** printed pages.



You work for a company called Food Chain. You need to produce a working drawing for a widget. It should look like this:



- | | | | |
|---|--|-------------------------------------|----------------|
| 1 | Load your CAD program and set a 1:1 scale. | <input checked="" type="checkbox"/> | 1.1.1 |
| 2 | Set all units to millimetres. | <input type="checkbox"/> | 1.1.2 |
| 3 | Create a 5 millimetre grid. | <input type="checkbox"/> | 1.2.1 |
| 4 | Create a title block for your drawing; this should include the scale, the title Widget , the dimension units, your name and today's date. | <input type="checkbox"/> | 1.3.1 |
| 5 | Draw the front elevation of the widget in the direction of arrow A. | <input type="checkbox"/> | 2.1.1
2.2.1 |

- | | | | |
|----|--|-------------------------------------|-------|
| 6 | Draw the end elevation of the widget in the direction of arrow B. | <input checked="" type="checkbox"/> | 2.2.2 |
| 7 | Draw the plan of the widget in the direction of arrow C. | <input type="checkbox"/> | 2.2.3 |
| 8 | Show clearly the external dimensions on all three views. | <input type="checkbox"/> | 2.5.1 |
| 9 | Save and plot (or print) the drawing. | <input type="checkbox"/> | 4.1.1 |
| 10 | Using the same scale, units and grid settings, draw a sectional view of the widget through D-D. Use hatching where appropriate. | <input type="checkbox"/> | 2.3.1 |
| 11 | Include a title block on your drawing; this should include the scale, the title Widget , the dimension units, your name and today's date. | <input type="checkbox"/> | 1.3.1 |
| 12 | Save and plot (or print) the drawing. | <input type="checkbox"/> | 4.1.1 |
| 13 | Produce an isometric view from your 2-dimensional drawings in the direction of arrow E. Centre lines, dimensions and hidden detail are not required. | <input type="checkbox"/> | 3.1.1 |
| 14 | Include a title block on your drawing; this should include the scale, the title Widget , the dimension units, your name and today's date. | <input type="checkbox"/> | 1.3.1 |
| 15 | Save and plot (or print) the drawing. | <input type="checkbox"/> | 4.1.1 |

Permission to reproduce items where third-party owned material protected by copyright is included has been sought and cleared where possible. Every reasonable effort has been made by the publisher (UCLES) to trace copyright holders, but if any items requiring clearance have unwittingly been included, the publisher will be pleased to make amends at the earliest possible opportunity.

University of Cambridge International Examinations is part of the Cambridge Assessment Group. Cambridge Assessment is the brand name of University of Cambridge Local Examinations Syndicate (UCLES), which is itself a department of the University of Cambridge.