

UNIVERSITY OF CAMBRIDGE INTERNATIONAL EXAMINATIONS
Cambridge International Diploma in ICT
Standard Level

COMPUTER AIDED DESIGN

5195/A

Optional Module: Practical Assessment

2004

No Additional Materials are required

**1 hour
and 15 minutes reading time**

READ THESE INSTRUCTIONS FIRST

Candidates are permitted **15 minutes** reading time before attempting the paper.

Make sure that your name, centre number and candidate number are shown on each printout that you are asked to produce.

Carry out **every** instruction in each task.

Tasks are numbered on the left hand side of the page, so that you can see what to do, step by step. On the right hand side of the page for each task, you will find a box which you can tick (✓) when you have completed the task; this checklist will help you to track your progress through the assessment.

Before each printout you should proof-read the document to make sure that you have followed all instructions correctly.

At the end of the assignment put **all** your printouts into the Assessment Record Folder.

This document consists of **3** printed pages.

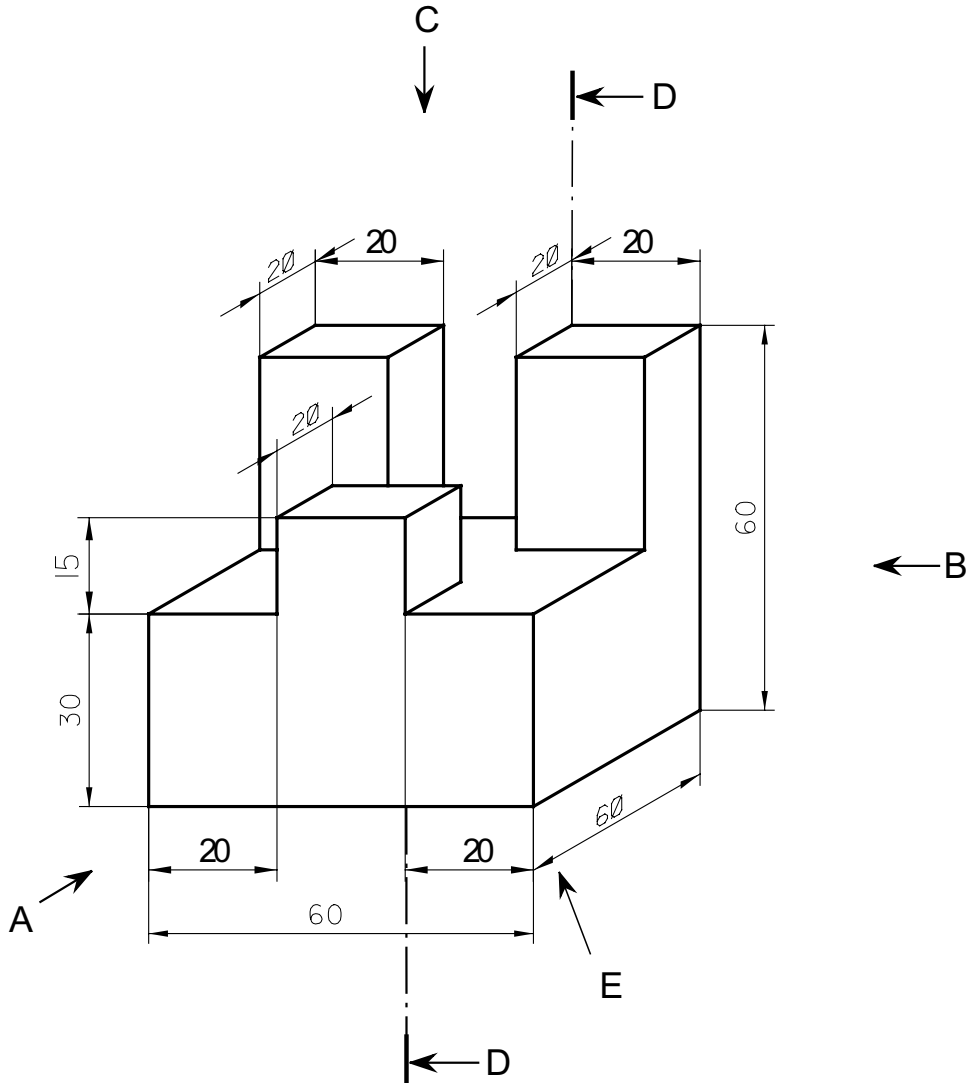
IB04 01_5195_A/3RP
© UCLES 2004



UNIVERSITY of CAMBRIDGE
International Examinations

[Turn over

Your manager has asked you to produce a working drawing for a widget. It should look like this:



- | | | | |
|---|--|-------------------------------------|----------------|
| 1 | Load your CAD program and set a 1:1 scale. | <input checked="" type="checkbox"/> | 1.1.1 |
| 2 | Set all units to millimetres. | <input type="checkbox"/> | 1.1.2 |
| 3 | Create a 5 millimetre grid. | <input type="checkbox"/> | 1.2.1 |
| 4 | Create a title block for your drawing; this should include the scale, the title Widget , the dimension units, your name and today's date. | <input type="checkbox"/> | 1.3.1 |
| 5 | Draw the front elevation of the widget in the direction of arrow A. | <input type="checkbox"/> | 2.1.1 2.2.1 |
| 6 | Draw the end elevation of the widget in the direction of arrow B. | <input type="checkbox"/> | 2.2.2 |
| 7 | Draw the plan of the widget in the direction of arrow C. | <input type="checkbox"/> | 2.2.3 |

- | | | | |
|----|--|-------------------------------------|-------|
| 8 | Show clearly the external dimension on all three views. | <input checked="" type="checkbox"/> | 2.5.1 |
| 9 | Save and plot (or print) the drawing. | <input type="checkbox"/> | 4.1.1 |
| 10 | Using the same scale, units and grid settings, draw a sectional view of the widget through D-D. | <input type="checkbox"/> | 2.3.1 |
| 11 | Show hidden detail on this view. Use hatching where appropriate. | <input type="checkbox"/> | 2.4.1 |
| 12 | Include a title block on your drawing; this should include the scale, the title Widget , the dimension units, your name and today's date. | <input type="checkbox"/> | 1.3.1 |
| 13 | Save and plot (or print) the drawing. | <input type="checkbox"/> | 4.1.1 |
| 14 | Produce an isometric view from your 2-dimensional drawings in the direction of arrow E. Centre lines and hidden detail are not required. | <input type="checkbox"/> | 3.1.1 |
| 15 | Include a title block on your drawing; this should include the scale, the title Widget , the dimension units, your name and today's date. | <input type="checkbox"/> | 1.3.1 |
| 16 | Save and plot (or print) the drawing. | <input type="checkbox"/> | 4.1.1 |

UNIVERSITY OF CAMBRIDGE INTERNATIONAL EXAMINATIONS
Cambridge International Diploma in ICT
Standard Level

COMPUTER AIDED DESIGN

5195/B

Optional Module: Practical Assessment

2004

No Additional Materials are required

**1 hour
and 15 minutes reading time**

READ THESE INSTRUCTIONS FIRST

Candidates are permitted **15 minutes** reading time before attempting the paper.

Make sure that your name, centre number and candidate number are shown on each printout that you are asked to produce.

Carry out **every** instruction in each task.

Tasks are numbered on the left hand side of the page, so that you can see what to do, step by step. On the right hand side of the page for each task, you will find a box which you can tick (✓) when you have completed the task; this checklist will help you to track your progress through the assessment.

Before each printout you should proof-read the document to make sure that you have followed all instructions correctly.

At the end of the assignment put **all** your printouts into the Assessment Record Folder.

This document consists of **3** printed pages.

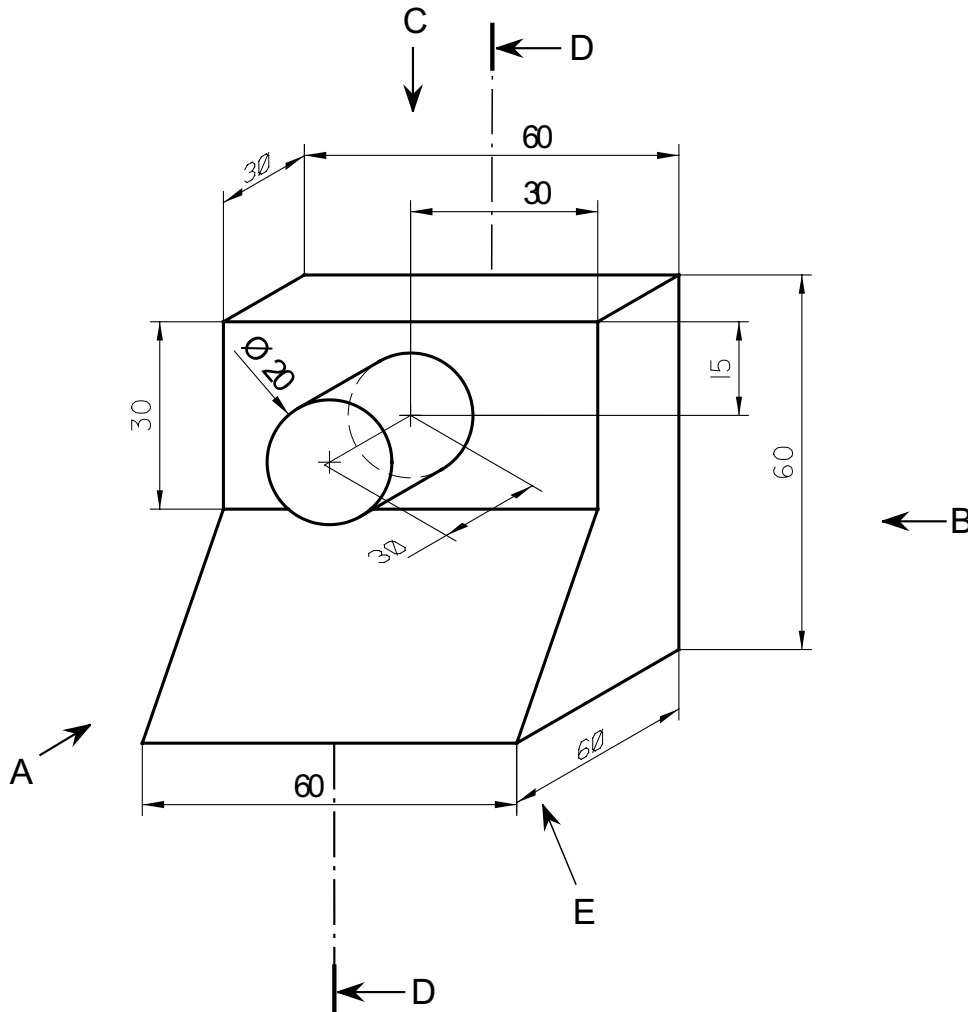
IB04 01_5195_B/3RP
© UCLES 2004



UNIVERSITY of CAMBRIDGE
International Examinations

[Turn over

Your manager has asked you to produce a working drawing for a widget. It should look like this:



- | | | | |
|---|--|-------------------------------------|----------------|
| 1 | Load your CAD program and set a 1:1 scale. | <input checked="" type="checkbox"/> | 1.1.1 |
| 2 | Set all units to millimetres. | <input type="checkbox"/> | 1.1.2 |
| 3 | Create a 5 millimetre grid. | <input type="checkbox"/> | 1.2.1 |
| 4 | Create a title block for your drawing; this should include the scale, the title Widget , the dimension units, your name and today's date. | <input type="checkbox"/> | 1.3.1 |
| 5 | Draw the front elevation of the widget in the direction of arrow A. | <input type="checkbox"/> | 2.1.1 2.2.1 |
| 6 | Draw the end elevation of the widget in the direction of arrow B. | <input type="checkbox"/> | 2.2.2 |
| 7 | Draw the plan of the widget in the direction of arrow C. | <input type="checkbox"/> | 2.2.3 |

- | | | | |
|----|--|-------------------------------------|-------|
| 8 | Show clearly the external dimension on all three views. | <input checked="" type="checkbox"/> | 2.5.1 |
| 9 | Save and plot (or print) the drawing. | <input type="checkbox"/> | 4.1.1 |
| 10 | Using the same scale, units and grid settings, draw a sectional view of the widget through D-D. | <input type="checkbox"/> | 2.3.1 |
| 11 | Show hidden detail on this view. Use hatching where appropriate. | <input type="checkbox"/> | 2.4.1 |
| 12 | Include a title block on your drawing; this should include the scale, the title Widget , the dimension units, your name and today's date. | <input type="checkbox"/> | 1.3.1 |
| 13 | Save and plot (or print) the drawing. | <input type="checkbox"/> | 4.1.1 |
| 14 | Produce an isometric view from your 2-dimensional drawings in the direction of arrow E. Centre lines and hidden detail are not required. | <input type="checkbox"/> | 3.1.1 |
| 15 | Include a title block on your drawing; this should include the scale, the title Widget , the dimension units, your name and today's date. | <input type="checkbox"/> | 1.3.1 |
| 16 | Save and plot (or print) the drawing. | <input type="checkbox"/> | 4.1.1 |