

CAMBRIDGE INTERNATIONAL EXAMINATIONS
Cambridge Career Award in Information and Communications Technology
Standard Level

COMPUTER AIDED DESIGN

5195/A

Optional Module: Practical Assessment

2003

1 hour

No Additional Materials are required.

READ THESE INSTRUCTIONS FIRST

Make sure that your name, Centre number and candidate number are shown on each printout that you are asked to produce.

Carry out **every** instruction in each task.

Tasks are numbered on the left hand side of the page, so that you can see what to do, step by step. On the right hand side of the page for each task you will find a box which you can tick (✓) when you have completed the task; this checklist will help you to track your progress through the assessment.

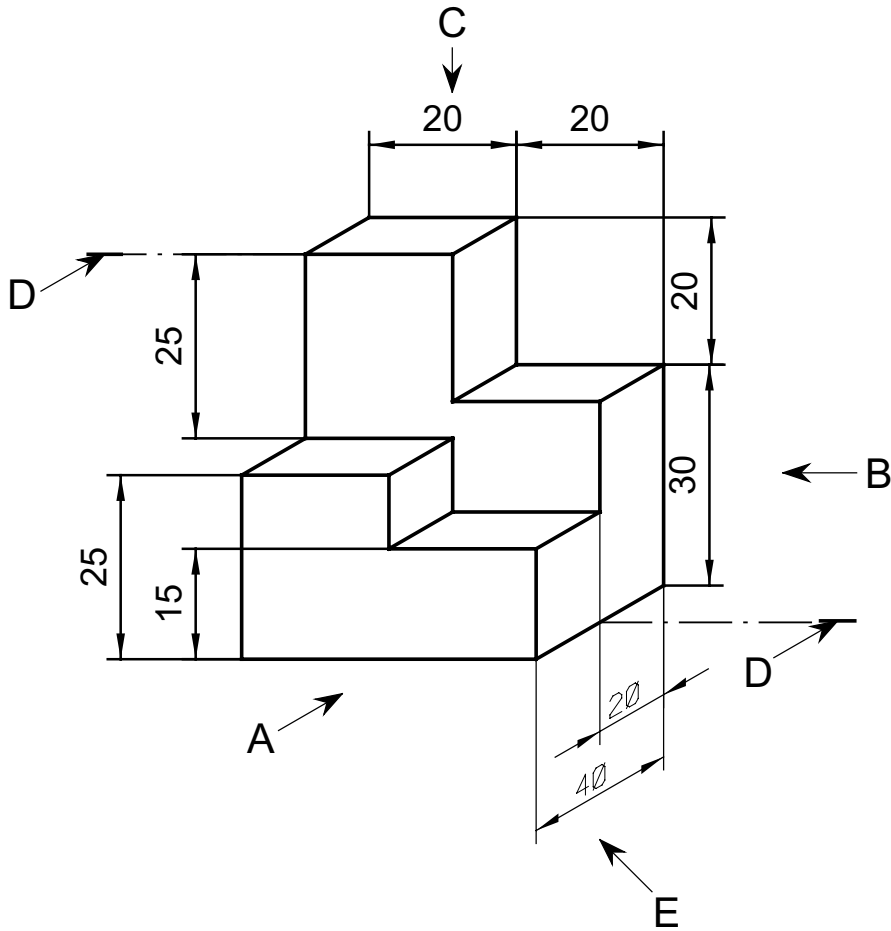
Before each printout you should proof-read the document to make sure that you have followed all instructions correctly.

At the end of the assessment put **all** your printouts into the Assessment Record Folder.

This document consists of **3** printed pages.



You work for a company called Food Chain. You need to produce a working drawing for a widget. It should look like this:



- | | | | |
|---|--|-------------------------------------|----------------|
| 1 | Load your CAD program and set a 1:1 scale. | <input checked="" type="checkbox"/> | 1.1.1 |
| 2 | Set all units to millimetres. | <input type="checkbox"/> | 1.1.2 |
| 3 | Create a 5 millimetre grid. | <input type="checkbox"/> | 1.2.1 |
| 4 | Create a title block for your drawing; this should include the scale, the title Widget , the dimension units, your name and today's date. | <input type="checkbox"/> | 1.3.1 |
| 5 | Draw the front elevation of the widget in the direction of arrow A. | <input type="checkbox"/> | 2.1.1
2.2.1 |
| 6 | Draw the end elevation of the widget in the direction of arrow B. | <input type="checkbox"/> | 2.2.2 |
| 7 | Draw the plan of the widget in the direction of arrow C. | <input type="checkbox"/> | 2.2.3 |

- | | | | |
|----|--|-------------------------------------|-------|
| 8 | Show clearly the external dimension on all three views. | <input checked="" type="checkbox"/> | 2.5.1 |
| 9 | Save and plot (or print) the drawing. | <input type="checkbox"/> | 4.1.1 |
| 10 | Using the same scale, units and grid settings, draw a sectional view of the widget through D-D. | <input type="checkbox"/> | 2.3.1 |
| 11 | Show hidden detail on this view. Use hatching where appropriate. | <input type="checkbox"/> | 2.4.1 |
| 12 | Include a title block on your drawing; this should include the scale, the title Widget , the dimension units, your name and today's date. | <input type="checkbox"/> | 1.3.1 |
| 13 | Save and plot (or print) the drawing. | <input type="checkbox"/> | 4.1.1 |
| 14 | Produce an isometric view from your 2-dimensional drawings in the direction of arrow E. Centre lines and hidden detail are not required. | <input type="checkbox"/> | 3.1.1 |
| 15 | Include a title block on your drawing; this should include the scale, the title Widget , the dimension units, your name and today's date. | <input type="checkbox"/> | 1.3.1 |
| 16 | Save and plot (or print) the drawing. | <input type="checkbox"/> | 4.1.1 |

CAMBRIDGE INTERNATIONAL EXAMINATIONS
Cambridge Career Award in Information and Communications Technology
Standard Level

COMPUTER AIDED DESIGN

5195/B

Optional Module: Practical Assessment

2003

1 hour

No Additional Materials are required.

READ THESE INSTRUCTIONS FIRST

Make sure that your name, Centre number and candidate number are shown on each printout that you are asked to produce.

Carry out **every** instruction in each task.

Tasks are numbered on the left hand side of the page, so that you can see what to do, step by step. On the right hand side of the page for each task you will find a box which you can tick (✓) when you have completed the task; this checklist will help you to track your progress through the assessment.

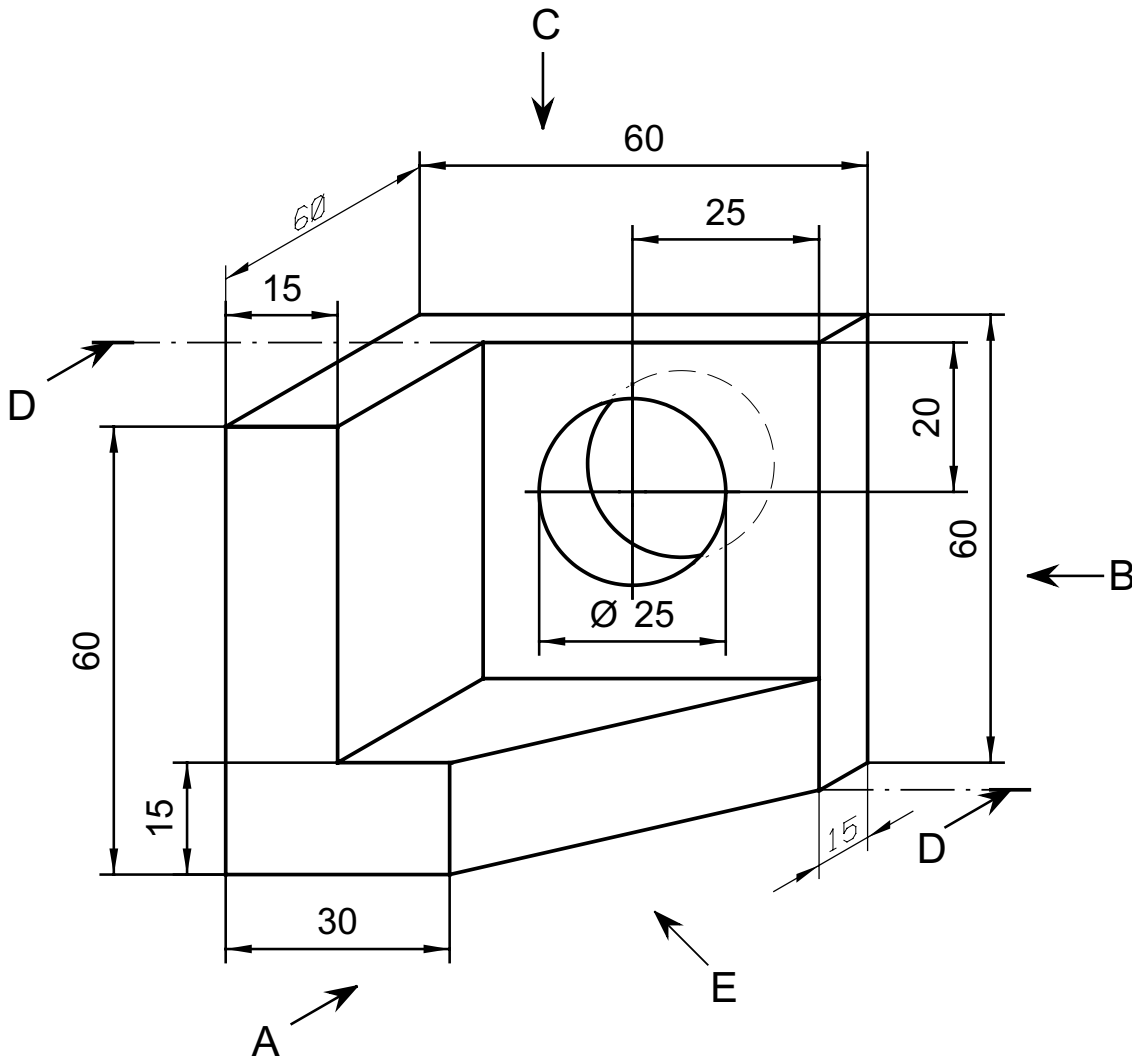
Before each printout you should proof-read the document to make sure that you have followed all instructions correctly.

At the end of the assessment put **all** your printouts into the Assessment Record Folder.

This document consists of **3** printed pages.



You work for an international company called Gem Export. You need to produce a working drawing for a bracket. It should look like this:



- | | | | |
|---|---|-------------------------------------|----------------|
| 1 | Load your CAD program and set a 1:1 scale. | <input checked="" type="checkbox"/> | 1.1.1 |
| 2 | Set all units to millimetres. | <input type="checkbox"/> | 1.1.2 |
| 3 | Create a 5 millimetre grid. | <input type="checkbox"/> | 1.2.1 |
| 4 | Create a title block for your drawing; this should include the scale, the title Bracket , the dimension units, your name and today's date. | <input type="checkbox"/> | 1.3.1 |
| 5 | Draw the front elevation of the bracket in the direction of arrow A. | <input type="checkbox"/> | 2.1.1
2.2.1 |
| 6 | Draw the end elevation of the bracket in the direction of arrow B. | <input type="checkbox"/> | 2.2.2 |
| 7 | Draw the plan of the bracket in the direction of arrow C. | <input type="checkbox"/> | 2.2.3 |

- | | | | |
|----|---|-------------------------------------|----------------|
| 8 | Show clearly the external dimension over all three views. Show the centre lines for the circular hole and any hidden detail. | <input checked="" type="checkbox"/> | 2.4.1
2.5.1 |
| 9 | Save and plot (or print) the drawing. | <input type="checkbox"/> | 4.1.1 |
| 10 | Using the same scale, units and grid settings, draw a sectional view of the bracket through D-D. | <input type="checkbox"/> | 2.3.1 |
| 11 | Use hatching where appropriate. | <input type="checkbox"/> | 2.4.1 |
| 12 | Include a title block on your drawing; this should include the scale, the title Bracket , the dimension units, your name and today's date. | <input type="checkbox"/> | 1.3.1 |
| 13 | Save and plot (or print) the drawing. | <input type="checkbox"/> | 4.1.1 |
| 14 | Generate an isometric view from your 2-dimensional drawings in the direction of arrow E. Centre lines and hidden detail are not required. | <input type="checkbox"/> | 3.1.1 |
| 15 | Include a title block on your drawing; this should include the scale, the title Bracket , the dimension units, your name and today's date. | <input type="checkbox"/> | 1.3.1 |
| 16 | Save and plot (or print) the drawing. | <input type="checkbox"/> | 4.1.1 |

CAMBRIDGE INTERNATIONAL EXAMINATIONS
Cambridge Career Award in Information and Communications Technology
Standard Level

COMPUTER AIDED DESIGN

5195/C

Optional Module: Practical Assessment

2003

1 hour

No Additional Materials are required.

READ THESE INSTRUCTIONS FIRST

Make sure that your name, Centre number and candidate number are shown on each printout that you are asked to produce.

Carry out **every** instruction in each task.

Tasks are numbered on the left hand side of the page, so that you can see what to do, step by step. On the right hand side of the page for each task you will find a box which you can tick (✓) when you have completed the task; this checklist will help you to track your progress through the assessment.

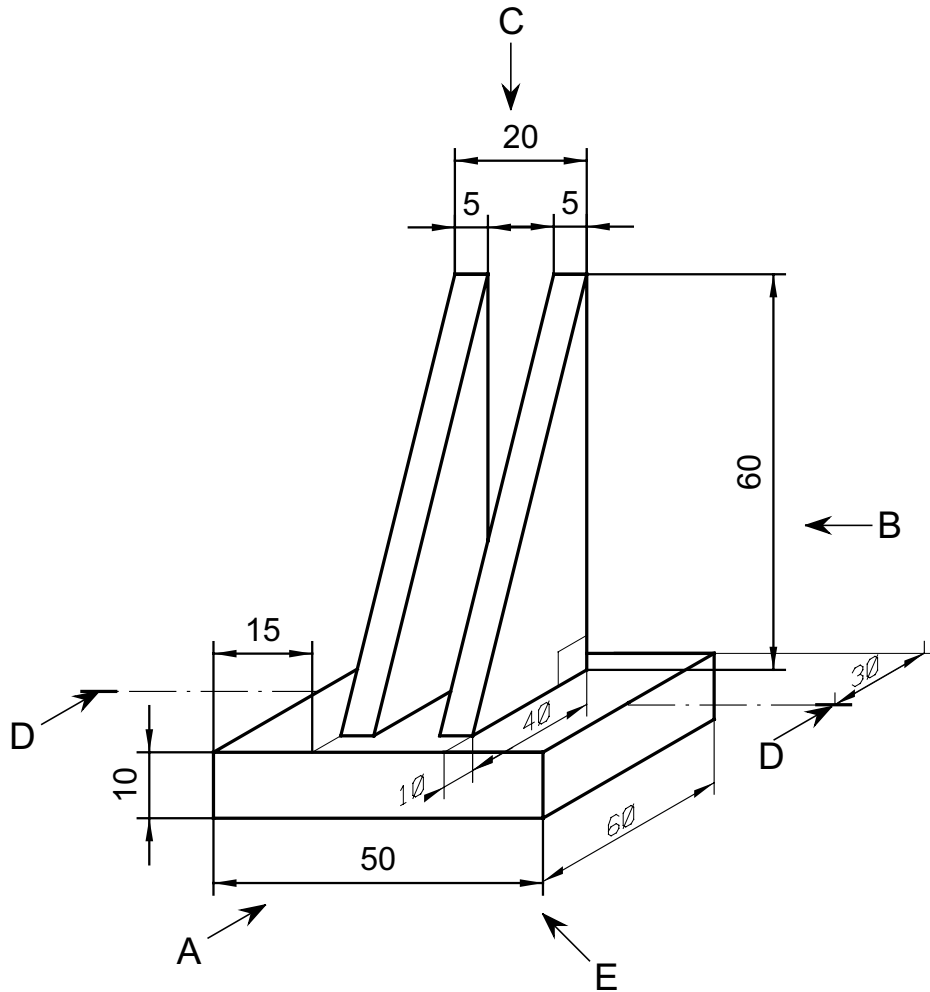
Before each printout you should proof-read the document to make sure that you have followed all instructions correctly.

At the end of the assessment put **all** your printouts into the Assessment Record Folder.

This document consists of **3** printed pages.



You work for a company called Argon Hire. You need to produce a working drawing for a bracket. It should look like this:



- | | | | |
|---|---|-------------------------------------|----------------|
| 1 | Load your CAD program and set a 1:1 scale. | <input checked="" type="checkbox"/> | 1.1.1 |
| 2 | Set all units to millimetres. | <input type="checkbox"/> | 1.1.2 |
| 3 | Create a 5 millimetre grid. | <input type="checkbox"/> | 1.2.1 |
| 4 | Create a title block for your drawing; this should include the scale, the title Bracket , the dimension units, your name and today's date. | <input type="checkbox"/> | 1.3.1 |
| 5 | Draw the front elevation of the bracket in the direction of arrow A. | <input type="checkbox"/> | 2.1.1
2.2.1 |
| 6 | Draw the end elevation of the bracket in the direction of arrow B. | <input type="checkbox"/> | 2.2.2 |
| 7 | Draw the plan of the bracket in the direction of arrow C. | <input type="checkbox"/> | 2.2.3 |

- | | | | |
|----|---|-------------------------------------|-------|
| 8 | Show clearly the external dimension on all three views. | <input checked="" type="checkbox"/> | 2.5.1 |
| 9 | Save and plot (or print) the drawing. | <input type="checkbox"/> | 4.1.1 |
| 10 | Using the same scale, units and grid settings, draw a sectional view of the bracket through D-D. | <input type="checkbox"/> | 2.3.1 |
| 11 | Use hatching where appropriate. | <input type="checkbox"/> | 2.4.1 |
| 12 | Include a title block on your drawing; this should include the scale, the title Bracket , the dimension units, your name and today's date. | <input type="checkbox"/> | 1.3.1 |
| 13 | Save and plot (or print) the drawing. | <input type="checkbox"/> | 4.1.1 |
| 14 | Produce an isometric view from your 2-dimensional drawings in the direction of arrow E. Centre lines and hidden detail are not required. | <input type="checkbox"/> | 3.1.1 |
| 15 | Include a title block on your drawing; this should include the scale, the title Bracket , the dimension units, your name and today's date. | <input type="checkbox"/> | 1.3.1 |
| 16 | Save and plot (or print) the drawing. | <input type="checkbox"/> | 4.1.1 |